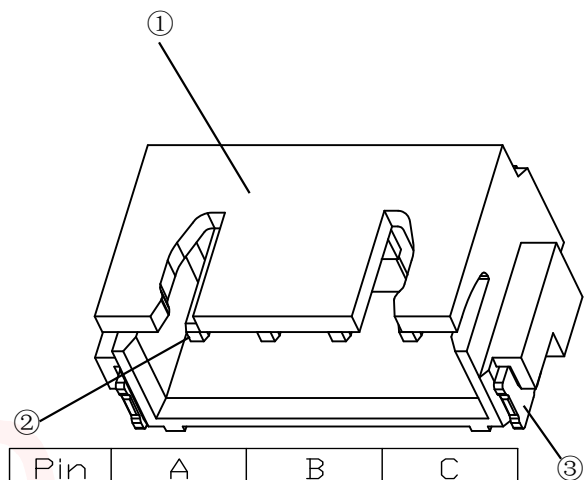
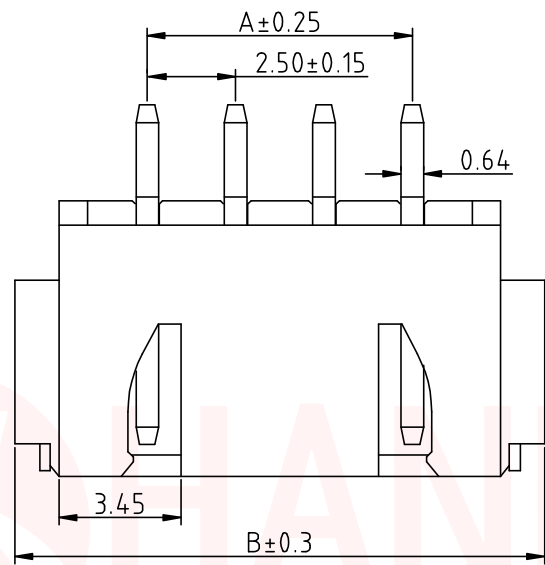
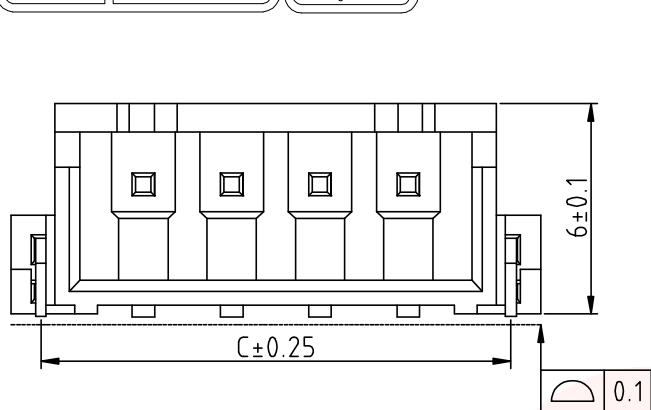
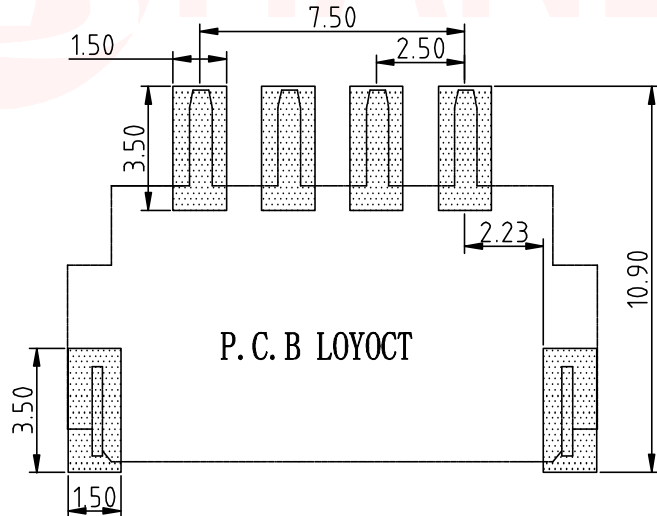
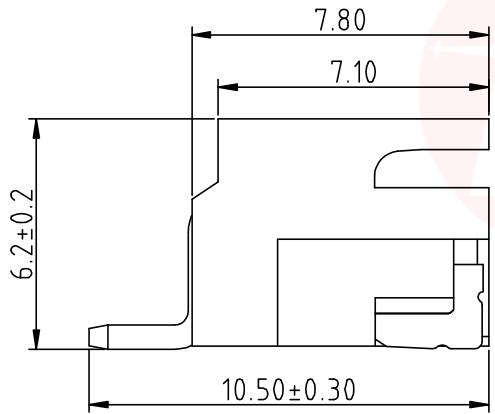




REV.	ECN NO OR DESCRIPTION	REVISED	DATE



Pin	A	B	C
2A	2.50	10.00	8.30
3A	5.00	12.50	10.80
4A	7.50	15.00	13.30
5A	10.00	17.50	15.80
6A	12.50	20.00	18.30
7A	15.00	22.50	20.80
8A	17.50	25.00	23.30
9A	20.00	27.50	25.80
10A	22.50	30.00	28.30
11A	25.00	32.50	30.80
12A	27.50	35.00	33.30
13A	30.00	37.50	35.80
14A	32.50	40.00	38.30
15A	35.00	42.50	40.80
16A	37.50	45.00	43.30



技术参数
 间距: 2.5
 温度范围: -25~+85°C
 额定电压: 250V AC, DC
 额定电流: 3.0A AC, DC
 接触电阻: 20mΩ
 绝缘电阻: 800MΩ
 耐压: 500V AC/minute

UNLESS OTHERWISE SPECIFIED TOLERANCES

DECIMALS: X ±0.20 X.X ±0.10 X.XX ±0.05

ANGLES: X ±2° X.X ±1°

TITLE: WAFER 针座 XH 2.54卧贴

DWN xiong PART NO. WAFER-254W-NA

CHKD lee SCALE:1:1 UNIT: mm

APVD wang SIZE: A4 SHEET:10F 1 REV: A4

CUSTOMER COPY

东莞市汉博电子科技有限公司
DONGGUAN HANBO TECHNOLOGY CO., LTD