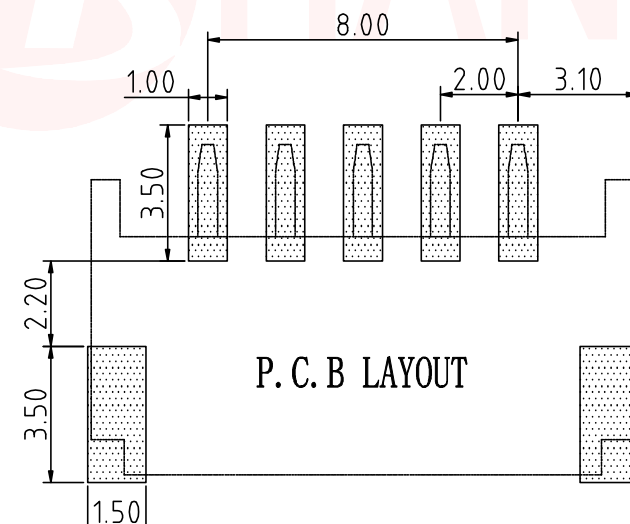
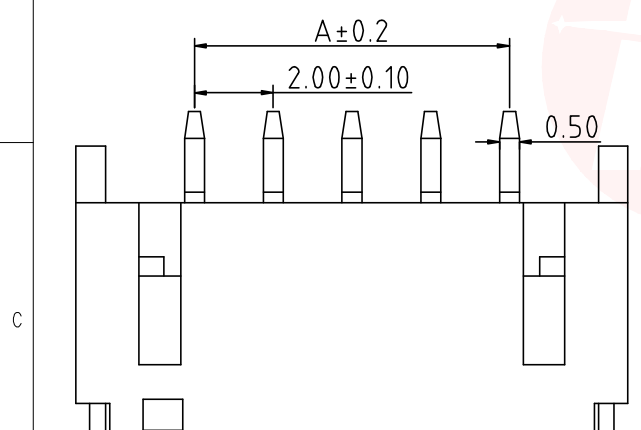
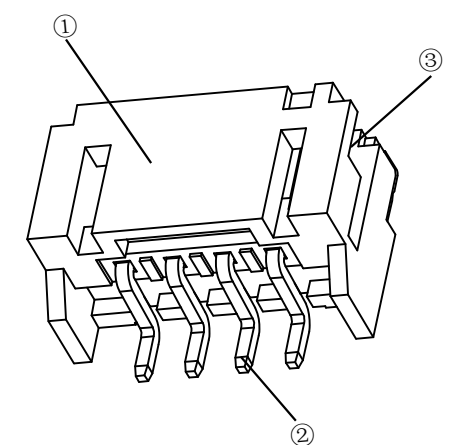
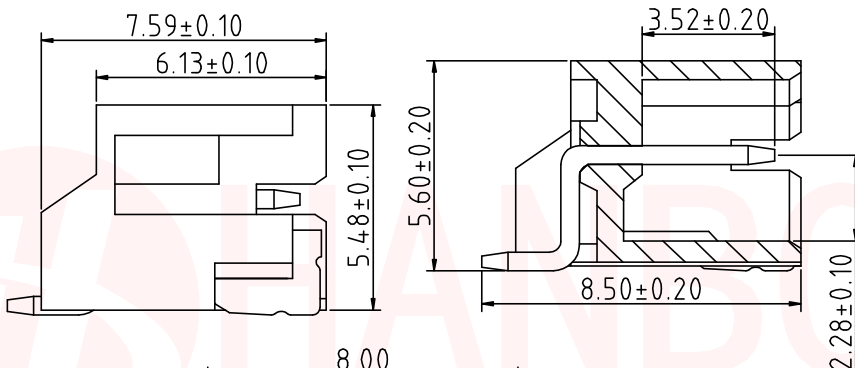
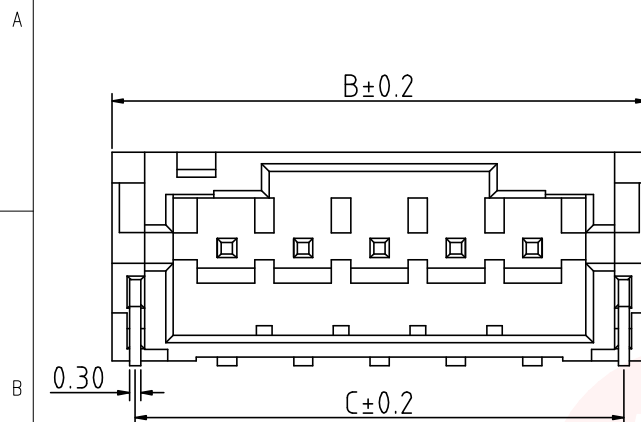




REV.	ECN NO OR DESCRIPTION	REVISED	DATE



Pin	A	B	C
2A	2.00	8.00	6.80
3A	4.00	10.00	8.80
4A	6.00	12.00	10.80
5A	8.00	14.00	12.80
6A	10.00	16.00	14.80
7A	12.00	18.00	16.80
8A	14.00	20.00	18.80
9A	16.00	22.00	20.80
10A	18.00	24.00	22.80
11A	20.00	26.00	24.80
12A	22.00	28.00	26.80
13A	24.00	30.00	28.80
14A	26.00	32.00	30.80
15A	28.00	34.00	32.80
16A	30.00	36.00	34.80

技术参数
 间距: 2.0
 温度范围: -25~+85°C
 额定电压: 250V AC, DC
 额定电流: 2.0A AC, DC
 接触电阻: 20mΩ
 绝缘电阻: 800MΩ
 耐压: 500V AC/minute

UNLESS OTHERWISE SPECIFIED TOLERANCES

DECIMALS: X :±0.20 X.X :±0.10 X.XX :±0.05

ANGLES: X :±2° X.X :±1°

东莞市汉博电子科技有限公司
 DONGGUAN HANBO TECHNOLOGY CO., LTD

TITLE	WAFER 针座 PH 2.0 贴片			
DWN	xiong	PART NO. WAFER-200W-NA		
CHKD	lee	SCALE:1:1	UNIT: mm	
APVD	wang	SIZE: A4	SHEET:10F 1	REV: A4
CUSTOMER COPY				