

编号	SCTF2022LC928
日期	2022/9/24
版本	B01

# 承认书

## SPECIFICATION FOR APPROVAL

客户名称 Customer Name:	立创商城
供应商物料名称 Part Name:	压控石英晶体振荡器
产品描述 Description:	SMD3225 28.224MHz/3.3V
供应商物料料号 Part NO.:	SX3V28.224B20100F30TNN
供应商名称 Supplier Name :	深圳市星通时频电子有限公司

PLEASE CONFIRM OUR SPECIFICATION. 敬请确认规格书之内容。

CUSTOMER APPROVAL 客户审批		
物料代号 PART NO. _____		
使用于机型 USED IN MODEL: _____		
工程部	品质部	采购部

(敬请承认后返回一份, 谢谢!)

SUPPLIER APPROVAL 供应商审批		
DGN.制表人	CKD. 校对	APPD. 审核、签章
吴丽红	李良	胡华才

地址: 深圳市南山区龙珠四路方大城T2栋10楼

Add: 10 / F, Building T2, Fangdacheng, Longzhu 4th Road, Nanshan District, Shenzhen, China.

Website: www.sctf-crystal.com

Email: info@sctf-crystal.com

TEL: 0755-86097430

FAX: 0755-86097259

Page: 1



## ■ Electrical Specification 电气参数

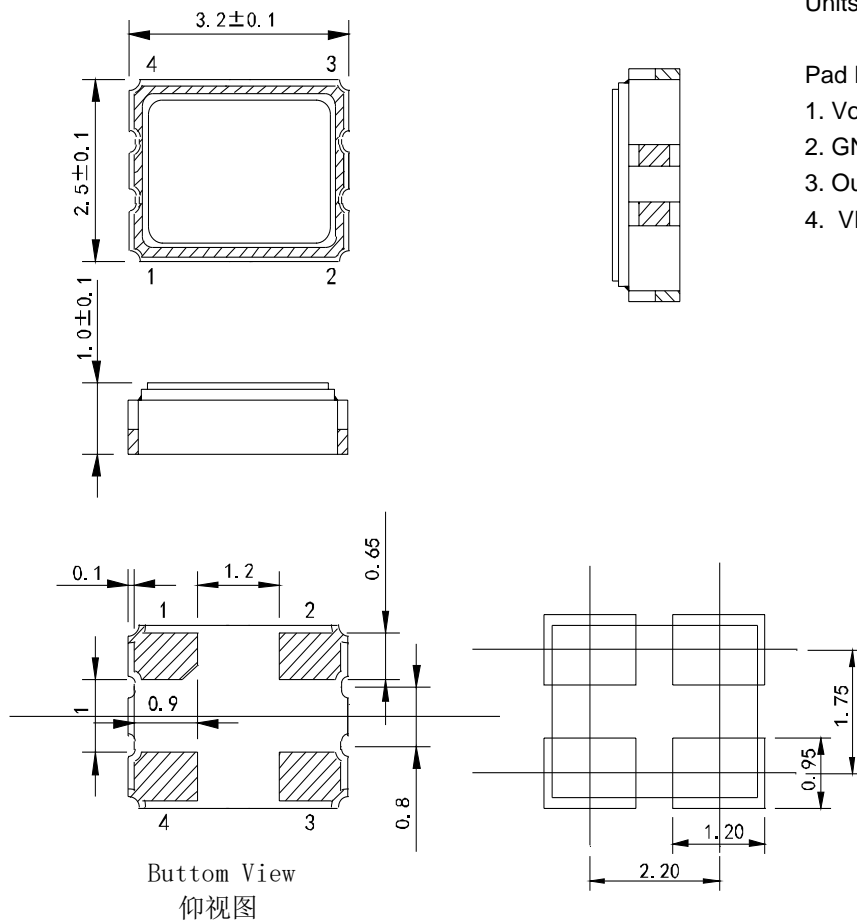
N0.	Item	Electrical Spec.	Notes
1	Holder Type 封装	SMD3225	
2	Nominal Frequency 标称频率	28.224000 MHz	
3	Operating voltage 工作电压	3.3V	±10% max.
4	Output 输出模式	CMOS	
5	Output load condition 负载	15pF	
6	Frequency stability (Overall) 总频率偏差	±50ppm	Frequency stability includes frequency tolerance @25 °C and frequency stability vs. operating temperature range and voltage variance and first year aging.
7	Current consumption 消耗电流	10 mA max.	
8	Pulling Range 牵引范围	±100ppm min.	
9	Absolute Pull Range (APR) 绝对牵引范围	±50ppm min.	
10	Center Voltage 压控中心电压	1.65V	
11	Control Voltage Range 控制电压范围	0.3V~3V	
12	Linearity 线性度	10% max.	
13	Modulation Band Width 调制带宽	15KHz min.	
14	VC Input Impedance 压控端输入电阻	5 MΩ min.	
15	Duty Cycle 占空比	45%-55%	
16	Rise / Fall Time 上升/下降沿时间	5 nS max.	
17	High output voltage 高电平	0.9Vdd min.	
18	Low output voltage 低电平	0.1Vdd max.	
19	Start-up Time 起振时间	2mS max.	To 90% of Final Amplitude
20	Enable Delay Time 使能延迟	2 mS max.	
21	Operating Temperature range 工作温度范围	-40~85°C	
22	Storage Temperature Range 存储温度范围	-55~125°C	
23	Aging 老化	±3ppm	1st. Year at 25°C

SHENZHEN SCTF ELECTRONICS CO., LTD

DATE	Voltage controlled quartz crystal oscillator 压控石英晶体振荡器规格书	Page:
2022/9/24	P/N: SX3V28.224B20100F30TNN Spec.NO.: SCTF2022LC928	3

## ■ DIMENSIONS 产品尺寸

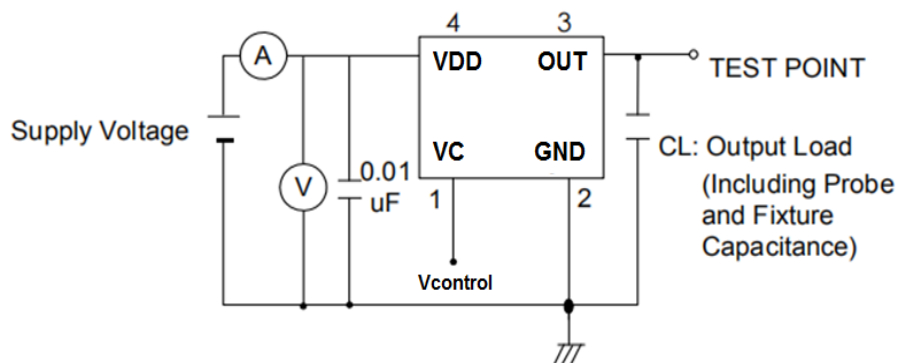
Units (单位): mm(毫米)



Pad Functions:

1. Voltage control
2. GND
3. Output
4. VDD

## ■ TESTING CIRCUIT 测试电路



※ Notes: Test point load should include stray and probe capacitance.

SHENZHEN SCTF ELECTRONICS CO. , LTD

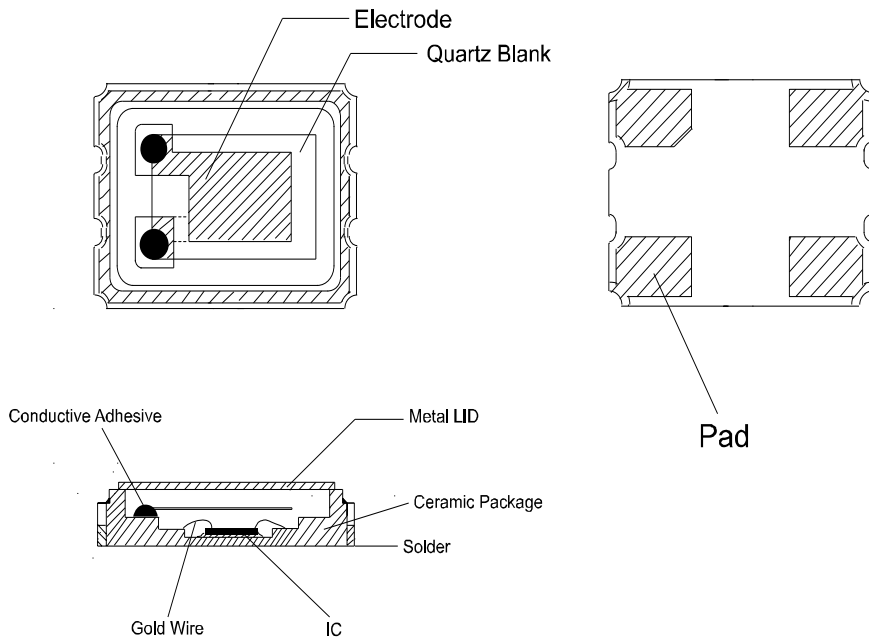
DATE	Voltage controlled quartz crystal oscillator 压控石英晶体振荡器规格书	Page:
2022/9/24	P/N: SX3V28.224B20100F30TNN Spec.NO.: SCTF2022LC928	4

■ **WAVEFORM CONDITIONS** 输出波形

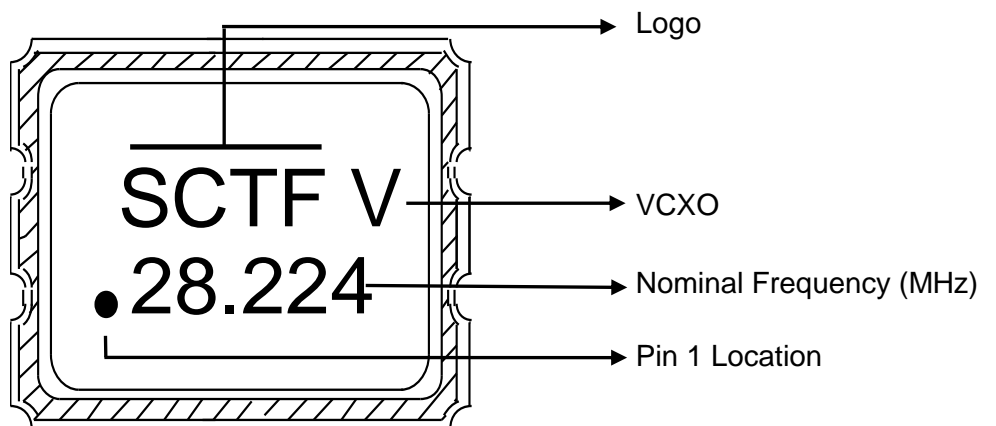


Waveform measurement system should have a min. bandwidth of 5 times the frequency being tested.

◆ **Product Structure** 产品结构



◆ **Marking** 印字



<b>SHENZHEN SCTF ELECTRONICS CO. , LTD</b>		
<b>DATE</b>	<b>Voltage controlled quartz crystal oscillator</b> 压控石英晶体振荡器规格书	<b>Page:</b>
2022/9/24	P/N: SX3V28.224B20100F30TNN Spec.NO.: SCTF2022LC928	5

◆ REFLOW PROFILES 回流焊条件

Profile Feature	Sn-Pb Eutectic Assembly	Pb-Free Assembly
Preheat/Soak		
●Temperature Min(Ts min)	100 °C	150 °C
●Temperature Max (Ts max)	150 °C	200 °C
●Time (Ts min to Ts max)	60-120 seconds	60-120 seconds
Ramp-up rate (TL to Tp)	3 °C/second max.	3 °C/second max.
Time maintained above		
●Liquidous temperature (TL)	183 °C	217 °C
●Time (tL) maintained above TL	60-150 seconds	60-150 seconds
Peak package body temperature (Tp)	235 °C	260 °C
Time within 5 °C of the specified classification temperature (Tp)	20 seconds	30 seconds
Ramp-down rate (Tp to TL)	6 °C/second max.	6 °C/second max.
Time 25 °C to peak temperature	6 minutes max.	8 minutes max.
<b>Suggust reflow times</b>	<b>3 Times max.</b>	



SHENZHEN SCTF ELECTRONICS CO. , LTD		
DATE	Voltage controlled quartz crystal oscillator 压控石英晶体振荡器规格书	Page:
2022/9/24	P/N: SX3V28.224B20100F30TNN Spec.NO.: SCTF2022LC928	6

◆ RELIABILITY SPECIFICATION 可靠性参数

序号 NO.	项目 ITEM	条件 CONDITIONS	合格标准 BASIS OF VERDICT
1	跌落 DROP	75cm高处自由跌落到3cm厚木板上,3次 High:75cm;Thickness:3cm;3 times.	$\Delta FL \leq \pm 5 \text{ppm}$ (Center Voltage 1.65V)
2	振动 VIBRATION	频率 Frequency:10~57.7Hz;幅度 Amplitude: $\pm 0.75 \text{mm}$ 频率Frequency:57.7Hz~500Hz;加速度幅度acceleration rate:98m/s <sup>2</sup> 周期 Cycle time:10-500-10Hz: 15min 振动方向 Direction:X,Y, Z 振动时间 Duration: 每个方向2小时 2 h/direction.	$\Delta FL \leq \pm 5 \text{ppm}$ (Center Voltage 1.65V)
3	温度变化 TEMPERATURE SHOCK	-40°C $\pm 2^\circ\text{C}$ (30min) $\leftrightarrow$ 85°C $\pm 2^\circ\text{C}$ (30min);循环10 次 -40°C $\pm 2^\circ\text{C}$ (30min) $\leftrightarrow$ 85°C $\pm 2^\circ\text{C}$ (30min);For 10	$\Delta FL \leq \pm 5 \text{ppm}$ (Center Voltage 1.65V)
4	湿热 HUMIDITY	温度:40°C $\pm 2^\circ\text{C}$ ;湿度90-95%;时间:96小时 Temp:40°C $\pm 2^\circ\text{C}$ ;Humidity:90-95%;Times:96h	$\Delta FL \leq \pm 5 \text{ppm}$ (Center Voltage 1.65V)
5	低温 COLD RESISTANCE	温度:-40°C $\pm 2^\circ\text{C}$ ;时间:96小时 Temp:-40°C $\pm 2^\circ\text{C}$ ;Times:96h	$\Delta FL \leq \pm 5 \text{ppm}$ (Center Voltage 1.65V)
6	高温1 HEAT RESISTANCE 1	温度:100°C $\pm 2^\circ\text{C}$ ;时间:96小时 Temp:100°C $\pm 2^\circ\text{C}$ ;Times:96h	$\Delta FL \leq \pm 5 \text{ppm}$ (Center Voltage 1.65V)
7	高温2 HEAT RESISTANCE 2	温度:155°C $\pm 2^\circ\text{C}$ ;时间:2小时 Temp:155°C $\pm 2^\circ\text{C}$ ;Times:2h	$\Delta FL \leq \pm 5 \text{ppm}$ (Center Voltage 1.65V)
8	高温3 HEAT RESISTANCE 3	温度:85°C $\pm 2^\circ\text{C}$ ;电压:3.3V/5.0V;时间:96小时 Temp:85°C $\pm 2^\circ\text{C}$ ;Voltage:3.3V/5.0V;Times:96h	$\Delta FL \leq \pm 5 \text{ppm}$ (Center Voltage 1.65V)
9	回流焊 REFLOW	150°C $\pm 5^\circ\text{C}$ 保持120s后升到270°C $\pm 5^\circ\text{C}$ 保持10s, 升温 和保温时间小于200s, 常温放置1~2h后测定 Keep 150 °C $\pm$ 5 °C 120s and then rose to 270 °C $\pm$ 5 °C for 10s, warming and holding time is less than the 200s, placed at room temperature 1 ~ 2h after test	$\Delta FL \leq \pm 5 \text{ppm}$ (Center Voltage 1.65V)
10	盐雾 SALT SPRAY	盐雾浓度:5%;温度:35°C;时间:24小时 Salt density:5%;Temp:35°C;Times:24h	目测无明显腐蚀现象 Visual no significant corrosion.
11	老化 AGING	温度:85°C;时间:30天 Temp:85°C;Times:30days	$\Delta FL \leq \pm 5 \text{ppm}$ (Center Voltage 1.65V)
12	气密性 LEAKAGE	氦气(0.6~0.65MPa):10分钟 He(0.6~0.65MPa):10min	$\leq 3 \times 10^{-9} \text{Pa} \cdot \text{m}^3/\text{s}$
13	焊接 SOLDER	温度:260°C $\pm 5^\circ\text{C}$ Temp:260°C $\pm 5^\circ\text{C}$	浸锡率大于90% Soldering tin rate greater than 90%

SHENZHEN SCTF ELECTRONICS CO. , LTD

DATE	Voltage controlled quartz crystal oscillator 压控石英晶体振荡器规格书	Page:
2022/9/24	P/N: SX3V28.224B20100F30TNN Spec.NO.: SCTF2022LC928	7

## ■ Taping Specifications

UNIT(单位):mm(毫米)

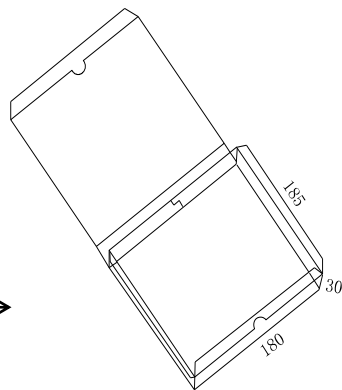


TEYE	A	B	C	D	E	F	G	H	I	J	K	L	M	N	O
3.2×2.5 SMD	0.25	3.60	1.30	8.00	3.50	2.90	4.00	4.00	2.00	1.50	2.00	4.00	13.00	60.00	180.00

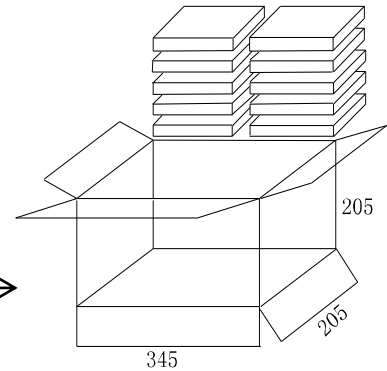
## ■ Packaging specifications



自封袋(Bag)  
3000只 = 1 轮  
3000pcs = 1 Reel



内包装(Inside package)  
1 轮=1 盒  
1 Reel=1 box



外包装(Outside Package )  
10 盒=1 箱  
10 box=1 carton

SHENZHEN SCTF ELECTRONICS CO. , LTD

DATE

Specification of quartz crystal oscillator  
石英晶体振荡器规格书

Page:

2022/9/24

P/N: SX3V28.224B20100F30TNN  
Spec.NO.: SCTF2022LC928

8