

SuperDiode – 150mA, 150mW, 75V SOD-523 Fast Switching Diode

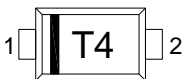
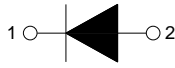
1. Features

- Fast switching device ($T_{rr} < 4ns$)
- Power dissipation of 150mW
- High stability and high reliability
- Low reverse leakage

2. Mechanical Data

- SOD-523 Small Outline Plastic Package
- Polarity: Color band denotes cathode end
- Mounting Position: Any

3. Marking and Circuit

Marking	Circuit
	

4. Specification

Absolute Maximum Rating & Thermal Characteristics

Ratings at 25 °C ambient temperature unless otherwise specified.

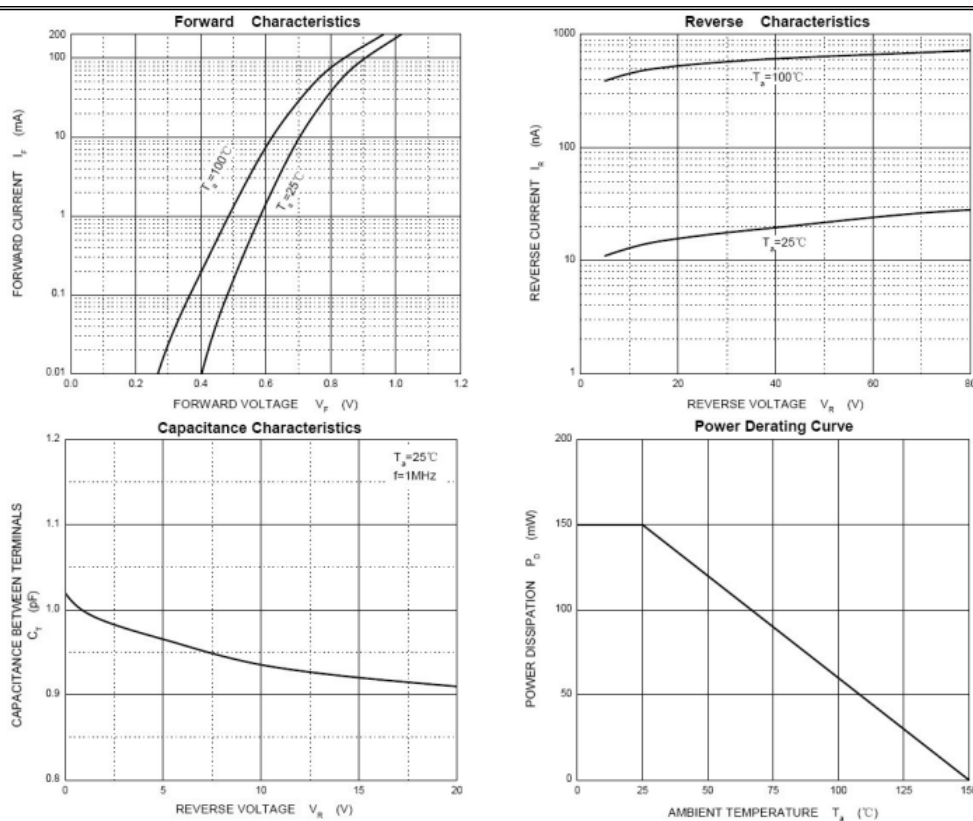
Parameters	Symbol	Value	Unit
Reverse Voltage	V_R	75	V
Peak Reverse Voltage	V_{RM}	100	V
Power Dissipation	P_D	150	mW
Operating junction temperature	T_J	150	°C
Storage temperature range	T_S	-55~150	°C
Thermal Resistance from Junction to Ambient	$R_{\theta JA}$	833	°C/W
Working Inverse Voltage	W_{IV}	75	V
Average Rectified Current	I_O	150	mA
Non-repetitive Peak Forward Current	I_{FM}	300	mA
Peak Forward Surge Current@ $t_p=1\mu s$	I_{FSM}	2.0	A

Valid provided that electrodes are kept at ambient temperature

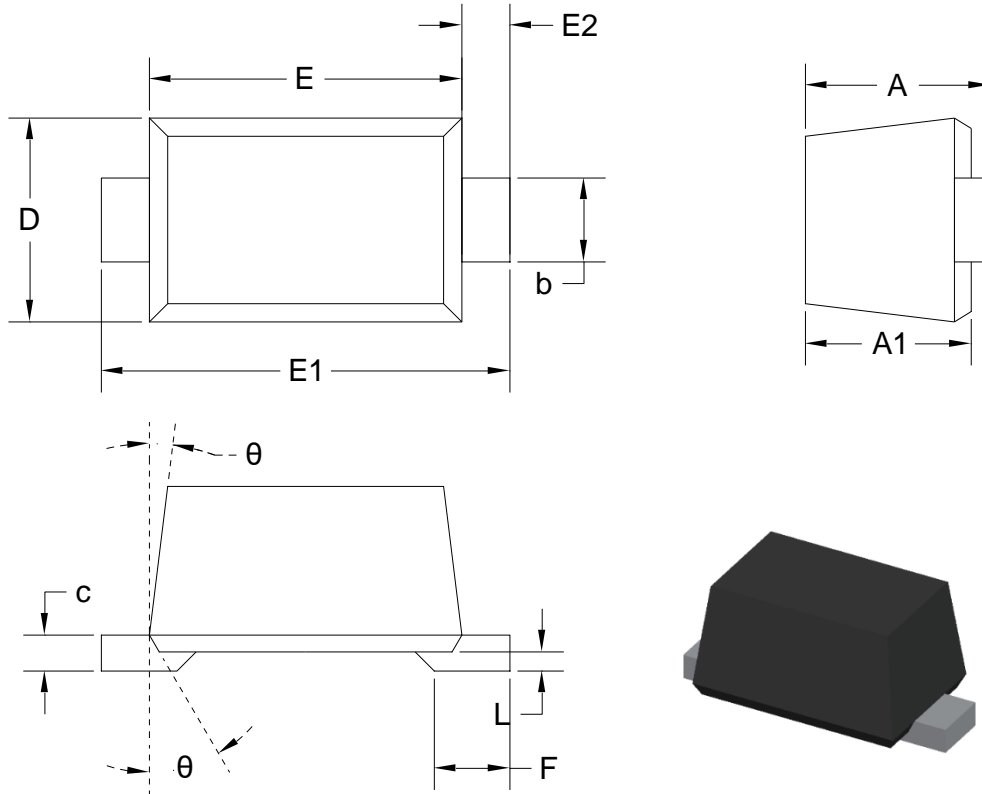
Electrical Characteristics (At TA = 25°C unless otherwise specified)

Symbols	Parameter	Test Condition	Limits		Unit
			Min	Max	
V _{RB}	Reverse Breakdown Voltage	I _R =100uA	100		V
		I _R =5uA	75		
I _R	Reverse Leakage Current	V _R =20V		25	nA
		V _R =75		1	uA
V _F	Forward Voltage	I _F =1.0mA		0.715	V
		I _F =10mA		0.855	
		I _F =50mA		1.00	
		I _F =150mA		1.25	
T _{RR}	Reverse Recovery Time	I _F = I _R =10mA		4	ns
		R _L =100Ω			
		I _{RR} =0.1 X I _R			
C _T	Junction Capacitance	V _R =0V, f=1MHZ		2	pF

5. Typical Characteristic

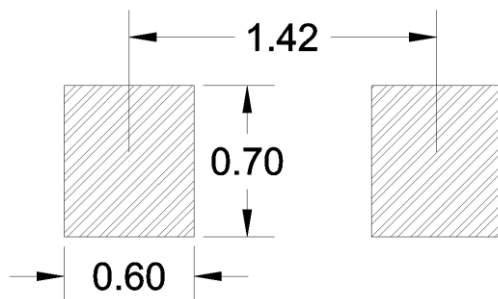


6. Dimension and Patterns (SOD-523)



Units: mm

Unit	A	A1	b	c	D	E	E1	E2	L	θ
Max.	0.77	0.70	0.35	0.15	0.85	1.30	1.70	0.20	0.07	7°
Min.	0.51	0.50	0.25	0.08	0.75	1.10	1.50	REF.	0.01	REF.



Note:

1. Controlling dimension: in millimeters
2. General tolerance: $\pm 0.05\text{mm}$
3. The pad layout is for reference only
4. Unit: mm

DISCLAIMER

ELECSUPER PROVIDES TECHNICAL AND RELIABILITY DATA (INCLUDING DATASHEETS), DESIGN RESOURCES (INCLUDING REFERENCE DESIGNS), APPLICATION OR OTHER DESIGN ADVICE, SAFETY INFORMATION, AND OTHER RESOURCES "AS IS" AND WITH ALL FAULTS, AND DISCLAIMS ALL WARRANTIES, EXPRESS AND IMPLIED, INCLUDING WITHOUT LIMITATION ANY IMPLIED WARRANTIES OF MERCHANTABILITY, FITNESS FOR A PARTICULAR PURPOSE OR NON-INFRINGEMENT OF THIRD PARTY INTELLECTUAL PROPERTY RIGHTS.

These resources are intended for skilled developers designing with ElecSuper products. You are solely responsible for

- (1) selecting the appropriate ElecSuper products for your application;
- (2) designing, validating and testing your application;
- (3) ensuring your application meets applicable standards, and any other safety, security, or other requirements.

These resources are subject to change without notice. ElecSuper grants you permission to use these resources only for development of an application that uses the ElecSuper products described in the resource. Other reproduction and display of these resources are prohibited. No license is granted to any other ElecSuper intellectual property right or to any third party intellectual property right. ElecSuper disclaims responsibility for, and you will fully indemnify ElecSuper and its representatives against, any claims, damages, costs, losses, and liabilities arising out of your use of these resources. ElecSuper's products are provided subject to ElecSuper's Terms of Sale or other applicable terms available either on www.elecsuper.com or provided in conjunction with such ElecSuper products. ElecSuper's provision of these resources does not expand or otherwise alter ElecSuper's applicable warranties or warranty disclaimers for ElecSuper products.