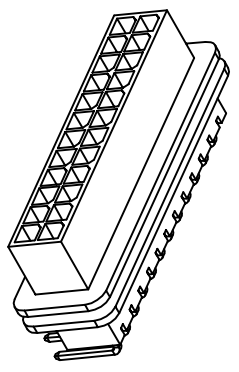
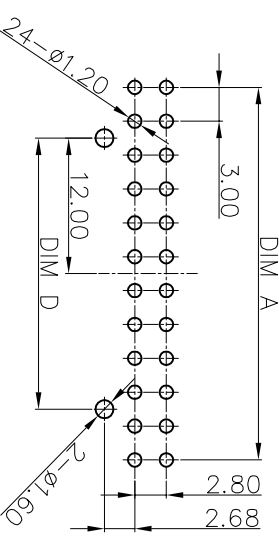
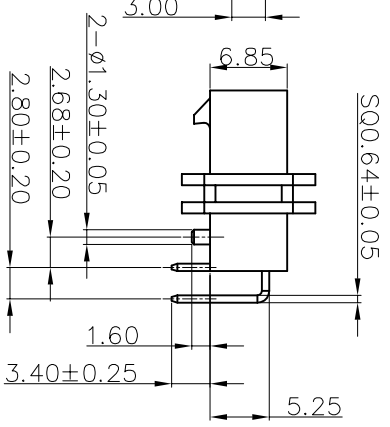
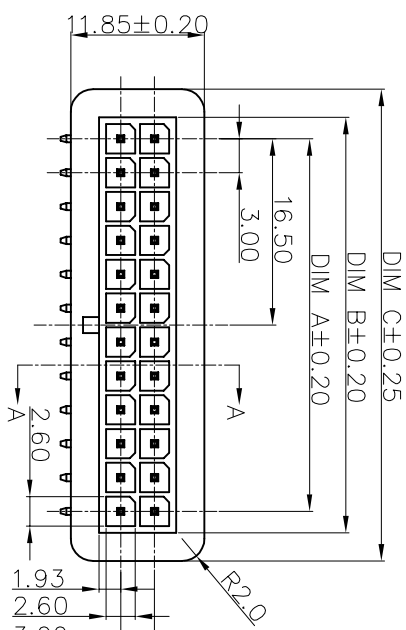
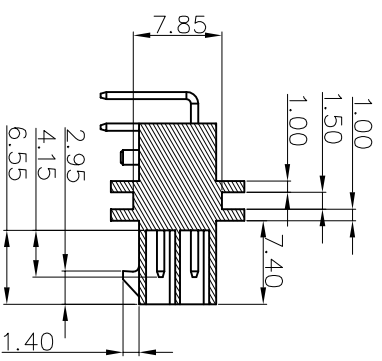
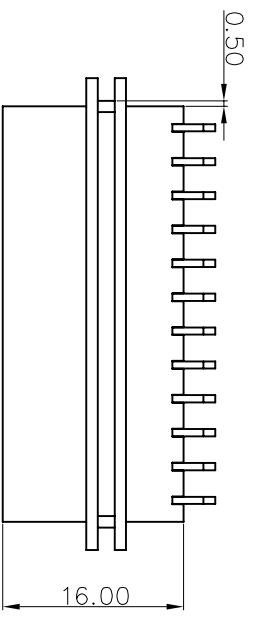


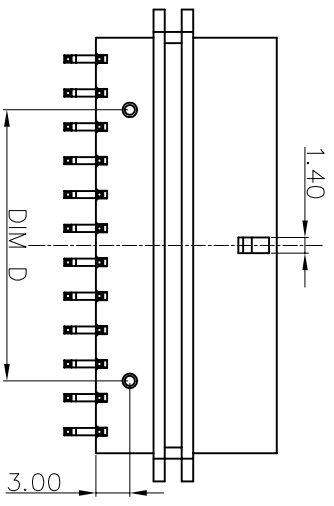
REV	LOCALS	DESCRIPTION	DRAW	DATE
A0	NEW	PERLIMINARY	Andy	2021.11.18
A1	UPDATED		Andy	2021.12.13

- NOTES:
- MATERIAL:
 - Housing: High Temperature Thermoplastic UL94V-0; Color Black.
 - Terminal: Copper Alloy.
 - FINISH:
 - Terminal: Plated Tin 80U" Min Over All. Underplated Nickel 50U" Over all.
 - SPECIALITY:
 - Rated current: 5A
 - Rated voltage: 250VAC/DC
 - Contact Resistance: 10mΩ MAX
 - Insulation Resistance: 1000MΩ MIN 100V DC
 - Dielectric withstanding voltage: 1500VAC/Minute.
 - Salt Spray Test: 24Hours.



RECOMMEND PCB LAYOUT
TOLERANCE: ±0.05

PART NO	Dimensions				
	Pin	A	B	C	D
WA0412300685-21	2*2P	3.00	6.80	11.80	3.00
WA0612300685-21	2*3P	6.00	9.80	14.80	3.00
WA0812300685-21	2*4P	9.00	12.80	17.80	6.00
WA1012300685-21	2*5P	12.00	15.80	20.80	6.00
WA1212300685-21	2*6P	15.00	18.80	23.80	12.00
WA1412300685-21	2*7P	18.00	21.80	26.80	12.00
WA1612300685-21	2*8P	21.00	24.80	29.80	18.00
WA1812300685-21	2*9P	24.00	27.80	32.80	18.00
WA2012300685-21	2*10P	27.00	30.80	35.80	24.00
WA2212300685-21	2*11P	30.00	33.80	38.80	24.00
WA2412300685-21	2*12P	33.00	36.80	41.80	24.00



MEASURE POINT:	(RP)
QUADRANT POINT	(TP)
TANGENCY POINT	(TP)
INTERSECTION POINT	(IP)
UNLESS OTHERWISE SPECIFIED, TOLERANCE:	
X	±0.35
X.x	±0.25
X.xx	±0.15
ANGULAR	±3'



Dongguan D-CHAIN Precision Components Co., Ltd

DESIGN	Andy	DATE	2021.11.18	TITLE:
CHECKED		DATE		6.85H 3.0PITCH WAFER DIP TYPE
APPROVED		DATE		
PART NO:	WA**12300685-21	REV:	A1	SCALE: 1:1
DRAWING NO:		SIZE:	A4	SHEET: 1/1
		UNIT:	mm	