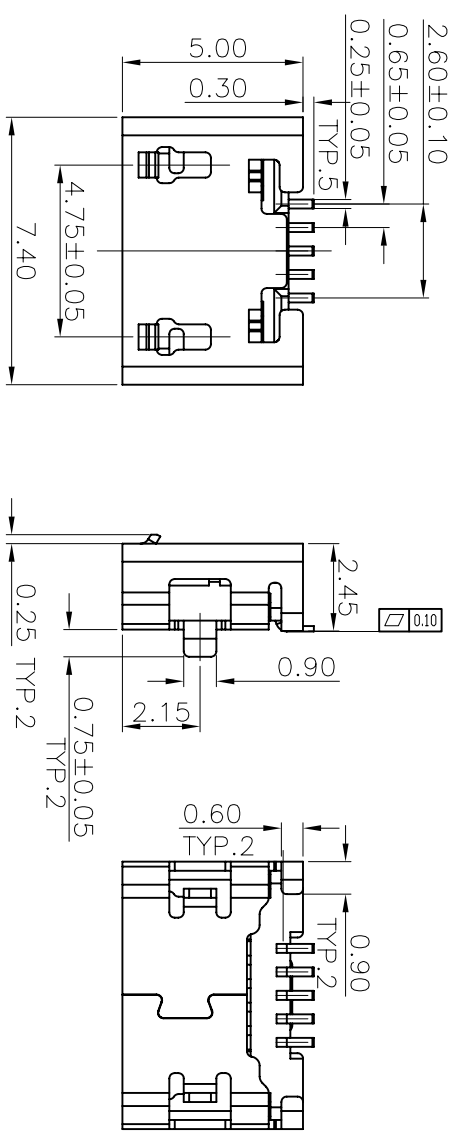
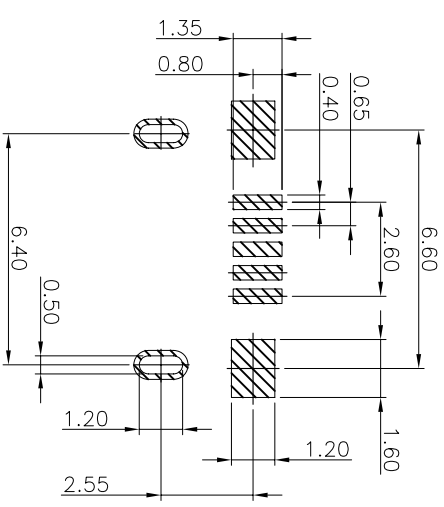
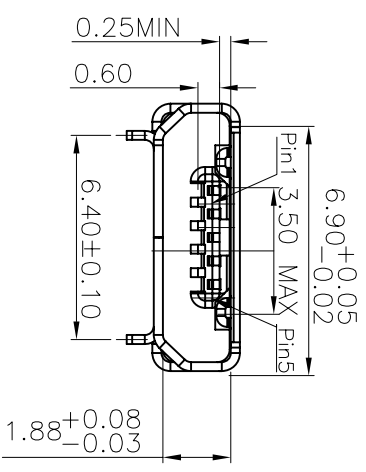


REV.	LOCAS.	DESCRIPTION	DRAW.	DATE.
01	NEW	INITIAL RELEASE.	Wong	2013.05.10
02		ECN20140037	Wong	2014.05.04



- NOTES:
- MATERIAL:
    - Housing: High Temperature Thermoplastic UL94V-0; Color Black.
    - Terminal: Copper Alloy.
    - Shell: Stainless Steel.
  - SPECIALITY:
    - Rated current: 0.5A
    - Rated voltage: 30V
    - Contact Resistance: 50mΩ MAX
    - Insulation Resistance: 100MΩ MIN 100V DC
    - Dielectric withstanding voltage: 100V AC.
    - Solder ability: 235±5°C, 5±0.5s.
    - Durability: 5000 Cycles Min.
    - Operating condition: Temperature -30°C ~ +80°C; Humidity 80% R.H MAX



RECOMMENDED PCB LAYOUT  
TOLERANCE: ±0.05

SHEN ZHEN D-CHAIN TECHNOLOGY CO., LTD

Ordering Information

U: USB Series  
A: Finished Product  
No. of PINS: 05 (5PIN)  
Plating Number: \_\_\_\_\_

Running number: \_\_\_\_\_  
250: Height 2.50mm  
065: Pitch 0.65mm

MEASURE POINT:

QUADRANT POINT	(QP)
TANGENCY POINT	(TP)
INTERSECTION POINT	(IP)

UNLESS OTHERWISE SPECIFIED, TOLERANCE:

X	±0.25
X.x	±0.20
X.xx	±0.15
ANGULAR	±3'

DESIGN		DATE		TITLE:	
DESIGNED	Wong	2013.05.10		MICRO USB 5PIN PH:0.65mm H:2.50mm 2SMT+2DIP TYPE WITHOUT POST	
CHECKED	Andy	2013.05.10			
APPROVED	Andy	2013.05.10			
PART NO:	UA0507065250-037-06	REV:	02	SCALE:	5:1
DRAWING NO:	DQUA0507065250-037-06	SIZE:	A4	SHEET:	1/1