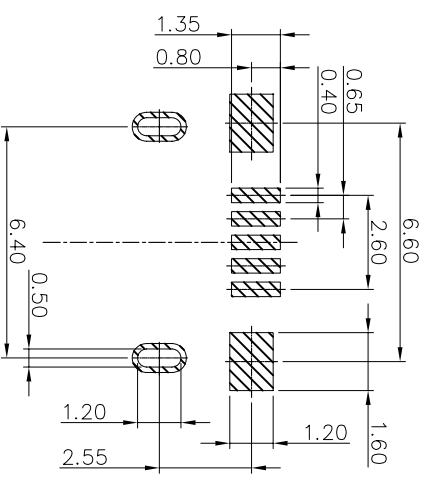
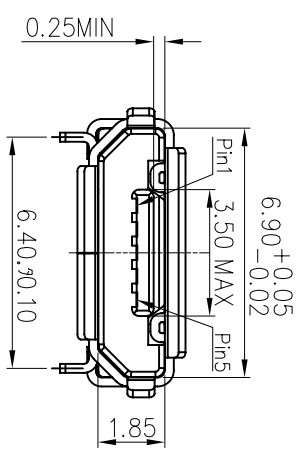
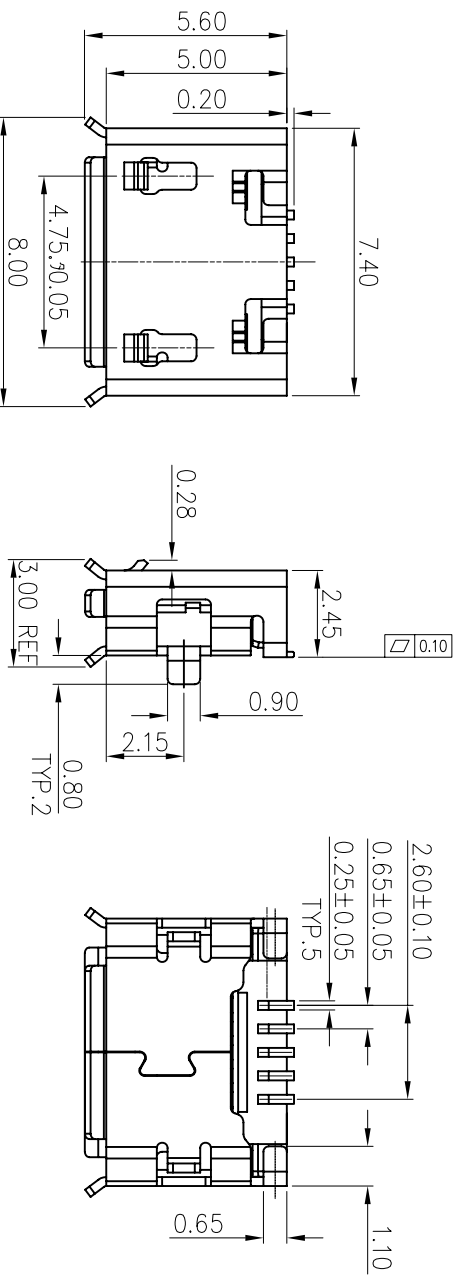
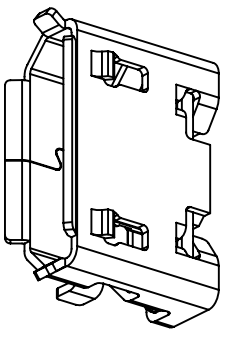


| REV | LOCAS | DESCRIPTION | DRAW | DATE |
|-----|-------|-----------------|-------|------------|
| 01 | NEW | INITIAL RELEASE | Huang | 2012.05.15 |
| 02 | | EON20130015 | Wang | 2013.10.10 |
| 03 | | EON20140037 | Wang | 2014.05.04 |
| 04 | | UPDATED | Andy | 2017.06.23 |



RECOMMENDED PCB LAYOUT
TOLERANCE: ±0.05



NOTES:

1. MATERIAL:
 - 1.1 HOUSING: THERMOPLASTIC UL 94V-0; COLOR: BLACK.
 - 1.2 TERMINAL: COPPER ALLOY, T=0.15mm.
 - 1.3 SHELL: STAINLESS STEEL, T=0.25mm.
2. FINISH:
 - 2.1 TERMINAL: GOLD FLASH ON CONTACT AREA, GOLD FLASH ON SOLDER TAILS, NICKEL 50u"Min UNDERPLATING OVER ALL.
 - 2.2 SHELL: PLATED MATTE TIN OVER ALL, NICKEL 50u"Min UNDERPLATING OVER ALL.
3. SPECIFICATIONS:
 - 3.1 VOLTAGE RATING: 30VAC;
 - 3.2 CURRENT RATING: 1.0A;
 - 3.3 INSULATION RESISTANCE: 100MEG.OHM MIN.
 - 3.4 CONTACT RESISTANCE: 50 MILL.OHM MAX.
 - 3.5 DIELECTRIC WITHSTANDING VOLTAGE: 100V AC.
 - 3.6 SOLDER ABILITY: 245±5°C, 5±0.5s.
 - 3.7 DURABILITY: 5000 CYCLES Min.
 - 3.8 OPERATION CONDITION: TEMPERATURE -30°C ~ +80°C; HUMIDITY 80% R.H MAX

MEASURE POINT:
QUADRANT POINT (QP)
TANGENCY POINT (TP)
INTERSECTION POINT (IP)

UNLESS OTHERWISE SPECIFIED, TOLERANCE:

| | |
|---------|-------|
| X | ±0.25 |
| X.x | ±0.20 |
| X.xx | ±0.15 |
| ANGULAR | ±3' |

| | | | | | | | | | |
|-------------|---------------------|--|----|---------|-------|--------|------------|--------|---|
| | | SHEN ZHEN D-CHAIN TECHNOLOGY CO., LTD | | DESIGN | Huang | DATE | 2012.05.15 | TITLE: | MICRO USB SPIN PH: 0.65mm H: 2.50mm 25MT+20P TYPE WITHOUT POST |
| | | | | CHECKED | | DATE | | | |
| APPROVED | | DATE | | REV: | 04 | SCALE: | 5:1 | UNIT: | mm |
| PART NO: | UA0507065250-037-03 | REV: | 04 | SCALE: | 5:1 | UNIT: | mm | | |
| DRAWING NO: | | SIZE: | A4 | SHEET: | 1/1 | | | | |