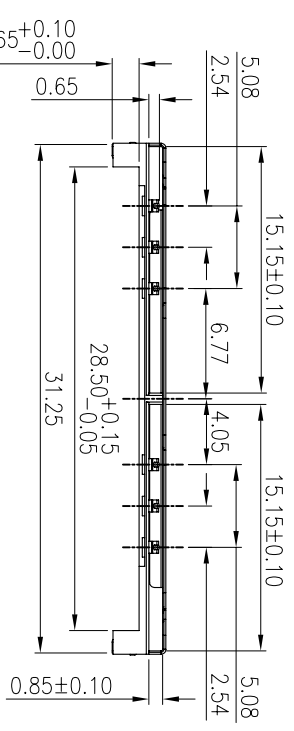
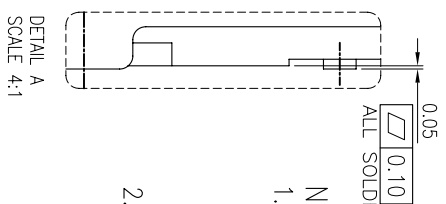
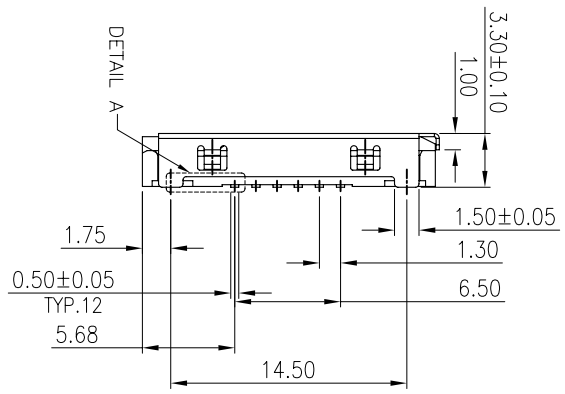
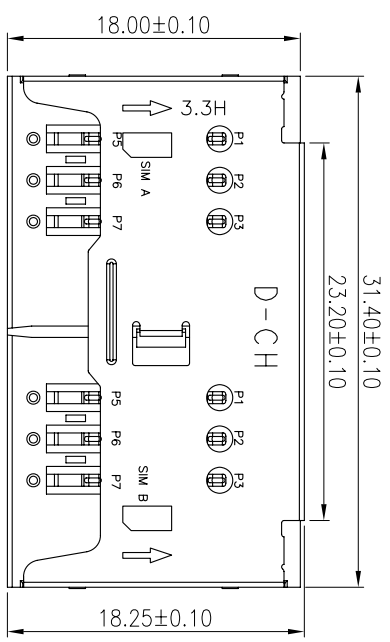


REV	LOCAS	DESCRIPTION	DRAW	DATE
01	NEW	INITIAL RELEASE	Wong	2013.06.28

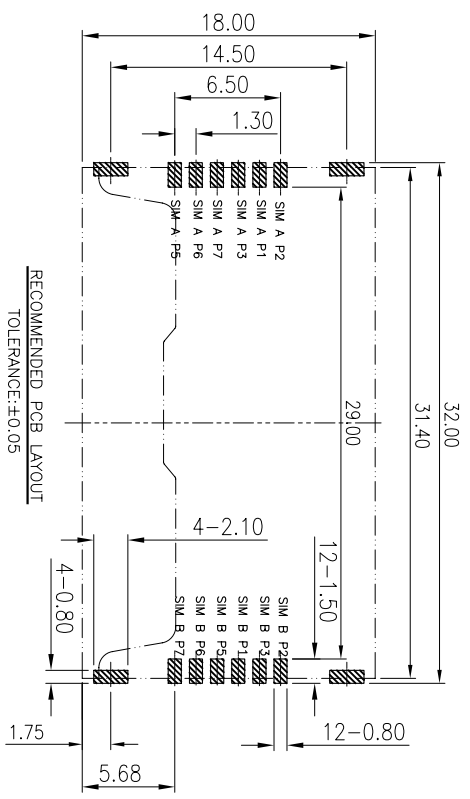


Pin NO	Pin Definition
Pin 1	vcc:pwr signal and GND
Pin 2	RST: Reset signal
Pin 3	CLK:Claking signal reserved
Pin 4	GND:PWR signal and GND
Pin 5	vpp:programming voltage
Pin 6	I/O:serial data input/output reserved
Pin 7	
Pin 8	

- NOTES:
- 1.MATERIAL:
- 1.1 Housing: High Temperature Thermoplastic UL94V-0,Color:Black
 - 1.2 Terminal:Copper Alloy,T=0.15mm
 - 1.3 Shell:Stainless Steel,T=0.20mm
- 2.FINISH:
- 2.1 Terminal:Gold flash plating on contact area, 80u"Matte Tin on the solder tails, underplated 50u"nickel over all.
 - 2.2 Shell:Gold flash plating on the solder tails, underplated 50u"nickel over all.

- 3.SPECIALTY:
- 3.1 Rated Current:0.5A
 - 3.2 Rated Voltage:30V
 - 3.3 Contact Resistance:50mΩ Max
 - 3.4 Insulation Resistance:100MΩ Min 100V DC
 - 3.5 Dielectric Withstanding Voltage:100V AC
 - 3.6 Solder Ability:245±5°C;5±0.5s
 - 3.7 Durability:5000 cycles
 - 3.8 Operating Condition:Temperature:-30°C~+80°C; Ordering Information Humidity:80%RH Max

S:SIM Card Series
 A:Finished Product
 No.of PINS:12(12PIN)
 Plating Number _____
 Running Number _____
 330:Height 3.30mm
 254:Pitch 2.54mm



SHEN ZHEN D-CHAIN TECHNOLOGY CO.,LTD

D-CHAIN

MEASURE POINT: (Ⓟ) QUADRANT POINT (TP) TANGERCY POINT (TP) INTERSECTION POINT (TP)

UNLESS OTHERWISE SPECIFIED,TOLERANCE:

X	±0.25
XX	±0.20
XXX	±0.10
ANGULAR	±5'

DESIGN	Wong	DATE	2013.06.28	TITLE:
CHECKED	Andy/L	DATE	2013.06.28	3. 30H DUAL SIM CARD TYPE2
APPROVED	Andy/L	DATE	2013.06.28	
PART No.	SA1206254330-51-01	REV:	01	SCALE: 2:1
DRAWING No.	DOSA1206254330-51-01	SIZE:	A4	SHEET: 1/1

