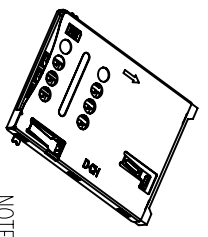


REV	LOCKS	DESCRIPTION	DRWN	DATE
A0	NEW	PRELIMINARY	ANDY	2013.04.30
A1	Δ	MODIFY CARD POSITION DIM	ANDY	2013.05.29
A2	Δ	MODIFY	ANDY	2013.08.29



- NOTES:
- MATERIAL:
 - Housing: High Temperature Thermoplastic UL94V-0, Color: Black
 - Terminal: Copper Alloy
 - Shell: Stainless Steel

2.SPECIALITY:

- Rated Current: 0.5A
- Rated Voltage: 30V
- Contact Resistance: 100mΩ Max
- Insulation Resistance: 1000MΩ Min 100V DC
- Dielectric Withstanding Voltage: 500V AC
- Solder Ability: 245±5°C, 5±0.5s
- Durability: 5000 cycles
- Operating Condition: Temperature: -30°C~+80°C; Humidity: 80%RH Max

Ordering Information

S A 07 07 127 180- 46-03

Running Number

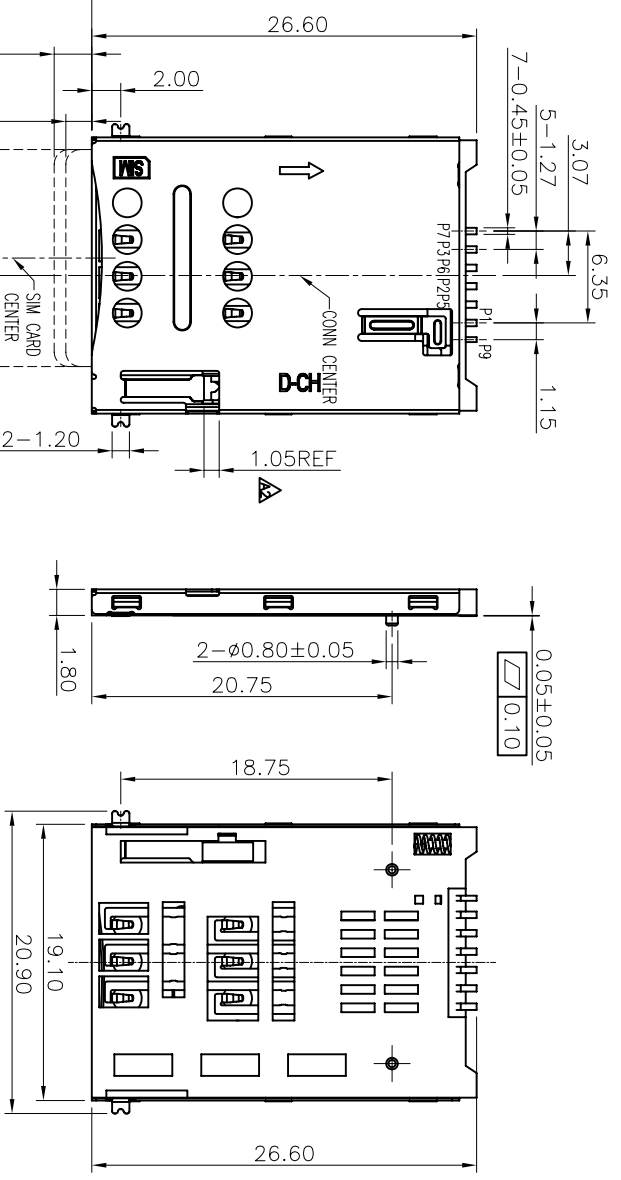
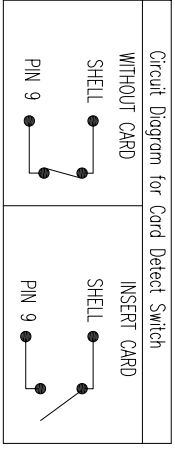
PUSH SIM Card

No. of PINS: 07(7PIN)

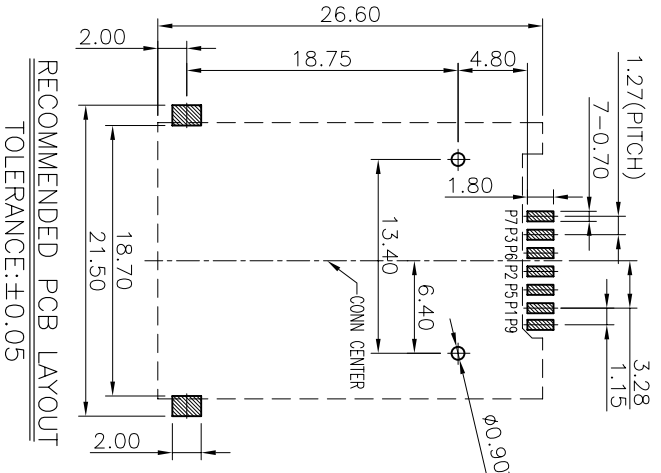
Plating Number: _____

180: Height 1.80mm

127: Pitch 1.27mm



PIN No	DESCRIPTION
PIN 1	VCC : PWR SIGNAL AND GND
PIN 2	RST : RESET SIGNAL
PIN 3	CLK : CLOCKING SIGNAL
PIN 5	GND : PWR SIGNAL AND GND
PIN 6	VPP : PROGRAMMING VOLTAGE
PIN 7	I/O : SERIAL DATA INPUT/OUTPUT
PIN 9	SWITCH



SHEN ZHEN D-CHAIN TECHNOLOGY CO.,LTD

MEASURE POINT:

QUADRANT POINT

TANGENCY POINT

INTERSECTION POINT

UNLESS OTHERWISE SPECIFIED, TOLERANCE:

X	±0.25
Xx	±0.20
Xxx	±0.15
ANGULAR	±5

DESIGN	Andy	DATE	2012.03.28	TITLE:
CHECKED		DATE		1.8H PUSH SIM CARD WITH DETECT PIN
APPROVED		DATE		
PART No.	S40707127180-46-03	REV:	A2	SCALE:
DRAWING No.	D0840707127180-46-03	SIZE:	A4	SHEET:
				1/1