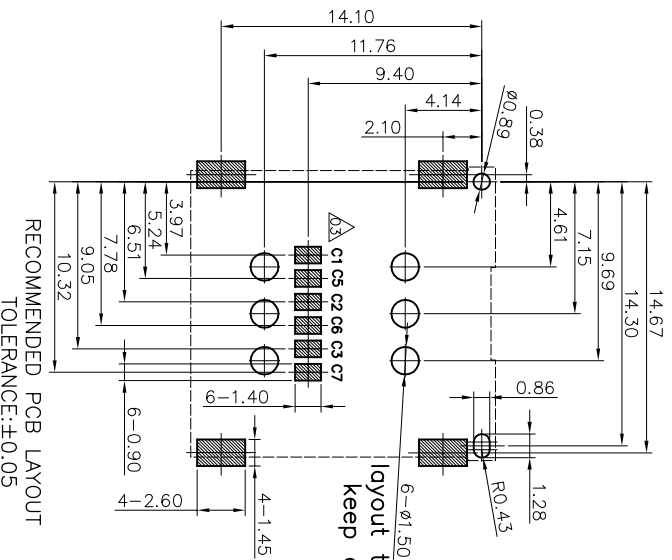
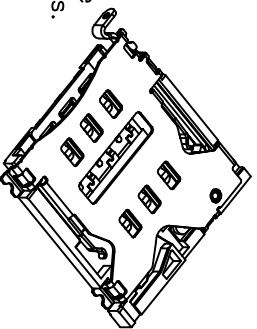


layout trace should be
keep out those zones.



RECOMMENDED PCB LAYOUT
TOLERANCE:±0.05

- NOTES:
1. MATERIAL:
1.1 Housing: High Temperature Thermoplastic
UL94V-0, Color: Black
- 1.2 Terminal: Copper Alloy
1.3 Shell: Stainless Steel
1.4 Lever: Stainless Steel
1.5 Cam: Stainless Steel
2. FINISH:
2.1 Terminal: Gold flash plating on contact area,
Gold flash plating on the solder tails,
Gold flash plating on the solder tails.
3. SPECIALTY:
3.1 Rated Current: 0.5A
3.2 Rated Voltage: 30V
3.3 Contact Resistance: 50mΩ Max
3.4 Insulation Resistance: 1000MΩ Min 100V DC
3.5 Dielectric Withstanding Voltage: 500V AC
3.6 Solder Ability: 245±5°C; 5±0.5s
3.7 Durability: 5000 cycles
3.8 Operating Condition: Temperature: -40°C~+85°C;
Humidity: 80%R.H Max

REV	LOCALS	DESCRIPTION	DRAW	DATE
01	NEW	PRELIMINARY	Wong	2014.03.26
02		INITIAL RELEASE	Wong	2014.09.29
03		UPDATED	Andy	2017.09.05
04		UPDATED	Wong	2017.11.13
05		UPDATED	Wong	2017.11.16

Ordering Information
S A 06 06 127 150-68

S: SIM Card Series
A: Finished Product
No. of PINS: 06 (06PIN)
Plating Number: _____

Running Number
150: Height 1.50mm
127: Pitch 1.27mm

PIN No.	DESCRIPTION
C1	VCC
C2	RST
C3	CLK
C5	GND
C6	VPP
C7	I/O

MEASURE POINT: (RP)
QUADRANT POINT (TP)
TANGENCY POINT (TP)
INTERSECTION POINT (IP)

UNLESS OTHERWISE SPECIFIED, TOLERANCE:
X ±0.25
X.X ±0.20
X.XX ±0.15
ANGULAR ±3°

D-CHAIN
Dongguan D-CHAIN Precision Components CO., Ltd

DESIGN	Wong	DATE	2014.09.29	TITLE:	1.5H 6PIN NANO SIM CARD
CHECKED	Andy	DATE	2014.09.29		
APPROVED	Andy	DATE	2014.09.29		
PART NO:	SA0606127150-68	REV:	0	SCALE:	1:1
DRAWING NO:	D05A0606127150-68	SIZE:	A4	SHEET:	1/1