

- NOTES:
- MATERIAL:
 - Housing: High Temperature Thermoplastic UL94V-0; Color Black.
 - Terminal: Copper Alloy.
 - Sheet: Stainless Steel
 - FINISH:
 - Terminal: Plated Gold on the Contact Area
Plating matte sn on Solder tails
Underplated Nickel Over all.

- SPECIALTY:
 - Rated current: 1.0A
 - Rated voltage: 30V
 - Contact Resistance: 50mΩ MAX
 - Insulation Resistance: 100MΩ MIN 100V DC
 - Dielectric withstanding voltage: 100V AC.
 - Solder ability: 245±5°C, 5±0.5s.
 - Durability: 5000 Cycles Min.
 - Operating condition: Temperature: -25°C~+85°C;
- Shell: Plated Gold on Solder Tails.

SECTION:A-A
SCALE: 1:1

PART No.	DIM A	DIM B
SA0602254180-30	1.80	0.38
SA0602254200-30	2.00	0.58

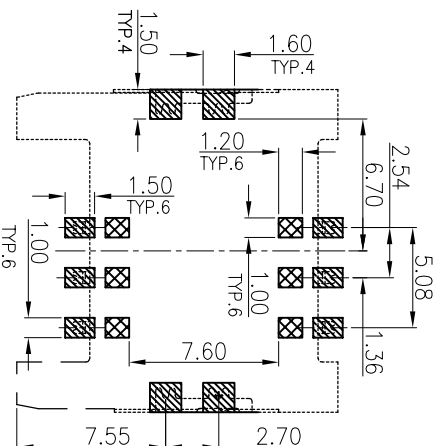
S:SIM CARD Series
A:Finished Product
No.of PINS:06(PIN)
Standard Plating

S A 06 02 254 XXX-30

Running number
-180:Height 1.80mm
-200:Height 2.00mm
-254:Pitch 2.54mm

Ordering Information

RECOMMEND P.C.B. LAYOUT
TOLERANCE ±0.05



THESE AREA SHOULD BE FREE
OF ANY CONDUCTIVE TRACES
SMT SOLDER AREA

MEASURE POINT:
QUADRANT POINT (QP)
TANGENCY POINT (TP)
INTERSECTION POINT (IP)

UNLESS OTHERWISE SPECIFIED, TOLERANCE:
X ±0.25
XX ±0.20
X.xxx ±0.15
ANGULAR ±3°

D-CHAIN
Dongguan D-CHAIN Precision Components CO., Ltd

DESIGN	Huang	DATE	2011.07.22	TITLE	6PIN SLIM CARD WITH LOGO
CHECKED		DATE			
APPROVED		DATE			
PART NO:	SA0602254XXX-30	REV:	03	SCALE:	3:1
DRAWING NO:		SIZE:	A4	SHEET:	1/1

REV.	LOCKS.	DESCRIPTION	DRAW.	DATE.
01	NEW	INITIAL RELEASE.	Huang	2011.05.26
02	△	ECN20110053	Huang	2011.07.22
03	△	增加电性能规格说明	Long	2018.06.27