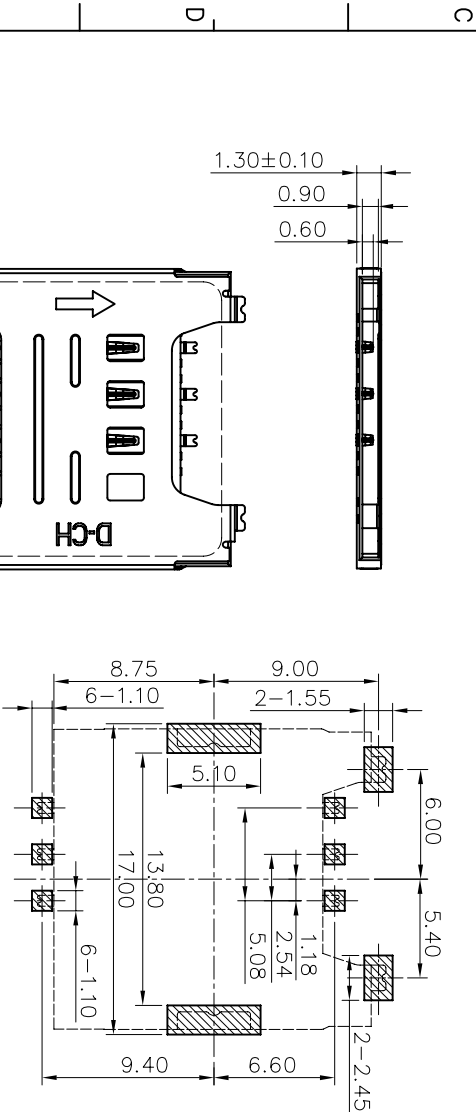
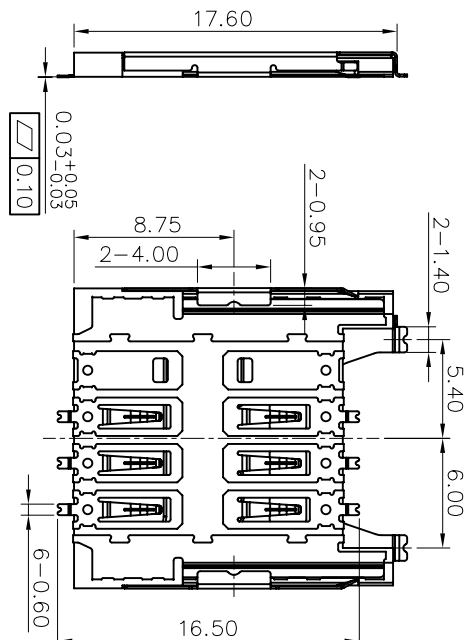
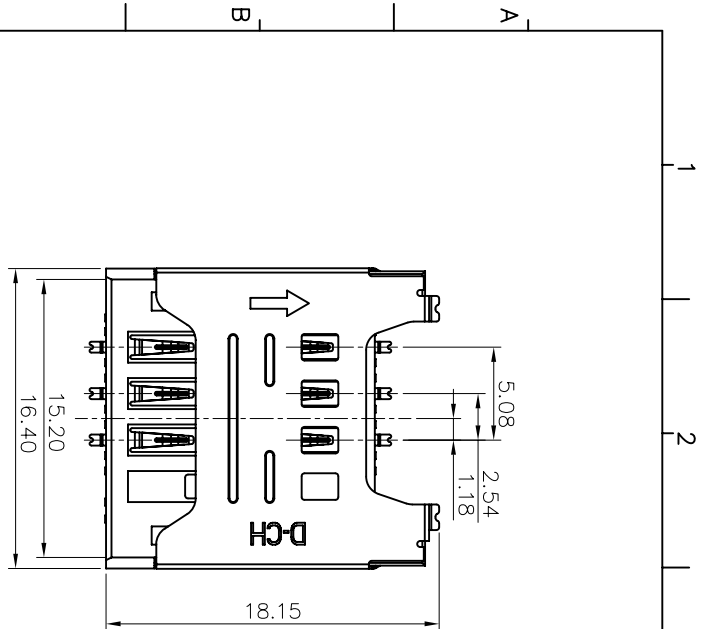


REV	LOCALS	DESCRIPTION	DRAW	DATE
01	NEW	PERLIMINARY	Andy	2013.03.06
02	ADD	WITHOUT LOGO	Andy	2016.01.08

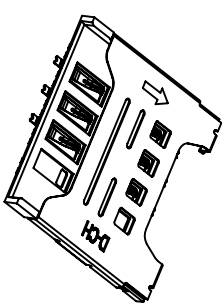
NOTES:

- MATERIAL:
 - Housing: High Temperature Thermoplastic UL94V-0; Color Black.
 - Terminal: Copper Alloy.
 - Sheel: Stainless Steel
- FINISH:
 - Terminal: Plated Gold on the Contact Area and Solder Tails, Underplated Nickel Over all.
 - Shell: Plated Gold on the Solder Tails, Underplated Nickel Over all.
- SPECIALITY:
 - Rated current: 0.5A
 - Rated voltage: 30V
 - Contact Resistance: 50mΩ MAX
 - Insulation Resistance: 100MΩ MIN 100V DC
 - Dielectric withstanding voltage: 250V AC.
 - Solder ability: 245±5°C, 5±0.5s.
 - Durability: 5000 Cycles Min.



RECOMMENDED PCB LAYOUT

TOLERANCE: ±0.05
THERE SHOULD NOT BE ANY CIRCUITRIES IN THE LAYOUT SPACE OF THE PRODUCT.



PART NO	DESC
SA0601254130-55	1.3H 6PIN SIM CARD(WITH LOGO)
SA0601254130-55-02	1.3H 6PIN SIM CARD(WITHOUT LOGO)

SHEN ZHEN D-CHAIN TECHNOLOGY CO., LTD

D-CHAIN

DESIGN	DATE	TITLE
Andy	2013.02.18	1.3H 6PIN SIM CARD

CHECKED	DATE

APPROVED	DATE

PART NO:	REV:	SCALE:	UNIT:
SA0601254130-55/SA0601254130-55-02	02	1:1	mm

DRAWING NO:	SIZE:	SHEET:
DGS0601254130-55	A4	1/1

