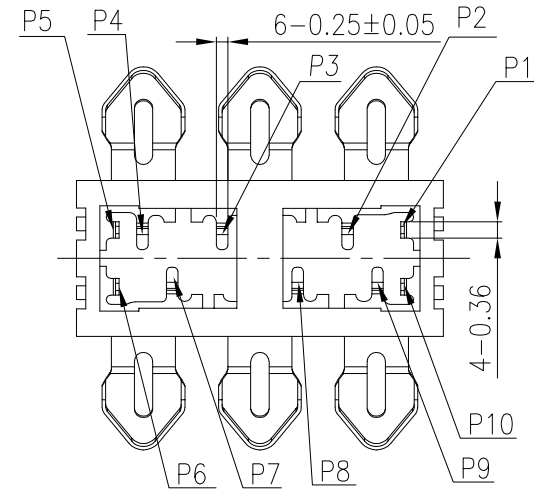
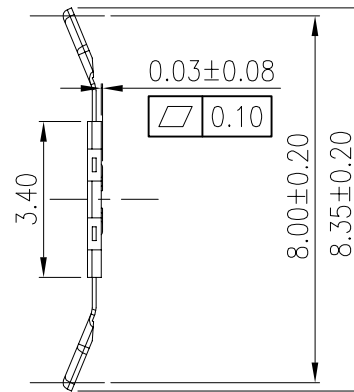
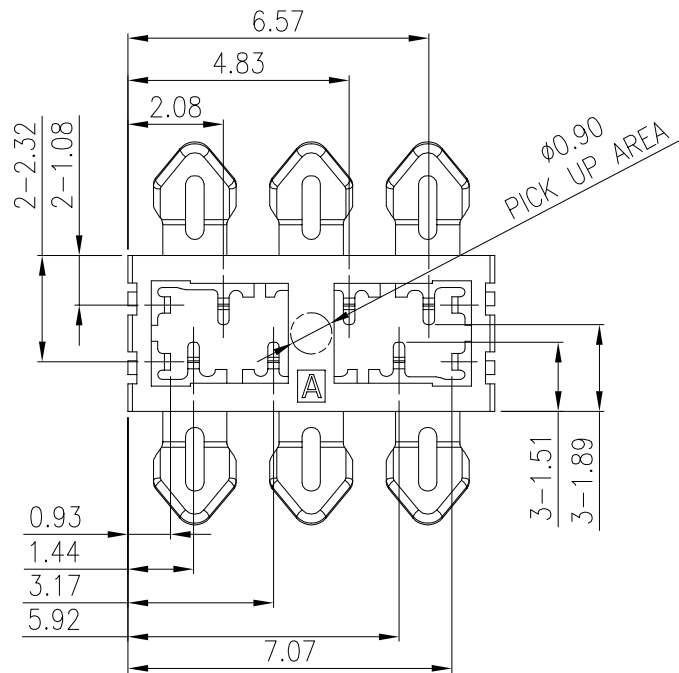
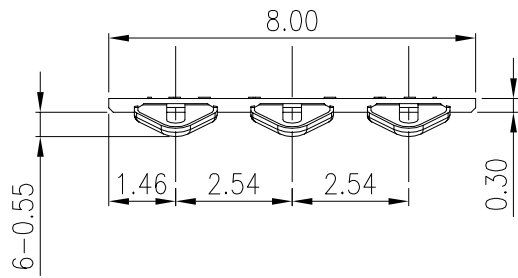


REV	LOCAS	DESCRIPTION	DRAW	DATE.
01	NEW	INITIAL RELEASE	LIU	2019.03.04
02		UPDATED	LIU	2021.06.29
03		UPDATED	Andy	2022.06.14

NOTES:

1. MATERIAL:
 - 1.1 HOUSING:THERMOPLASTIC UL94V-0; COLOR BLACK.
 - 1.2 CONTACT TERMINAL:COPPER ALLOY.
2. FINISH:
 - 2.1 CONTACT: PLATED AU ON CONTACT AREA AND SOLDER AREA, NICKEL UNDERPLATED OVER ALL.
3. SPECIALITY:
 - 3.1 VOLTAGE RATING:50V
 - 3.2 CURRENT RATING:1.0A
 - 3.3 CONTACT RESISTANCE:100 MILL.OHM MAX
 - 3.4 INSULATION RESISTANCE:1000MEG.OHM MIN AT DC 250V
 - 3.5 WITHSTANDING VOLTAGE:AC250V R.M.S
 - 3.6 OPERATION TEMPERATURE: -25°C~+85°C
 - 3.7 DURABILITY:1000 CYCLES



MEASURE POINT:
 QUADRANT POINT (QP)
 TANGENCY POINT (TP)
 INTERSECTION POINT (IP)

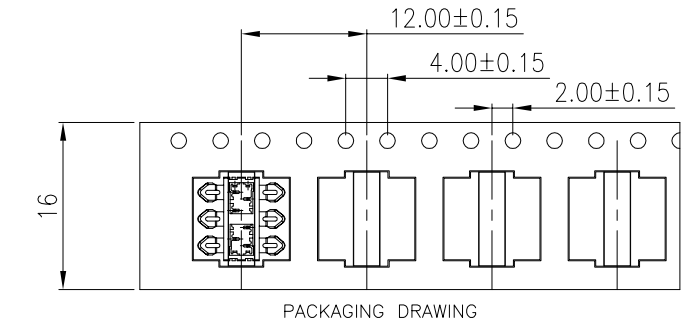
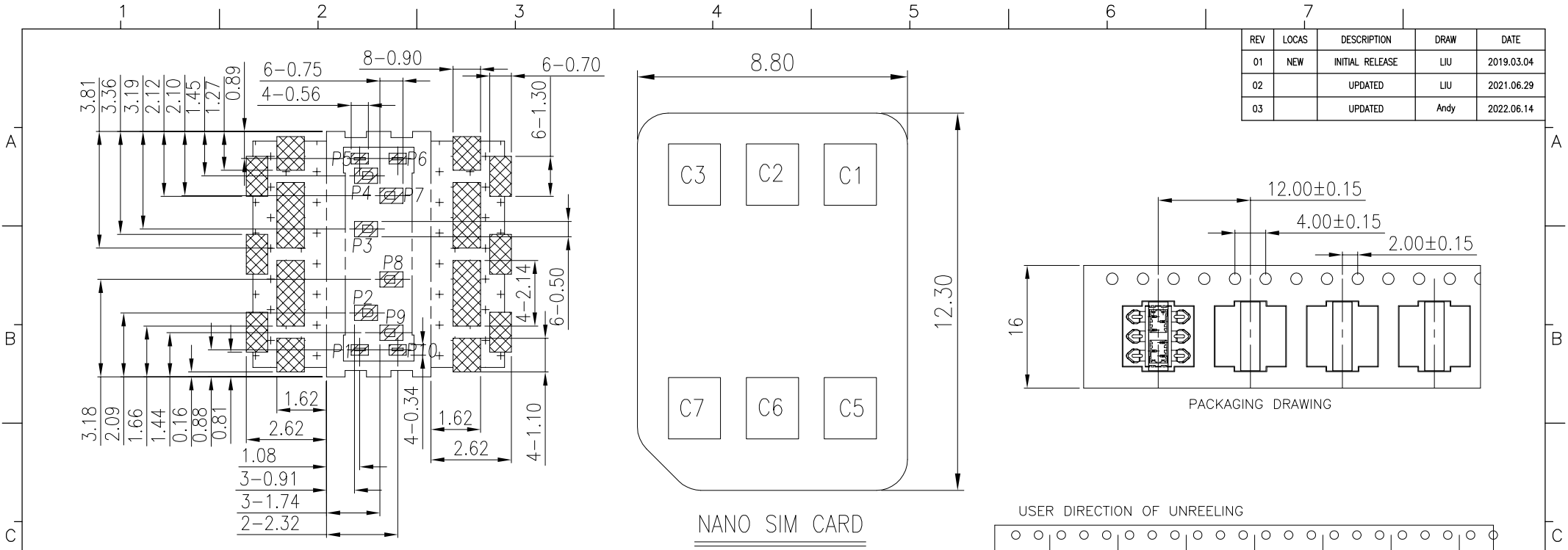



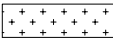

DongGuan D-CHAIN Precision Components CO, Ltd

UNLESS OTHERWISE SPECIFIED, TOLERANCE:
 X. ±0.25
 X.x ±0.20
 X.xx ±0.10
 ANGULAR ±3°

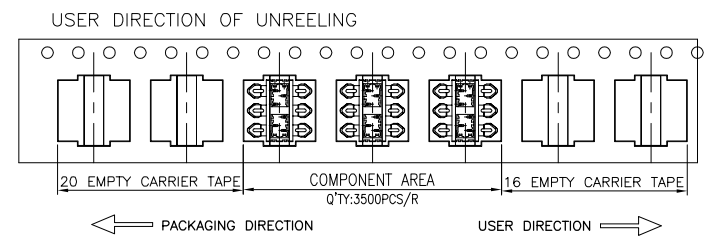
DESIGN	LIU	DATE	2019.03.04	TITLE:					
CHECKED		DATE		1.35H 分体式 三选二卡座(SIM卡卡芯)					
APPROVED		DATE							
PART NO:	SA0601254030-145			REV:	03	SCALE:	1:1	UNIT:	mm
DRAWING NO:				SIZE:	A4	SHEET:	3/5		

REV	LOCAS	DESCRIPTION	DRAW	DATE
01	NEW	INITIAL RELEASE	LIU	2019.03.04
02		UPDATED	LIU	2021.06.29
03		UPDATED	Andy	2022.06.14

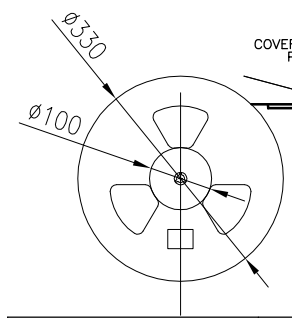


-  SMT SOLDER AREA
-  OPEN WIRE RESTRICTED AREA
-  OPEN WIRE & COPPER RESTRICTED AREA
- 1.TOUCH AREA OF CONTACT TIPS,NO ELECTRICAL FUNCTION
- 2.NO FIRST PCB-LAYER CIRCUITS IN THE AREA

RECOMMENDED PCB LAYOUT
GENERAL TOLERANCE ±0.05




COVER TAPE PEELING ANGLE:165°~180°
PEELING FORCE:20~130g



PACKAGE:
Q'TY:3500PCS/REEL

SIM Card terminal NO	Pin NO	Pin NO	Pin NO
P1 P2	C1	vcc:pwr	signal and GND
P3	C2	RST:	Reset signal
P4 P5	C3	CLK:	Clocking signal
P9 P10	C5	GND:PWR	signal and GND
P8	C6	vpp:	programming voltage
P6 P7	C7	I/O:	seral date input/output

MEASURE POINT: QUADRANT POINT (QP) TANGENCY POINT (TP) INTERSECTION POINT (IP)	 DongGuan D-CHAIN Precision Components CO, Ltd			
	DESIGN	LIU	DATE	2019.03.04
	CHECKED		DATE	
	APPROVED		DATE	
UNLESS OTHERWISE SPECIFIED, TOLERANCE:	PART NO: SA0601254030-145			TITLE:
X. ±0.25	DRAWING NO:			1.35H 分体式 三选二卡座 (SIM卡卡芯)
X.x ±0.20	REV: 03			SCALE: 1:1
X.xx ±0.10	SIZE: A4			SHEET: 4/5
ANGULAR ±3°	UNIT: mm			