



Cixi Dibo Electronics Co.,LTD

产品规格书 product specification

电气性能/Electrical

参考标准/Standard: UL IEC
 额定电压/Rated voltage: 300V 250V
 额定电流/Rated current: 8A 10A
 接触电阻/Contact resistance: 20m Ω

耐电压/Withstanding voltage: AC2000V/1Min

绝缘电阻/Insulation resistance: 500M Ω /DC500V

机械性能/Mechanical

温度范围/Temp.Range: -40 $^{\circ}$ C $^{+}$ 105 $^{\circ}$ C

瞬间温度/MAX Soldering: +250 $^{\circ}$ C, for 5 Sec

尺寸/Dimensions

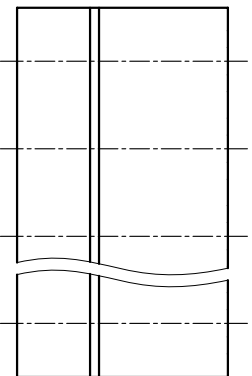
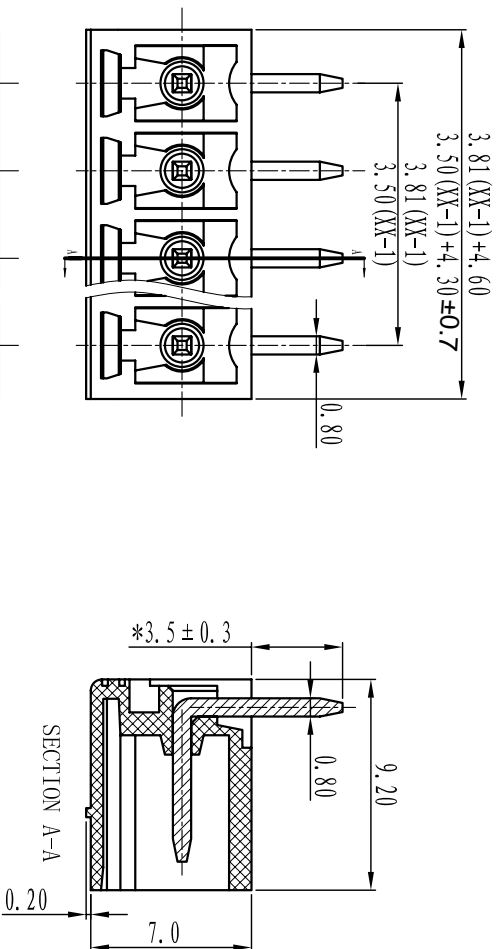
间距/Pitch: 3.81mm/3.50mm

极数/Poles: 2P-24P

材质及电镀/Material

塑件/Housing: PA66, UL94V-0

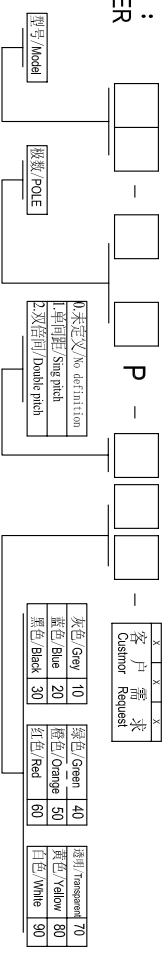
焊针/Pin header: Brass, Tin plated



TOLERANCES EXCEPT AS NOTED

	linear dimension		fillet		chamfer		short angle sid		—		—		—	
variable range	over 6	over 30	over 120	over 480	all	over 6	over 10	over 50	over 120	all	over 5	over 30	over 120	
tolerance	±0.1	±0.2	±0.3	±0.5	±0.2	±0.5	±1	30 $^{\circ}$	20 $^{\circ}$	10 $^{\circ}$	0.5	0.025	0.06	0.12

订购方式: HOW TO ORDER



单位/UNITS	mm	尺寸/SIZE	A4	比例/SCALE	名称/NAME	第一视角/FIRST ANGLE PROJECTION
Cixi Dibo Electronics Co.,LTD					DB2ERC-3.81/3.5	