

# SBR5100

## Schottky Barrier Rectifiers

### Reverse Voltage 100V Forward Current 5A

#### FEATURES

- \* Plastic package has Underwriters Laboratory Flammability Classification 94V-0
- \* Low power loss,high efficiency
- \* For use in low voltage high frequency inverters, free wheeling,and polarity protection applications
- \* Guardring for over voltage protection
- \* High temperature soldering guaranteed:  
260°C/10 seconds at terminals

#### Mechanical Data

Case: JEDEC TO-277A,  
molded plastic over SKY body  
Terminals: Plated leads, solderable per  
MIL-STD-750, Method 2026

Mounting Position: Any

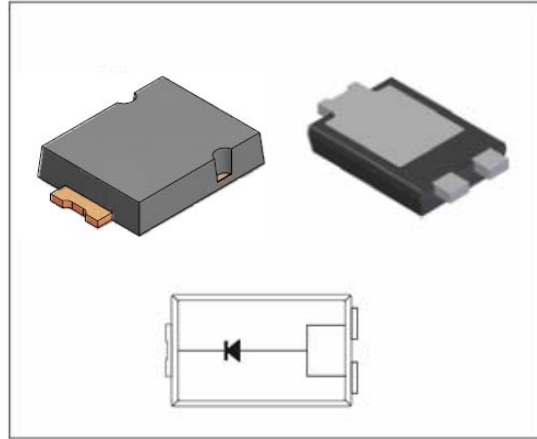
Weight: 0.108 g

Handling precaution:None

#### 1.Electrical Characteristic

#### Maximum & Thermal Characteristics Ratings at 25°C ambient temperature unless otherwise specified.

Parameter Symbol	symbol	SBR5100	Unit
device marking code		SBR5100	
Maximum repetitive peak reverse voltage	$V_{RRM}$	100	V
Maximum RMS voltage	$V_{RMS}$	70	V
Maximum DC blocking voltage	$V_{DC}$	100	V
Maximum average forward rectified current at $T_c = 75^\circ\text{C}$	$I_{F(AV)}$	5.0	A
Peak forward surge current 8.3ms single half sine-wave superimposed on rated load (JEDEC Method)	$I_{FSM}$	150	A
Typical thermal resistance (Note 1)	R $\theta$ JC	8	$^\circ\text{C/W}$
	R $\theta$ JL	15	
	R $\theta$ JA	31	
Typical thermal resistance (Note 3)	R $\theta$ JA	135	$^\circ\text{C/W}$
Operating junction temperature range	$T_J$	-55 to +150	$^\circ\text{C}$
Storage temperature range	$T_{STG}$	-55 to +175	$^\circ\text{C}$



We declare that the material of product is  
Halogen free (green epoxy compound)

#### Electrical Characteristics Ratings at 25°C ambient temperature unless otherwise specified.

Parameter Symbol	symbol	SBR5100	Unit
Maximum instantaneous forward voltage at 5A at 25°C	$V_F$	0.87	V
Maximum DC reverse current $T_j = 25^\circ\text{C}$ at rated DC blocking voltage $T_j = 100^\circ\text{C}$ (note2) at rated DC blocking voltage $T_j = 125^\circ\text{C}$ (note2)	IR	0.015	mA
		10.0	
		20	
Typical junction capacitance at 4.0V, 1MHz	CJ	500	PF

#### NOTES:

1. Polyimide PCB, 2oz. Copper. Cathode pad dimensions 18.8mm x 14.4mm. Anode pad dimensions 5.6mm x 14.4mm.
- 2.Short duration pulse test used to minimize self-heating sffect .
- 3.FR-4 PCB, 2oz.Copper.

# SBR5100

## 2. Ratings and Characteristic Curves (TA = 25°C unless otherwise noted)

Fig. 1 - Forward Current Derating

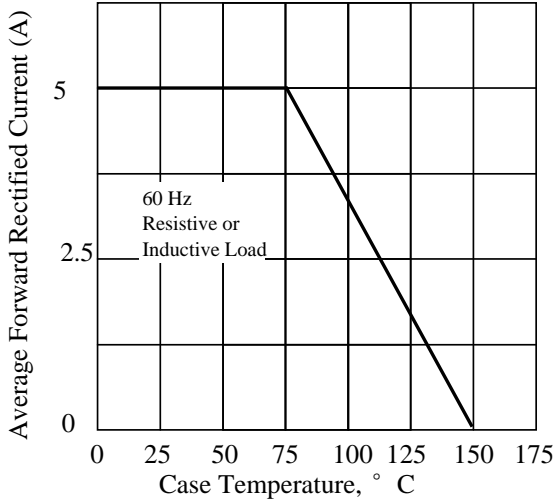


Fig. 2 - Maximum Non-repetitive Peak Forward Surge Current

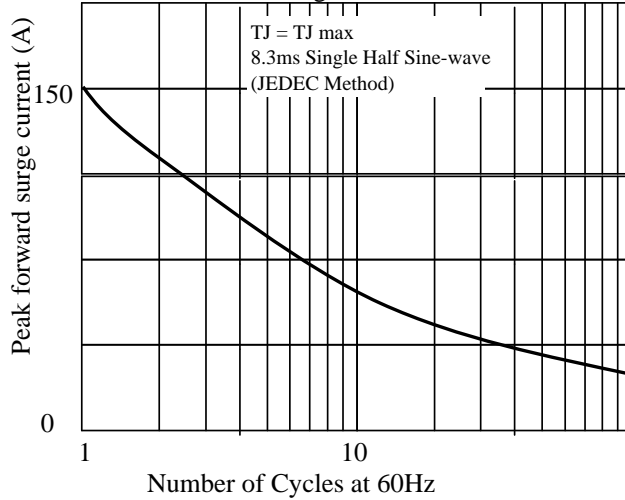


Fig 3. - Typical Instantaneous Forward Characteristics

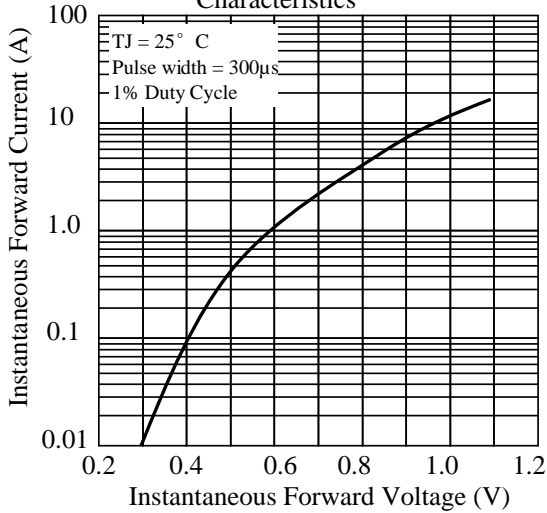


Fig 4. - Typical Reverse Characteristics

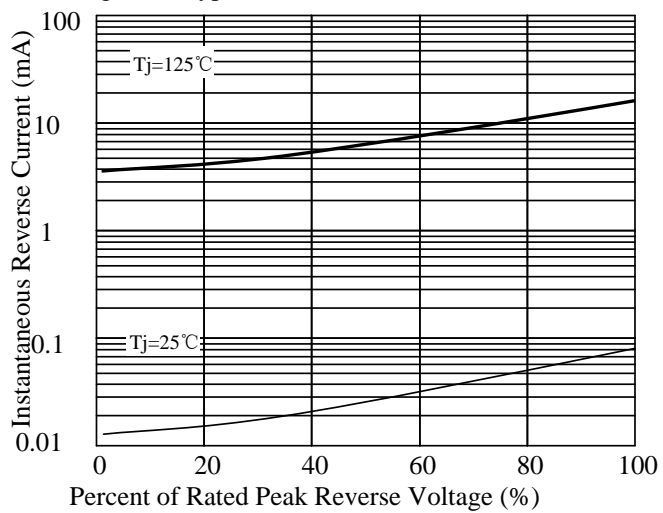


Fig 5. - typical transient thermal impedance(Note 3)

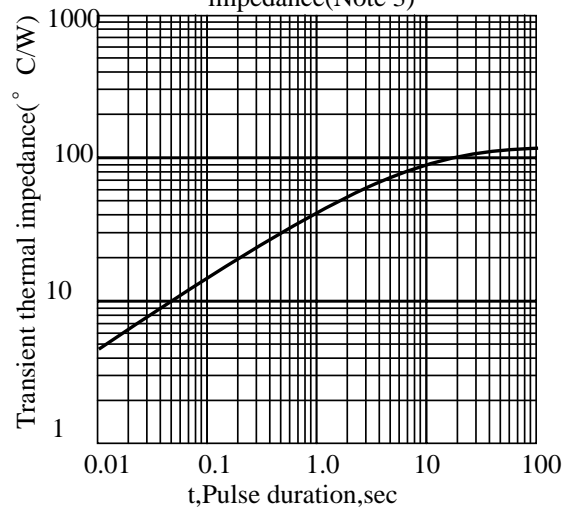
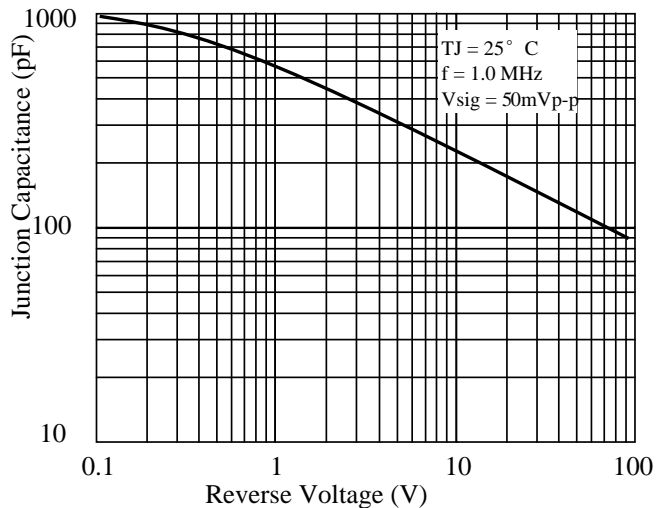


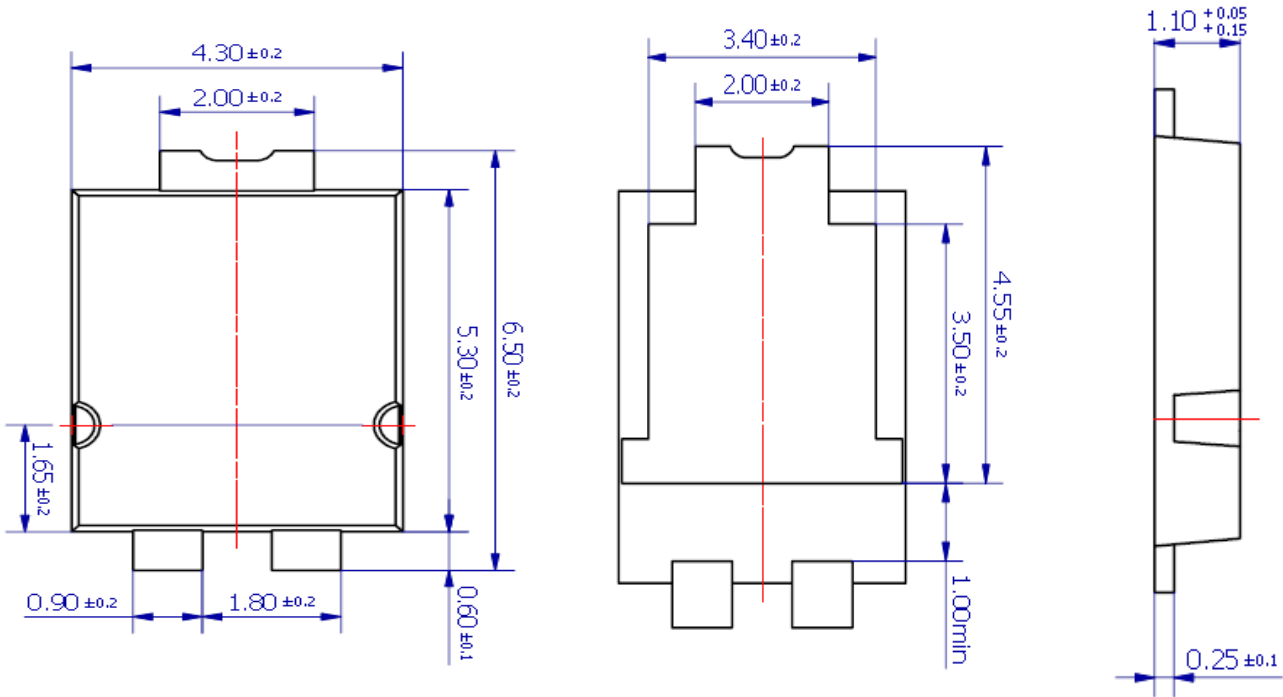
Fig 6. - Typical Junction Capacitance



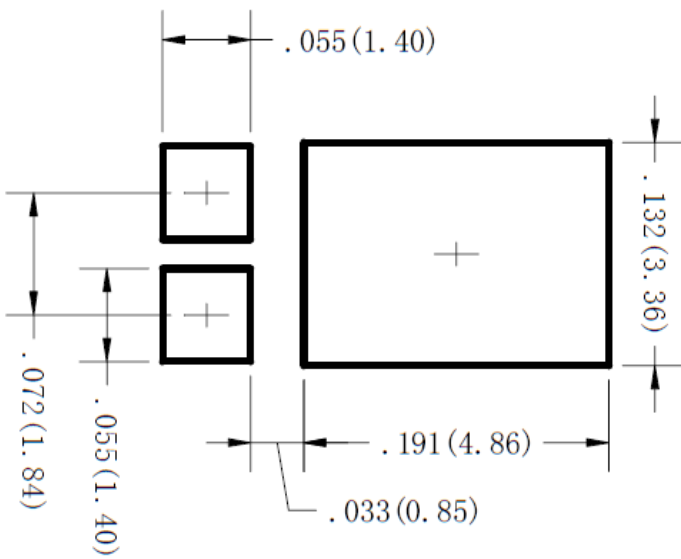
## SBR5100

### 3. dimension:

### TO-277A

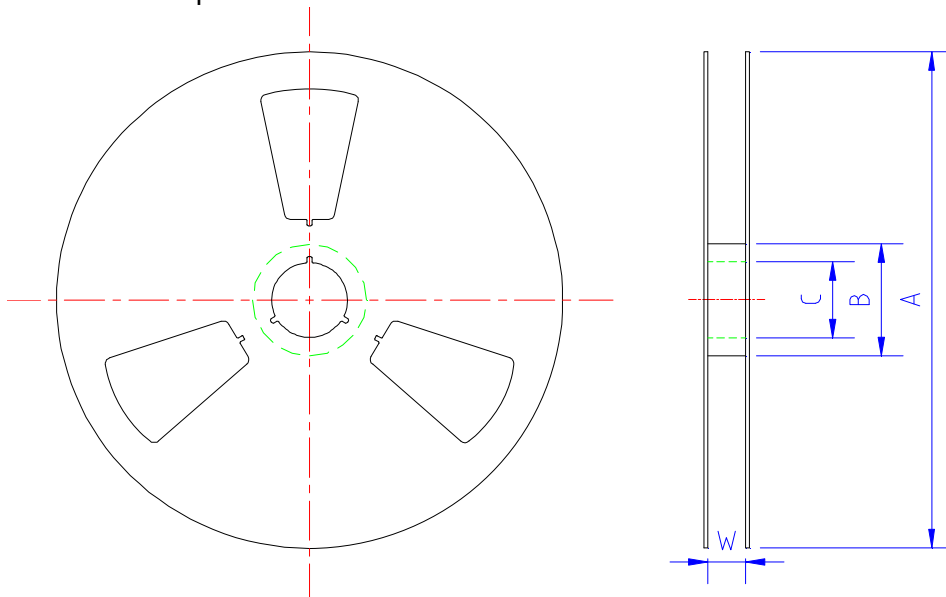


### Mounting PAD layout



5.1 、 SMD Packing Reel Spec & Packing Quantity

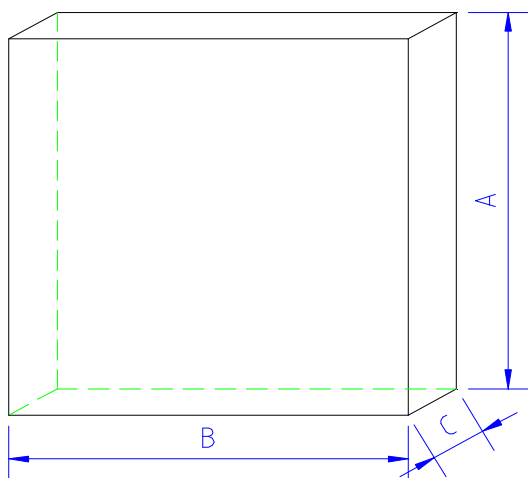
5.1.1 Reel Packing  
A. Reel Spec



unit: mm

SPEC	A	B	C	W	Quantity/Reel
SMA 7" reel	177.0±2.0	54.0±0.5	13.0±0.5	13.2±0.2	2K
SMA13" reel	330.0±2.0	75.0±0.5	13.0±0.5	13.2±0.2	5K
SMA-FL13" reel	330.0±2.0	75.0±0.5	13.0±0.5	13.2±0.2	5K
TO277 13" reel	330.0±2.0	75.0±0.5	13.0±0.5	13.2±0.2	5K
SMB13" reel	330.0±2.0	75.0±0.5	13.0±0.5	13.5±0.5	3K
SMC13" reel	330.0±2.0	75.0±0.5	13.0±0.5	17.0±0.5	3K
SOD123FL 7" reel	177.0±2.0	50.0±0.5	13.0±0.5	9.4±1.5	3K
SOD323HE 7" reel	177.0±2.0	50.0±0.5	13.0±0.5	9.4±1.5	3K
SMB-FL 13" reel	330.0±2.0	75.0±0.5	13.0±0.5	13.2±0.2	5K

B. 13" reel packing box



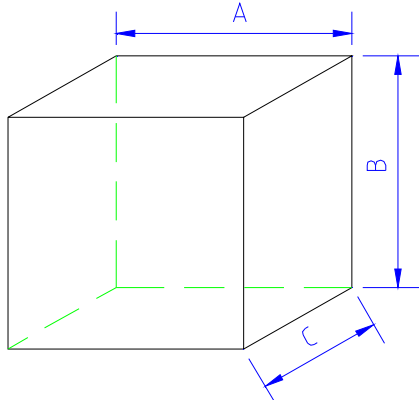
unit: mm

size	A	B	C
	335±5.0	335±2.0	40±1.0

as per above packing

Spec	Q' ty/Box
SMA13" reel	10K
SMB13" reel	6K
SMC13" reel	6K
TO277 13" reel	10K
SMB-FL 13" reel	10K

C. 7" reel packing box



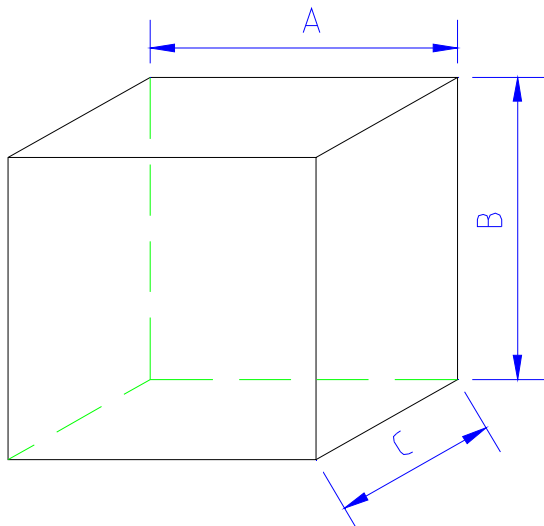
unit: mm

	A	B	C
SMA/SMA-FL	188±2.0	188±2.0	138±2.0
SOD123FL SOD323HE	186±2.0	139±2.0	185±2.0

as per above packing

	Q' ty/Box
SMA/SMA-FL	16K
SOD123FL	30K
SOD323HE	30K

D. reel packing carton



unit: mm

	A	B	C
size	350±2.0	340±2.0	350±2.0

as per above packing

Spec	Q' ty/Carton
SMA/SMA-FL 7" reel	80K
SMA13"reel	80K
SMB13"reel	48K
SMC13"reel	36K
SMA-FL13"reel	80K
TO277 13" reel	80K
SMB-FL 13" reel	80K

unit: mm

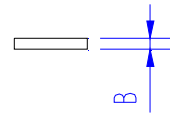
	A	B	C
SOD123FL SOD323HE	455±2.0	400±2.0	410±2.0

as per above packing

Spec	Q' ty/Carton
SOD123-FL 7" reel	360K
SOD323HE 7" reel	360K

5.1.2 Tape Spec

A. Cover Tape



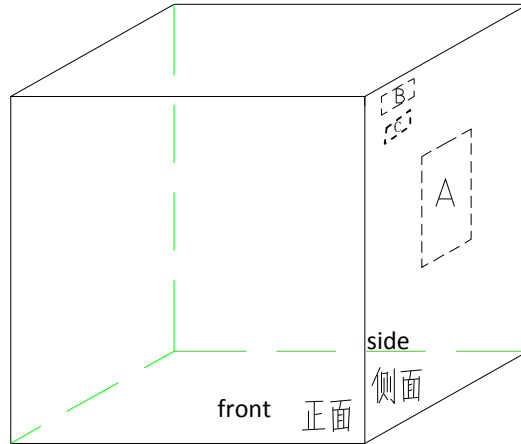
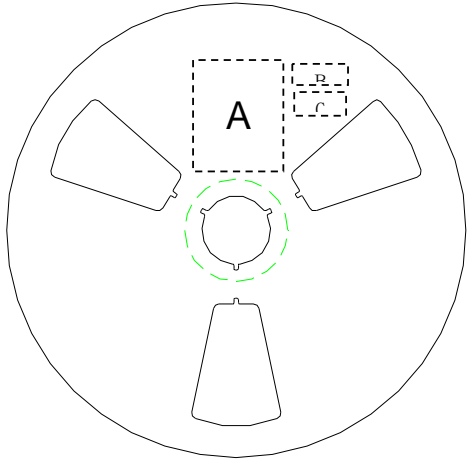
unit: mm

	A	B
SMA /SMA-FL SMB-FL /SMB /TO277	9.5±0.10	0.062±0.007
SMC	13.30±0.10	
SOD123FL SOD323HE	5.4±0.10	



5.2、SMD Power Diode General Packing Spec

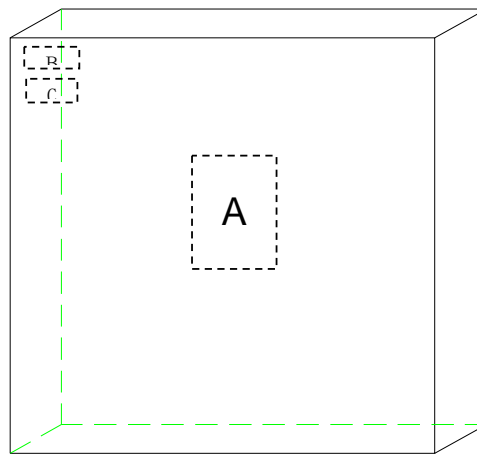
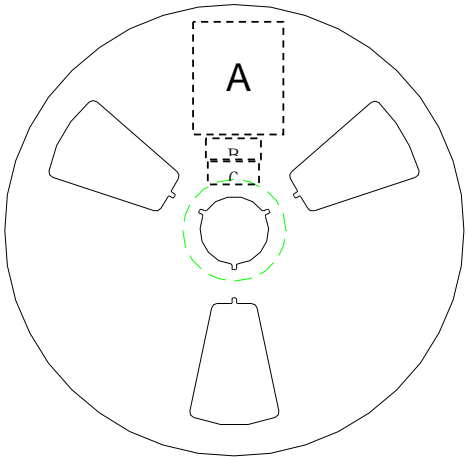
A. 7" reel all labels will be at cathode side of reel ;



A:LRC label;

B:Environment Label C:Halide free label

B. 13" reel



A:LRC label;

B:Environment Labe C:Halide free label

C. Tape lead: face anode side of the reel, upper side is the tape lead position. All labels are at cathode side of the reel.



标题:

Power Diode SMD Package Packing Spec

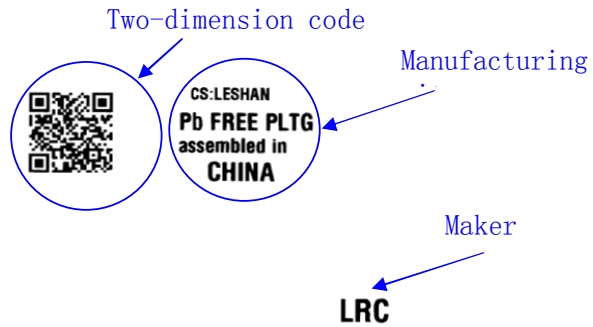
DOC NO.: WI-258

Version: 5    Modification: 0

Page: 6

C. Label Content :  
LRC Label

P/N → (1P) LPN: SM140A  
Lot No. → (1T) LOT: 140106049X  
Date code → (9D) DTE: 1403  
Quantity → (Q) QTY: 10000



lot: 140106049X: 140106---2014/1/6; 049----lot number:49; X: product code

Environment Label



Halide-free Label





## SBR5100

### 4. Update Record

版次	更新记录	更新作者	更新日期
1	第一版	周杰	2013.12.13
2	更新产品尺寸为T0-277A	周杰	2014-1-17