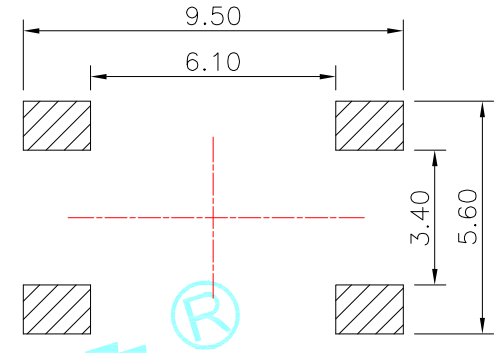
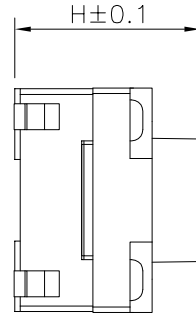
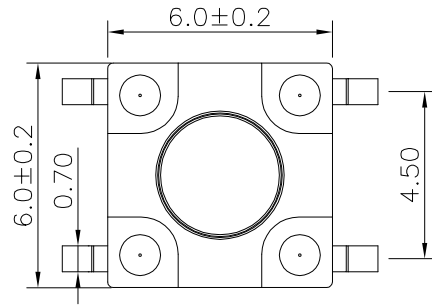
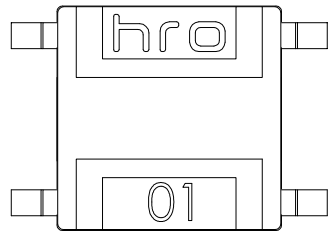
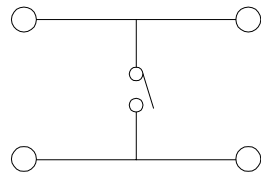
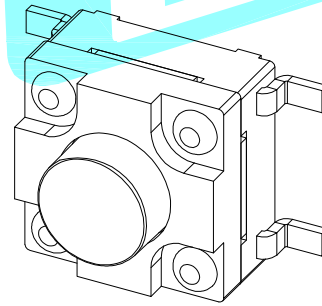
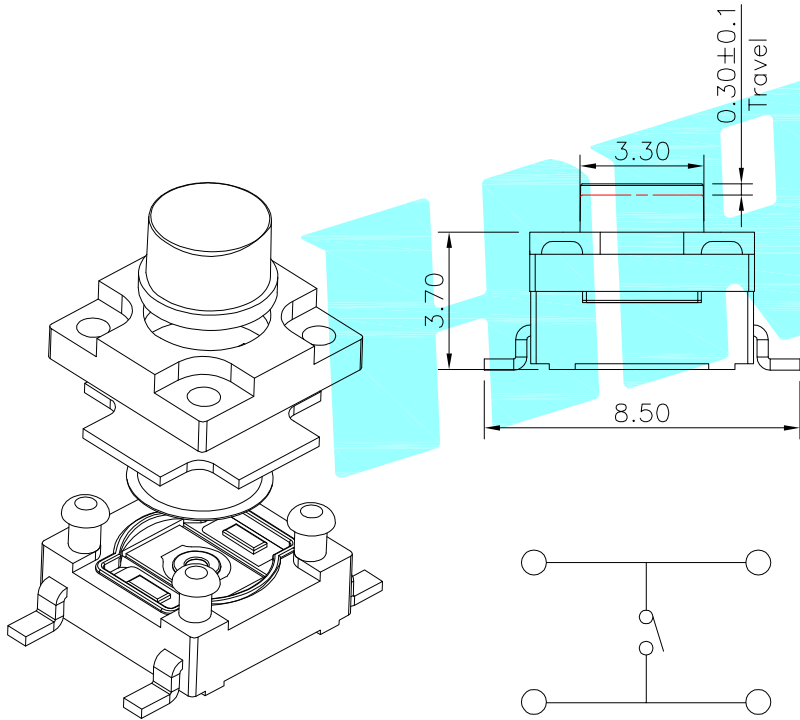


ROHS



PCB Layout(Pattern side)



Circuit Diagram

NOTE:
Waterproof:IEC IP67

| NO.1 | | | |
|---------|------|---------|------|
| PART NO | H | PART NO | H |
| A | 4.3 | O | 11 |
| B | 4.5 | P | 11.5 |
| C | 5 | Q | 12 |
| D | 5.5 | R | 12.5 |
| E | 6 | S | 13 |
| F | 6.5 | T | 13.5 |
| G | 7 | U | 14 |
| H | 7.5 | V | 15 |
| I | 8 | W | 16 |
| J | 8.5 | X | 17 |
| K | 9 | Y | 18 |
| L | 9.5 | Z | 19 |
| M | 10 | 1 | 15.5 |
| N | 10.5 | 2 | 16.5 |

| NO.2 | |
|---------|--------|
| PART NO | vigor |
| 4 | 250±30 |
| 5 | 350±50 |

| NO.3 | |
|---------|--------------|
| PART NO | MATERIAL/QTY |
| S | SUS/1PC |

| NO.5-NO.6 | |
|-----------|---------------|
| PART NO | NOTE |
| 01~99 | SERIAL NUMBER |

| ⑥ | Waterproof Silicone | — | 1 | Silica gel | — | — |
|------|---------------------|---------|------|-------------|----------------|--------|
| ⑤ | Terminal | — | 4 | Brass(0.3t) | Plating silver | — |
| ④ | Contact | — | 1 | F.Ag/SUS | — | — |
| ③ | Base | — | 1 | PPA | Black | — |
| ② | Cover | — | 1 | PPA | — | — |
| ① | Keystoke | — | 1 | PPA | Black | — |
| ITEM | PART NAME | TER'NO. | QTY. | MATERIAL | FINISHING | REMARK |

| APPROVALS | | DATE | HRO 華榮 ELECTRONICS CO.,LTD | | | | |
|-----------|--------|----------|-------------------------------|---|-------------|------------|---------------------|
| DRAWN | LIUCAN | 2021.7.2 | TITLE: | TACT SWITCHS | | | |
| CHECKED | | | PART NO. | K2-1839SP-□□SW-□□ | | | |
| APPROVALS | | | TOLERANCES ARE | 30~以上 ±0.30 10~30 ±0.20 5~10 ±0.15 ~ 5 ±0.10 | ANGLE | UNIT: mm | |
| | | | | ±2' | DRAWING NO. | SCALE: 1:1 | |
| ECN NO. | REV. | DATE. | DESCRIPTION. | CHANGE. | CHECK. | APPRO. | PROJ: SHEET 1 OF 1 |

| ECN NO. | REV. | DATE. | DESCRIPTION. | CHANGE. | CHECK. | APPRO. |
|---------|------|-------|--------------|---------|--------|--------|
| | A | | NEW | | | |