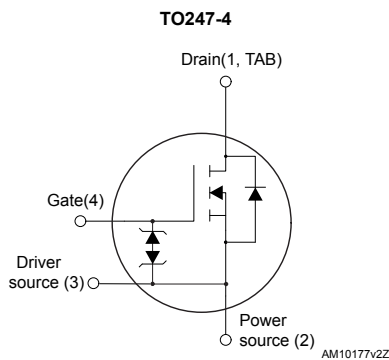
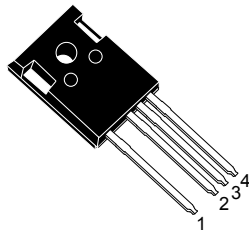


## N-channel 650 V, 33 mΩ typ., 75 A MDmesh DM6 Power MOSFET in a TO247-4 package



### Features

| Order code    | V <sub>DS</sub> | R <sub>DS(on)</sub> max. | I <sub>D</sub> |
|---------------|-----------------|--------------------------|----------------|
| STW75N65DM6-4 | 650 V           | 36 mΩ                    | 75 A           |

- Fast-recovery body diode
- Lower R<sub>DS(on)</sub> per area vs previous generation
- Low gate charge, input capacitance and resistance
- 100% avalanche tested
- Extremely high dv/dt ruggedness
- Zener-protected
- Excellent switching performance thanks to the extra driving source pin

### Applications

- Switching applications

### Description

This high-voltage N-channel Power MOSFET is part of the MDmesh DM6 fast-recovery diode series. Compared with the previous MDmesh fast generation, DM6 combines very low recovery charge (Q<sub>rr</sub>), recovery time (t<sub>rr</sub>) and excellent improvement in R<sub>DS(on)</sub> per area with one of the most effective switching behaviors available in the market for the most demanding high-efficiency bridge topologies and ZVS phase-shift converters.

#### Product status link

[STW75N65DM6-4](#)

#### Product summary

|            |               |
|------------|---------------|
| Order code | STW75N65DM6-4 |
| Marking    | 75N65DM6      |
| Package    | TO247-4       |
| Packing    | Tube          |

# 1 Electrical ratings

**Table 1. Absolute maximum ratings**

| Symbol         | Parameter   | Value      | Unit             |
|----------------|---|------------|------------------|
| $V_{GS}$       | Gate-source voltage   | $\pm 25$   | V                |
| $I_D$          | Drain current (continuous) at $T_C = 25\text{ }^\circ\text{C}$  | 75         | A                |
|                | Drain current (continuous) at $T_C = 100\text{ }^\circ\text{C}$ | 47         |                  |
| $I_{DM}^{(1)}$ | Drain current (pulsed)  | 280        | A                |
| $P_{TOT}$      | Total power dissipation at $T_C = 25\text{ }^\circ\text{C}$     | 480        | W                |
| $dv/dt^{(2)}$  | Peak diode recovery voltage slope                               | 100        | V/ns             |
| $di/dt^{(2)}$  | Peak diode recovery current slope                               | 1000       | A/ $\mu\text{s}$ |
| $dv/dt^{(3)}$  | MOSFET $dv/dt$ ruggedness                                       | 100        | V/ns             |
| $T_{STG}$      | Storage temperature range                                       | -55 to 150 | $^\circ\text{C}$ |
| $T_J$          | Operating junction temperature range                            |            | $^\circ\text{C}$ |

1. Pulse width limited by safe operating area.
2.  $I_{SD} \leq 75\text{ A}$ ,  $V_{DS(peak)} < V_{(BR)DSS}$ ,  $V_{DD} = 400\text{ V}$ .
3.  $V_{DS} \leq 520\text{ V}$ .

**Table 2. Thermal data**

| Symbol     | Parameter                               | Value | Unit               |
|------------|---|-------|--------------------|
| $R_{thJC}$ | Thermal resistance, junction-to-case    | 0.26  | $^\circ\text{C/W}$ |
| $R_{thJA}$ | Thermal resistance, junction-to-ambient | 50    | $^\circ\text{C/W}$ |

**Table 3. Avalanche characteristics**

| Symbol   | Parameter  | Value | Unit |
|----------|--|-------|------|
| $I_{AR}$ | Avalanche current, repetitive or not repetitive ( $t_p$ limited by $T_J$ max)  | 9     | A    |
| $E_{AS}$ | Single pulse avalanche energy (starting $T_J = 25\text{ }^\circ\text{C}$ , $I_D = I_{AR}$ ; $V_{DD} = 50\text{ V}$ ) | 1.9   | J    |

## 2 Electrical characteristics

$T_C = 25\text{ °C}$  unless otherwise specified

**Table 4. On/off states**

| Symbol        | Parameter                         | Test conditions  | Min. | Typ. | Max.    | Unit          |
|---------------|-----------------------------------|--|------|------|---------|---------------|
| $V_{(BR)DSS}$ | Drain-source breakdown voltage    | $V_{GS} = 0\text{ V}$ , $I_D = 1\text{ mA}$  | 650  |      |         | V             |
| $I_{DSS}$     | Zero gate voltage drain current   | $V_{GS} = 0\text{ V}$ , $V_{DS} = 650\text{ V}$  |      |      | 5       | $\mu\text{A}$ |
|               |                                   | $V_{GS} = 0\text{ V}$ , $V_{DS} = 650\text{ V}$ , $T_C = 125\text{ °C}$ <sup>(1)</sup> |      |      | 100     |               |
| $I_{GSS}$     | Gate-body leakage current         | $V_{DS} = 0\text{ V}$ , $V_{GS} = \pm 25\text{ V}$                                     |      |      | $\pm 5$ | $\mu\text{A}$ |
| $V_{GS(th)}$  | Gate threshold voltage            | $V_{DS} = V_{GS}$ , $I_D = 250\text{ }\mu\text{A}$                                     | 3.25 | 4    | 4.75    | V             |
| $R_{DS(on)}$  | Static drain-source on resistance | $V_{GS} = 10\text{ V}$ , $I_D = 37.5\text{ A}$   |      | 33   | 36      | m $\Omega$    |

1. Specified By Design – Not tested in production.

**Table 5. Dynamic characteristics**

| Symbol              | Parameter                     | Test conditions   | Min. | Typ. | Max. | Unit     |
|---------------------|-------------------------------|---|------|------|------|----------|
| $C_{iss}$           | Input capacitance             | $V_{DS} = 100\text{ V}$ , $f = 1\text{ MHz}$ , $V_{GS} = 0\text{ V}$  | -    | 5700 | -    | pF       |
| $C_{oss}$           | Output capacitance            |   | -    | 280  | -    | pF       |
| $C_{rSS}$           | Reverse transfer capacitance  |   | -    | 3    | -    | pF       |
| $C_{oss\ eq}^{(1)}$ | Equivalent output capacitance | $V_{DS} = 0\text{ to }520\text{ V}$ , $V_{GS} = 0\text{ V}$   | -    | 960  | -    | pF       |
| $R_G$               | Intrinsic gate resistance     | $f = 1\text{ MHz}$ , $I_D = 0\text{ A}$   | -    | 1.5  | -    | $\Omega$ |
| $Q_g$               | Total gate charge             | $V_{DD} = 520\text{ V}$ , $I_D = 77\text{ A}$ , $V_{GS} = 0\text{ to }10\text{ V}$ (see Figure 14. Test circuit for gate charge behavior) | -    | 118  | -    | nC       |
| $Q_{gs}$            | Gate-source charge            |   | -    | 38   | -    | nC       |
| $Q_{gd}$            | Gate-drain charge             |   | -    | 47   | -    | nC       |

1.  $C_{oss\ eq}$  is defined as a constant equivalent capacitance giving the same charging time as  $C_{oss}$  when  $V_{DS}$  increases from 0 to 80%  $V_{DSS}$ .

**Table 6. Switching times**

| Symbol       | Parameter           | Test conditions  | Min. | Typ. | Max. | Unit |
|--------------|---------------------|--|------|------|------|------|
| $t_{d(on)}$  | Turn-on delay time  | $V_{DD} = 325\text{ V}$ , $I_D = 38.5\text{ A}$ ,<br>$R_G = 4.7\text{ }\Omega$ , $V_{GS} = 10\text{ V}$<br>(see Figure 13. Switching times test circuit for resistive load and Figure 18. Switching time waveform) | -    | 40   | -    | ns   |
| $t_r$        | Rise time           |  | -    | 18   | -    | ns   |
| $t_{d(off)}$ | Turn-off delay time |  | -    | 130  | -    | ns   |
| $t_f$        | Fall time           |  | -    | 10   | -    | ns   |

**Table 7. Source-drain diode**

| Symbol          | Parameter                     | Test conditions  | Min. | Typ. | Max. | Unit          |
|-----------------|-------------------------------|--|------|------|------|---------------|
| $I_{SD}$        | Source-drain current          |  | -    |      | 75   | A             |
| $I_{SDM}^{(1)}$ | Source-drain current (pulsed) |  | -    |      | 280  | A             |
| $V_{SD}^{(2)}$  | Forward on voltage            | $V_{GS} = 0\text{ V}$ , $I_{SD} = 75\text{ A}$   | -    |      | 1.6  | V             |
| $t_{rr}$        | Reverse recovery time         | $I_{SD} = 77\text{ A}$ , $di/dt = 100\text{ A}/\mu\text{s}$ , $V_{DD} = 60\text{ V}$<br>(see Figure 15. Test circuit for inductive load switching and diode recovery times)  | -    | 149  |      | ns            |
| $Q_{rr}$        | Reverse recovery charge       |  | -    | 0.92 |      | $\mu\text{C}$ |
| $I_{RRM}$       | Reverse recovery current      |  | -    | 10.4 |      | A             |
| $t_{rr}$        | Reverse recovery time         | $I_{SD} = 77\text{ A}$ , $di/dt = 100\text{ A}/\mu\text{s}$ ,<br>$V_{DD} = 60\text{ V}$ , $T_J = 150\text{ }^\circ\text{C}$<br>(see Figure 15. Test circuit for inductive load switching and diode recovery times) | -    | 280  |      | ns            |
| $Q_{rr}$        | Reverse recovery charge       |  | -    | 4.12 |      | $\mu\text{C}$ |
| $I_{RRM}$       | Reverse recovery current      |  | -    | 24   |      | A             |

1. Pulse width is limited by safe operating area.
2. Pulsed: pulse duration = 300  $\mu\text{s}$ , duty cycle 1.5%.

## 2.1 Electrical characteristics (curves)

Figure 1. Safe operating area

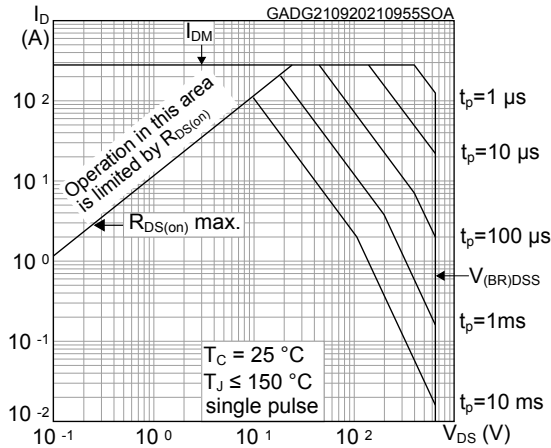


Figure 2. Maximum transient thermal impedance

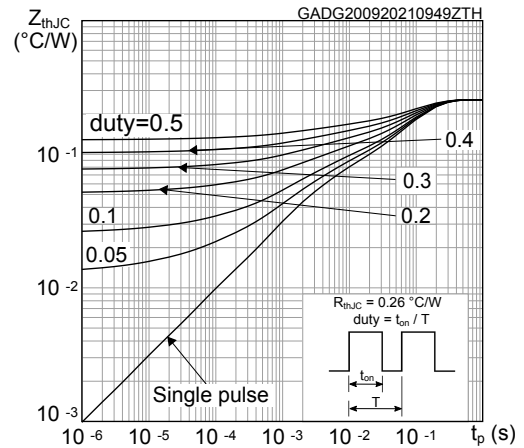


Figure 3. Typical output characteristics

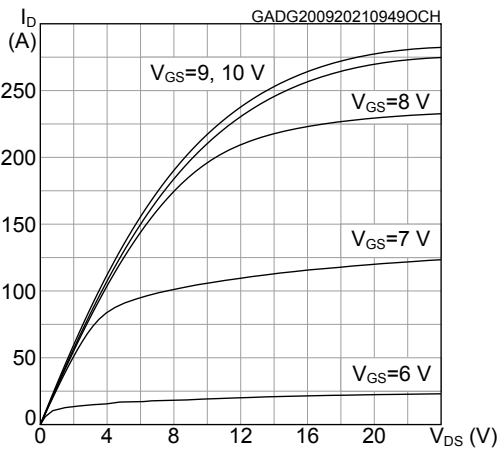


Figure 4. Typical transfer characteristics

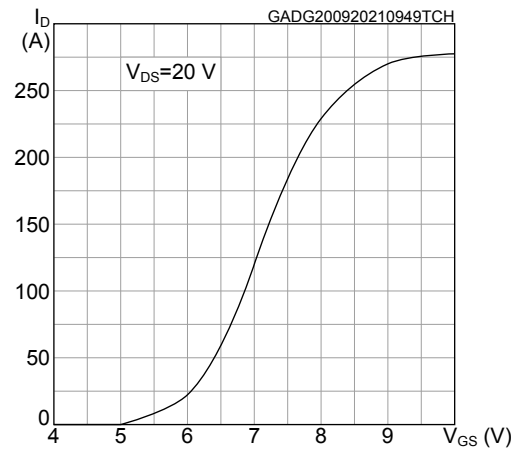


Figure 5. Typical gate charge characteristics

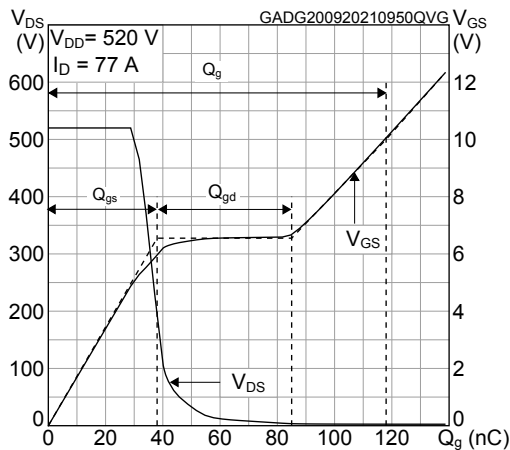
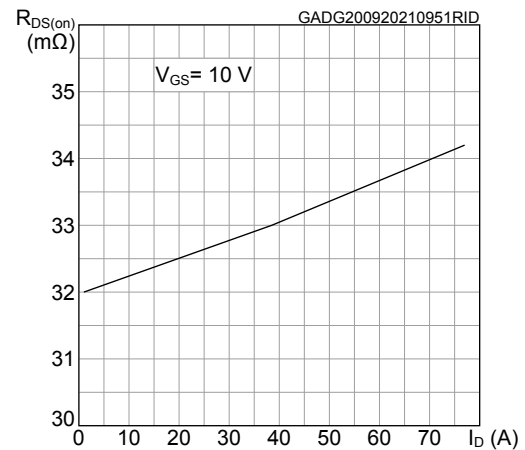
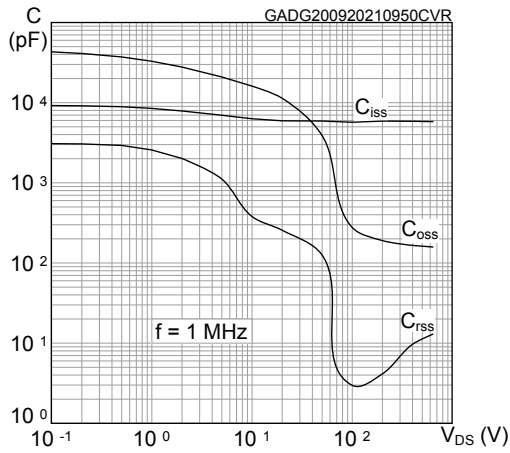


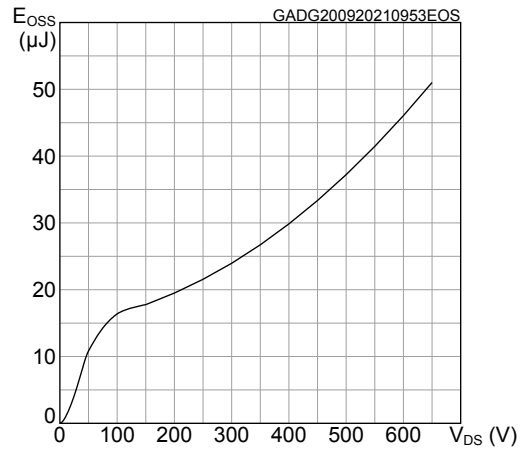
Figure 6. Typical drain-source on-resistance



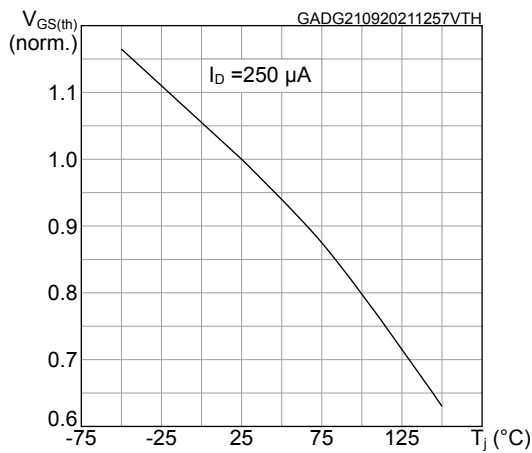
**Figure 7. Typical capacitance characteristics**



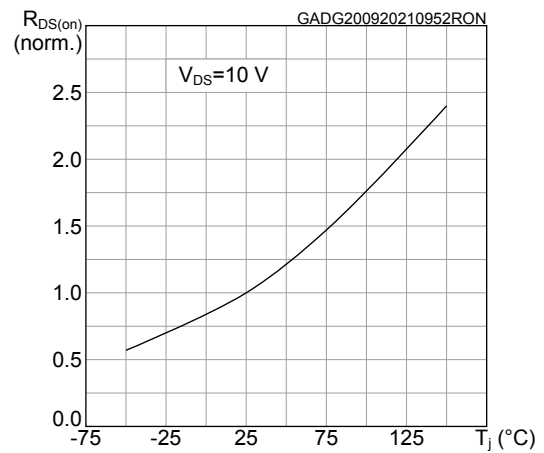
**Figure 8. Typical output capacitance stored energy**



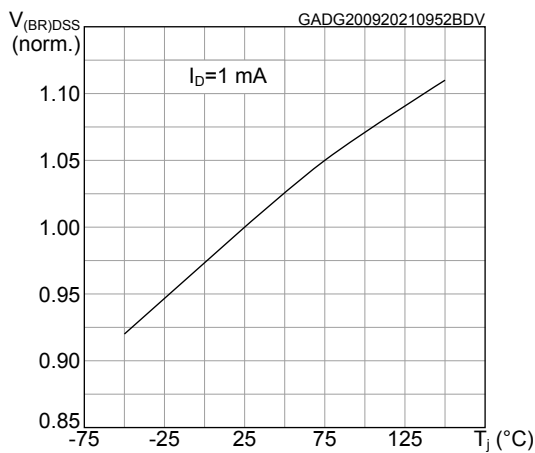
**Figure 9. Normalized gate threshold vs temperature**



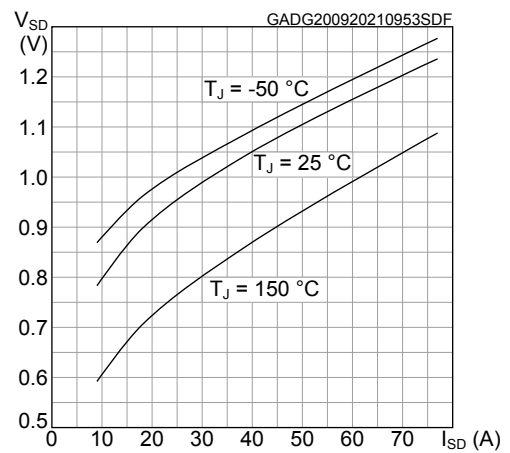
**Figure 10. Normalized on-resistance vs. temperature**



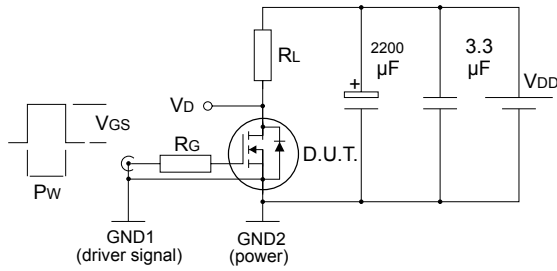
**Figure 11. Normalized breakdown voltage vs temperature**



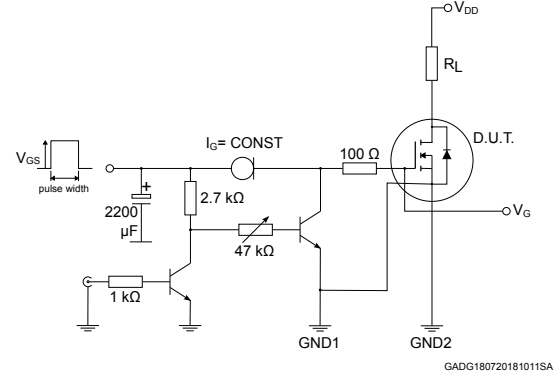
**Figure 12. Typical reverse diode forward characteristics**



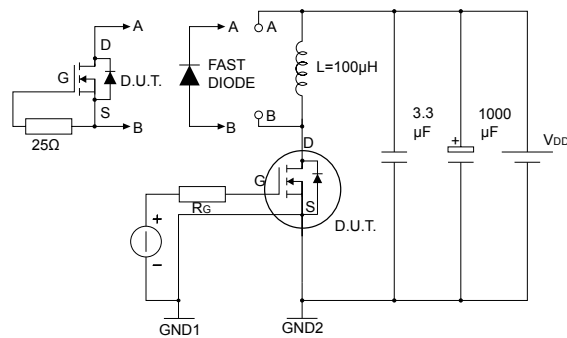
### 3 Test circuits

**Figure 13. Switching times test circuit for resistive load**


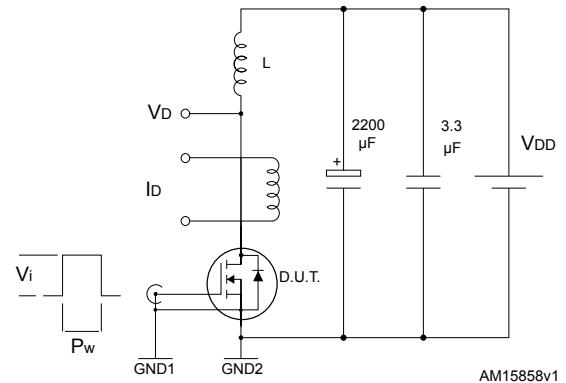
AM15855v1

**Figure 14. Test circuit for gate charge behavior**


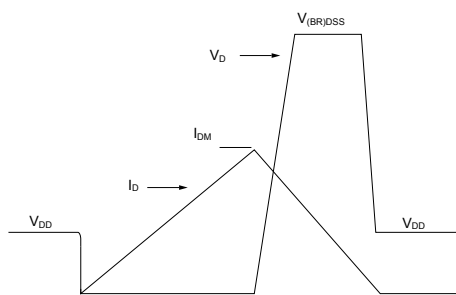
GADG180720181011SA

**Figure 15. Test circuit for inductive load switching and diode recovery times**


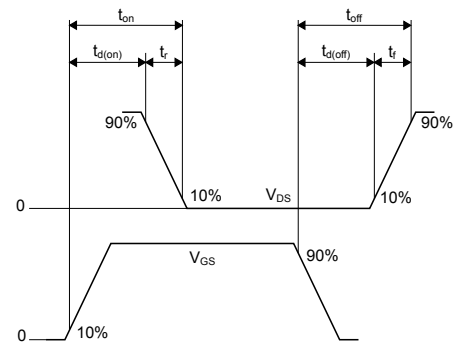
AM15857v1

**Figure 16. Unclamped inductive load test circuit**


AM15858v1

**Figure 17. Unclamped inductive waveform**


AM01472v1

**Figure 18. Switching time waveform**


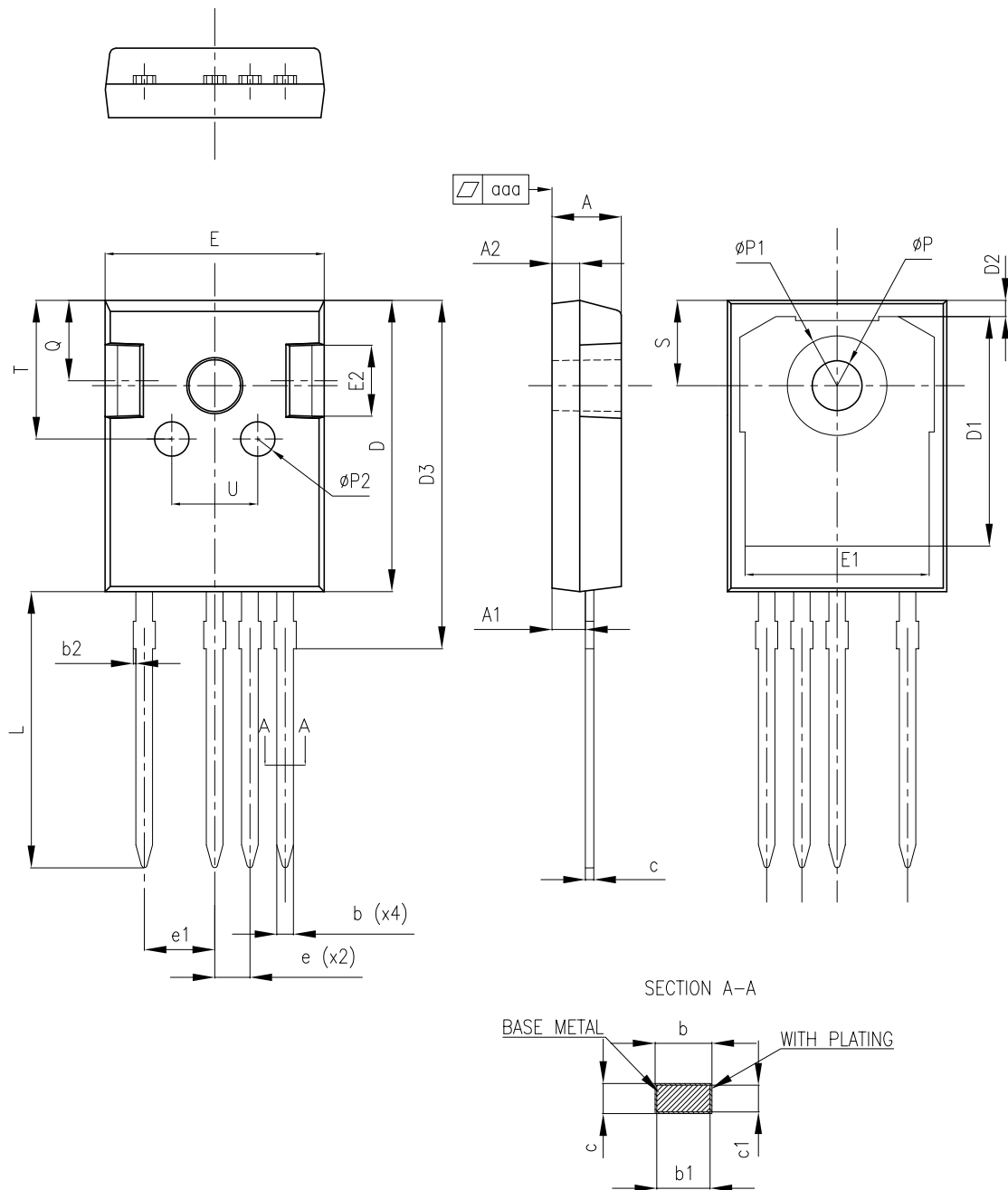
AM01473v1

## 4 Package information

In order to meet environmental requirements, ST offers these devices in different grades of **ECOPACK** packages, depending on their level of environmental compliance. ECOPACK specifications, grade definitions and product status are available at: [www.st.com](http://www.st.com). ECOPACK is an ST trademark.

### 4.1 TO-247 package information

Figure 19. TO247-4 package outline





**Table 8. TO247-4 mechanical data**

| Dim. | mm    |       |       |
|------|-------|-------|-------|
|      | Min.  | Typ.  | Max.  |
| A    | 4.90  | 5.00  | 5.10  |
| A1   | 2.31  | 2.41  | 2.51  |
| A2   | 1.90  | 2.00  | 2.10  |
| b    | 1.16  |       | 1.29  |
| b1   | 1.15  | 1.20  | 1.25  |
| b2   | 0     |       | 0.20  |
| c    | 0.59  |       | 0.66  |
| c1   | 0.58  | 0.60  | 0.62  |
| D    | 20.90 | 21.00 | 21.10 |
| D1   | 16.25 | 16.55 | 16.85 |
| D2   | 1.05  | 1.20  | 1.35  |
| D3   | 24.97 | 25.12 | 25.27 |
| E    | 15.70 | 15.80 | 15.90 |
| E1   | 13.10 | 13.30 | 13.50 |
| E2   | 4.90  | 5.00  | 5.10  |
| E3   | 2.40  | 2.50  | 2.60  |
| e    | 2.44  | 2.54  | 2.64  |
| e1   | 4.98  | 5.08  | 5.18  |
| L    | 19.80 | 19.92 | 20.10 |
| P    | 3.50  | 3.60  | 3.70  |
| P1   |       |       | 7.40  |
| P2   | 2.40  | 2.50  | 2.60  |
| Q    | 5.60  |       | 6.00  |
| S    |       | 6.15  |       |
| T    | 9.80  |       | 10.20 |
| U    | 6.00  |       | 6.40  |
| aaa  |       | 0.04  | 0.10  |

## Revision history

**Table 9. Document revision history**

| Date        | Revision | Changes        |
|-------------|----------|----------------|
| 24-Sep-2021 | 1        | First release. |

## Contents

|            |  |           |
|------------|--|-----------|
| <b>1</b>   | <b>Electrical ratings</b> .....                  | <b>2</b>  |
| <b>2</b>   | <b>Electrical characteristics</b> .....          | <b>3</b>  |
| <b>2.1</b> | <b>Electrical characteristics (curves)</b> ..... | <b>5</b>  |
| <b>3</b>   | <b>Test circuits</b> .....                       | <b>7</b>  |
| <b>4</b>   | <b>Package information</b> .....                 | <b>8</b>  |
| <b>4.1</b> | <b>TO-247 package information</b> .....          | <b>8</b>  |
|            | <b>Revision history</b> .....                    | <b>10</b> |

**IMPORTANT NOTICE – PLEASE READ CAREFULLY**

STMicroelectronics NV and its subsidiaries (“ST”) reserve the right to make changes, corrections, enhancements, modifications, and improvements to ST products and/or to this document at any time without notice. Purchasers should obtain the latest relevant information on ST products before placing orders. ST products are sold pursuant to ST’s terms and conditions of sale in place at the time of order acknowledgement.

Purchasers are solely responsible for the choice, selection, and use of ST products and ST assumes no liability for application assistance or the design of Purchasers’ products.

No license, express or implied, to any intellectual property right is granted by ST herein.

Resale of ST products with provisions different from the information set forth herein shall void any warranty granted by ST for such product.

ST and the ST logo are trademarks of ST. For additional information about ST trademarks, please refer to [www.st.com/trademarks](http://www.st.com/trademarks). All other product or service names are the property of their respective owners.

Information in this document supersedes and replaces information previously supplied in any prior versions of this document.

© 2021 STMicroelectronics – All rights reserved