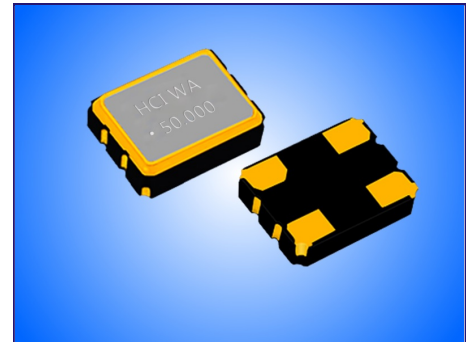


OSCILLATOR UNIT WITH CMOS OUTPUT IN SMD 3.2x2.5mm CERAMIC SEAM SEAL PACKAGE.
PRODUCT FEATURES

- Small dimensions 3.2x2.5x1.0 with 4 solder pads.
- Tight stabilities over temperature range.
- Tri-state enable/ disable function (pad 1).
- Automotive compliance to AEC-Q200 available.
- ROHS compliant, LEAD-FREE, HALOGEN-FREE and REACH compliant.

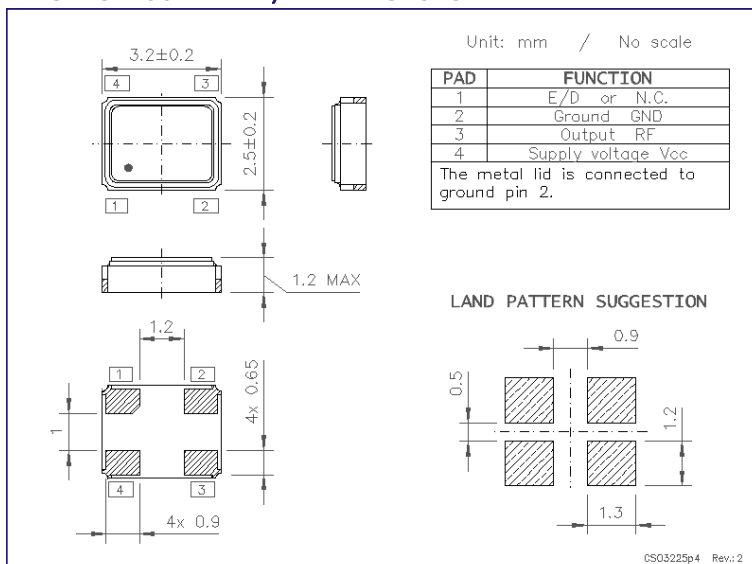
PRODUCT PHOTO (NOT IN SCALE)

APPLICATIONS

- WiFi / WiMAX / Bluetooth
- Mobil phone
- Set-top Box / HDTV

PRODUCT SPECIFICATIONS

| PARAMETER | SUPPLY VOLTAGE | | | REMARKS |
|-----------------------------|--|---------------|---------------|-----------------------------------|
| | 1.8V | 2.5V | 3.3V | |
| Frequency range | 1.25 ~ 125MHz | 1.25 ~ 125MHz | 1.25 ~ 125MHz | 32.768kHz available |
| Frequency stability | ±20ppm / ±25ppm / ±50ppm | | | See note below |
| Operating temperature range | -10 to +60°C / -20 to +70°C / -40 to +85°C | | | options available |
| Aging first year | ±3.0ppm | | | @+25°C |
| Supply current | 7mA | 10mA | 15mA | with load 15pF |
| Output waveform and load | LVCMOS 15pF | | | 30pF optional |
| Output voltage level HIGH | 1.62V | 2.25V | 2.97V | Minimum |
| Output voltage level LOW | 0.18V | 0.25V | 0.33V | Maximum |
| Rise and Fall times | 5ns | 4ns | 3ns | <10MHz @10~90% of V _{CC} |
| | 4ns | 3ns | 3ns | ≥10MHz @10~90% of V _{CC} |
| Symmetry (duty cycle) | 45~55% or 40~60% | | | @ 50%V _{CC} |
| Phase jitter RMS | <1ps | | | 12kHz ≤ F _j ≤ 20MHz |

Note: Stability includes frequency deviations at +25°C, over temperature range, due to supply voltage changes, output load changes, shock and vibration.

PACKAGE OUTLINE / DIMENSIONS

PACKAGING INFORMATION

- Tape & Reel compliant to EIA-481.
- Embossed carrier width 8mm.
- Component pitch in carrier 4mm.
- Reel diameter 180mm.
- QTY per reel: 3,000pcs

RECOMMENDED REFLOW PROFILE
