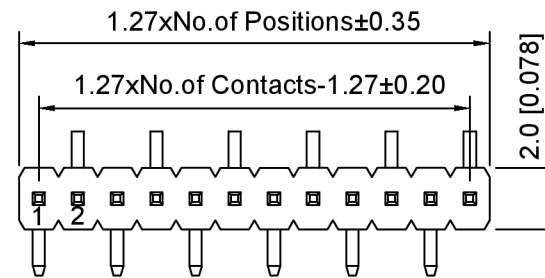
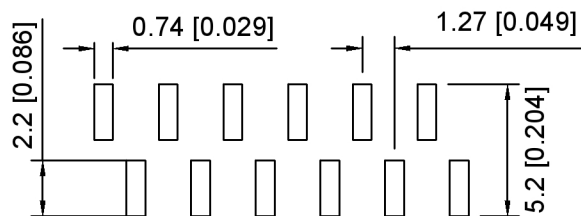
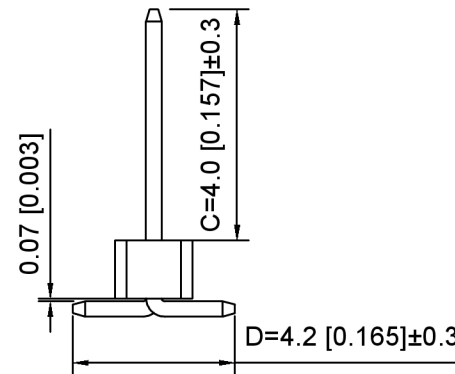
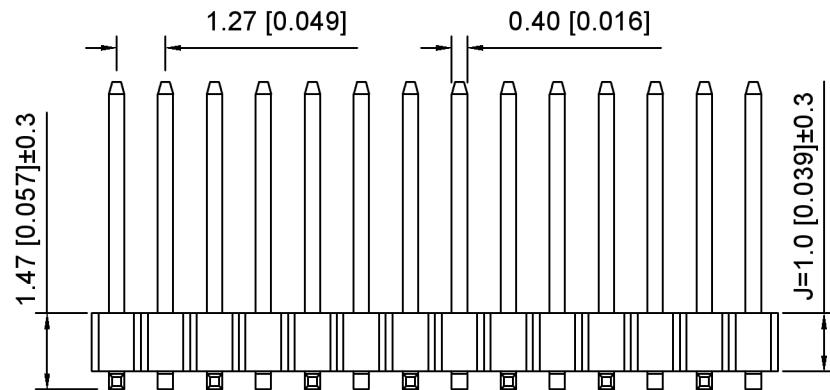


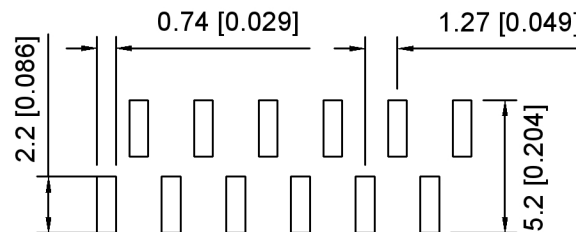
R1



R2



R1



R2

P.C.B LAYOUT

Specifications:  
 规格:  
 Voltage rating:250V AC/DC  
 额定电压: 250V AC/DC  
 Current rating:1A AC/DC  
 额定电流: 1A AC/DC  
 Withstanding voltage:300V AC/minute  
 耐受电压: 300V AC/分钟  
 Temperature range:-40°C-+105°C  
 温度范围: -40°C-+105°C  
 Insulation resistance:≥500MΩ  
 绝缘电阻: ≥500MΩ  
 Contact resistance:≤20mΩ  
 接触电阻: ≤20mΩ  
 Material:PA6T UL94V-0  
 材质: PA6T UL94V-0  
 Plating Category:1U"Gold  
 镀层: 1U"Gold  
 Reflow soldering temperature:260±5°C, 10S  
 回流焊温度: 260±5°C, 10S

X1311 W V S - XX J - C40 D42 X  
 ① ② ③ ④ ⑤ ⑥ ⑦ ⑧ ⑨

- 1.Series No.
- 2.Category:W-Water
- 3.Welding Board Angle:V-Stright 180°
- 4.Welding Way S-SMT
- 5.Row No -Pin No:XX Pin
- 6.Plastic height:J=1.0mm
- 7.Pin length: C=4.0mm
- 8.Pin length:D=4.2mm
- 9.Type:X-R1;R2

X1311WVS-XXJ-C40D42X	PA6T	Brass	X1311F
PART NO	Material	Material(Pin)	Suitable XKB Female

DSND		SCALE: N/A	MODEL TYPE: 1.27mm BTB Connector
DWN		VIEW:	PART NO.: X1311WVS-XXJ-C40D42X
CHKD		UNIT: mm/in	DWG NO.: X-X1311WVS-XXJ-C40D42X
APPD		SIZE: A4	



XKKB INDUSTRIAL PRECISION CO.,LIMITED

WEIGHT	SHEET	REVISION
	1/1	A0

广东星坤科技股份有限公司

Δ建	日期
Δ效	日期
ΔX	

文件工程草

MARK	DESCRIPTION	DATE	REVISED	APPROVED	ANGLAR	±5°
					L ≤ 4	±0.2
					4 < L ≤ 16	±0.3
					16 < L ≤ 63	±0.4
					L > 63	±0.5
REVISIONS					UNSPECIFIED TOLERANCES	