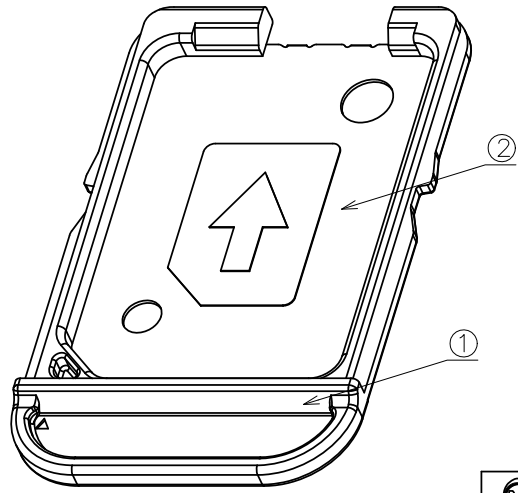
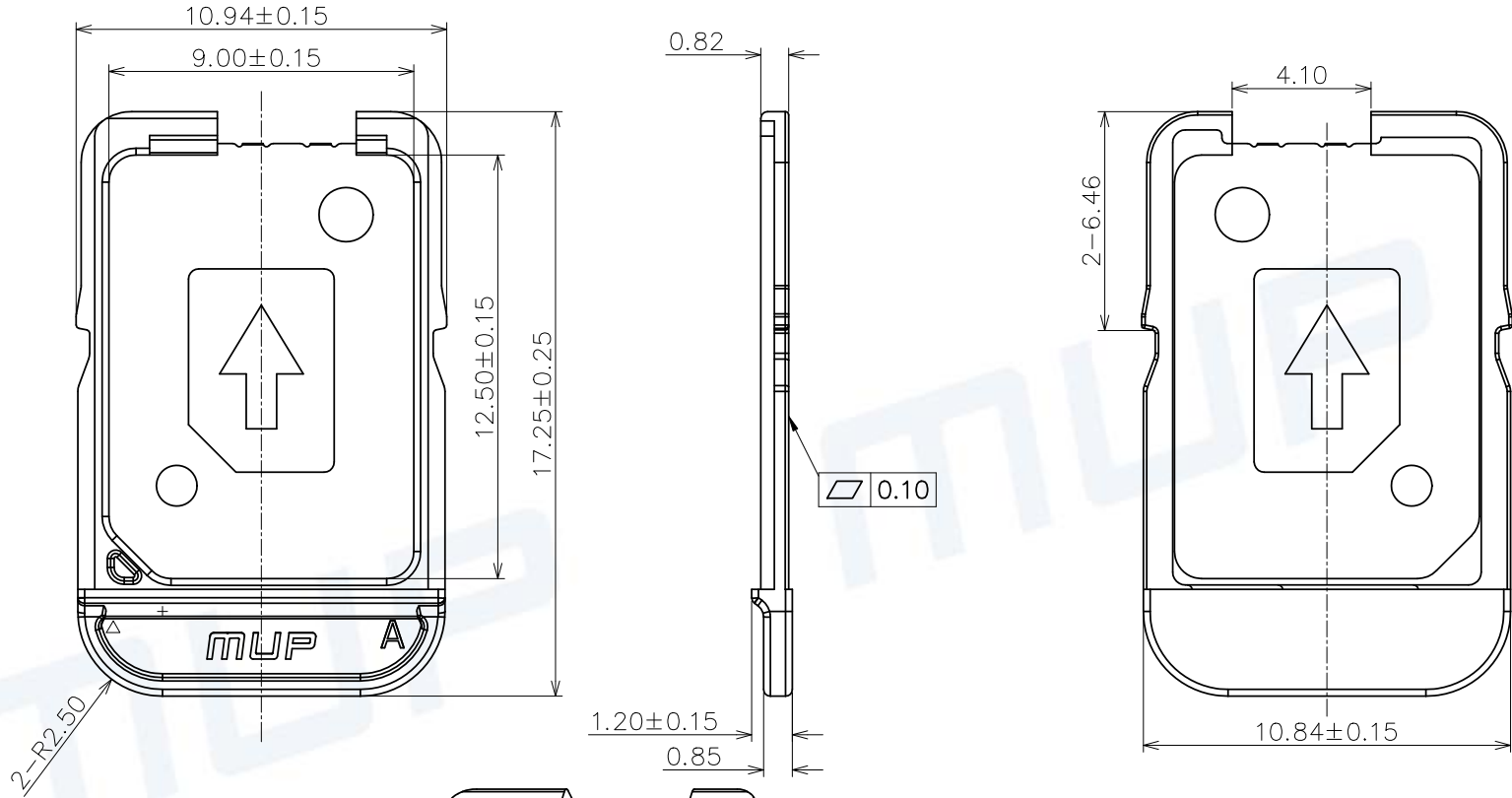


REV.	DESCRIPTION OF REVISIONS	APPR.	DRAW.	RELEASE	DATE
X1	NEW REVISION				Henry Jul.07.2019



NOTES:  
MATERIAL:  
HOUSING: PC+ABS,BLACK;  
SHEET METAL: STAINLESS STEEL

ITEM	PART NAME	Q'TY	MATERIAL	FINISH
1	HOUSING	1	PC+ABS	Black UL94V-0
2	METAL SHEET	1	STAINLESS STEEL	No plated

Unless otherwise specified, other tolerance are:

**MUP MUP INDUSTRIAL CO.,LTD.**

X ±0.35	X* ±5*	NAME:	<b>SIM CARD TRAY</b>	
X.X ±0.25	X.X* ±4*	MODEL NO:	<b>MUP-C7803-31</b>	
X.XX ±0.15	X.XX* ±3*	TYPE :	<b>Without Cap of the Card tray</b>	
X.XXX ±0.10	X.XXX* ±2*	PROJ.	Henry Jul.07.2019	DWG NO.:
		UNIT	mm	DWG-MUP-C7803-31
		SCALE	1:1	SHEET
				REVISION
				1/1
				X1

CUSTOMER DRAWING

APPROVAL Simon Jul.07.2019

