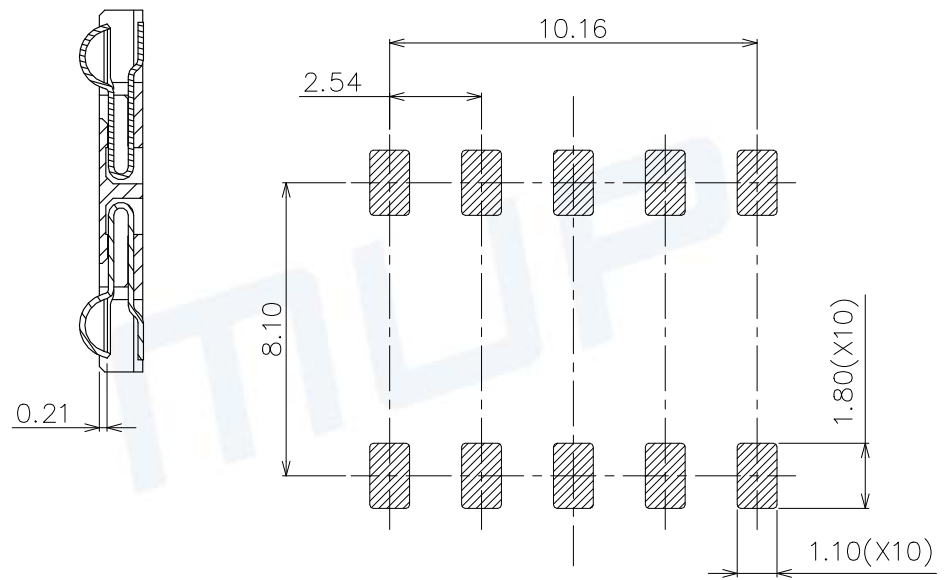
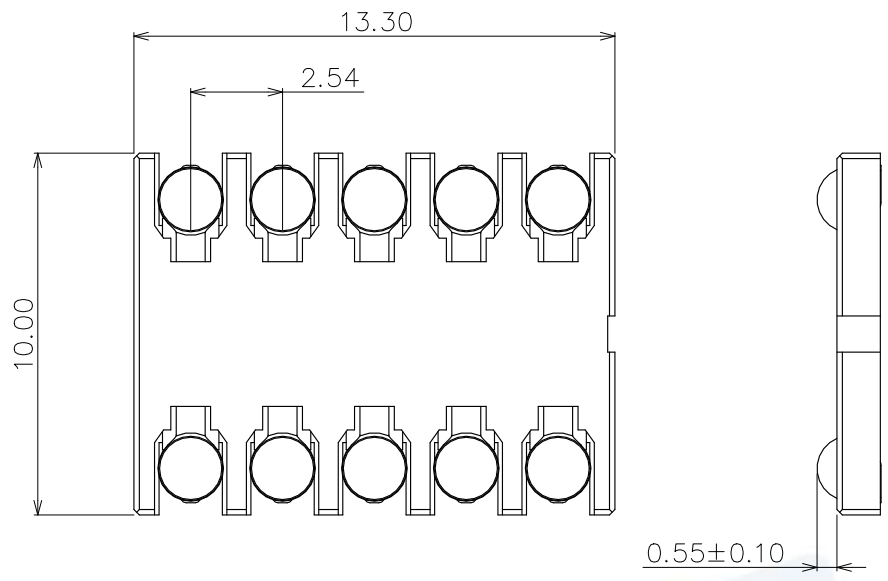


REV.	DESCRIPTION OF REVISIONS	APPR.	DRAW.	RELEASE	DATE
X1					
X2					



RECOMMENDED P.C.B LAYOUT
COMPONENT SIDE(TOLERANCE ±0.05)



TECHNICAL CHARACTERISTICS

- General Characteristics
H=1.20 mm
Durability: 2,000 cycles min.
- Electrical Characteristics
Contact resistance: 50mΩ typical, 100mΩ max
Insulation resistance: >1000MΩ/500V DC
- Solderability
IR reflow: 250°C, 5sec. Max
- Environmental Characteristics
Operating temperature: -40°C~+85°C
Operating humidity: 10%~+95%RH

ITEM	PART NAME	Q'TY	MATERIAL	FINISH
1	HOUSING	1	LCP-S475	Black UL94V-0
2	CONTACT	10	C5191-EH	Contact area: 15u"Gold plated

Unless otherwise specified, other tolerance are:

MUP MUP INDUSTRIAL CO.,LTD.

X ±0.35	X* ±5°	NAME:	SIM Card Connector	
X.X ±0.25	X.X* ±4°	MODEL NO:	MUP-C7402-1	
X.XX ±0.15	X.XX* ±3°	TYPE :	H1.2 without post 10p	
X.XXX ±0.10	X.XXX* ±2°	PROJ.	UNIT	SCALE
		mm	1:1	
CUSTOMER DRAWING		DRAWN	HUABO 6.24.2021	DWG NO.:
		CHECKED	HUABO 6.21.2021	DWG-MUP-C7402-001
		APPROVAL	Wang 6.21.2021	SHEET
				1/1
				REVISION
				X1

