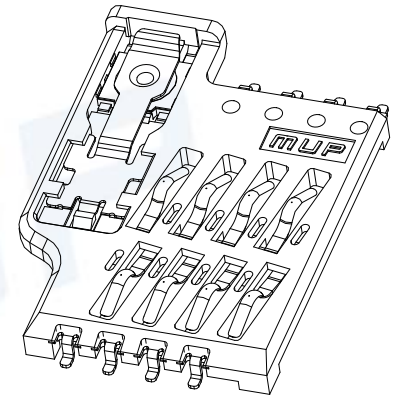
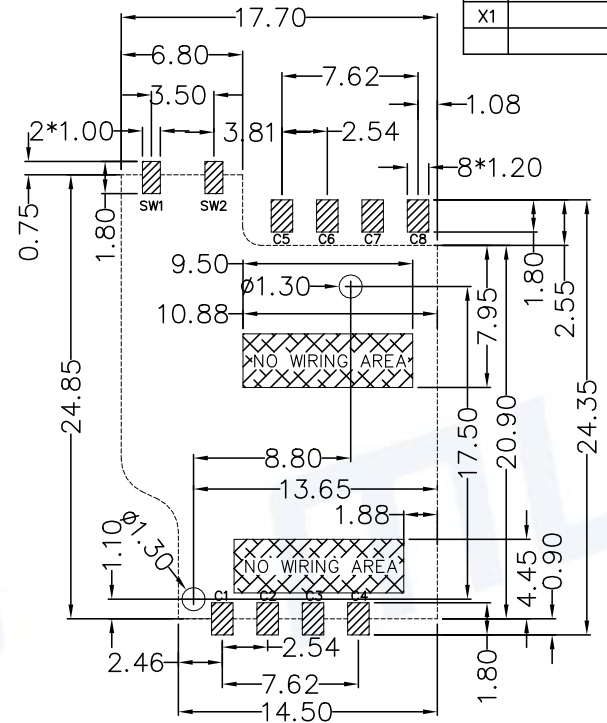
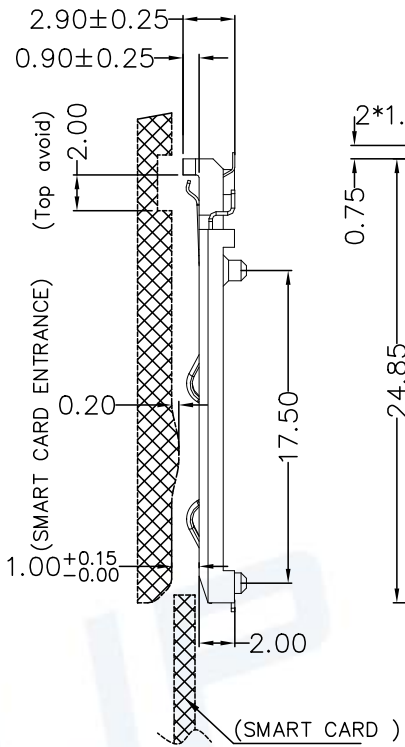
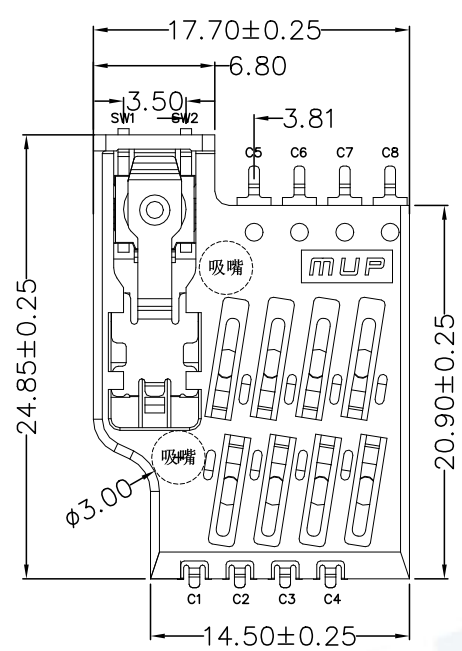
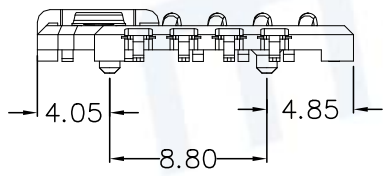


REV.	DESCRIPTION OF REVISIONS	APPR.	DRAW.	RELEASE	DATE
X1					



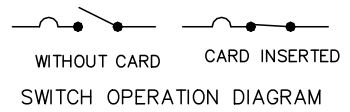
RECOMMENDED P.C.B LAYOUT  
 COMPONENT SIDE(TOLERANCE ±0.05)  
 Coplanarity of metal solder pins 0.15mm  
 Recommending of solder paste thickness > 0.15mm  
 ▨ PAD AREA    ▩ STAND OFF AREA



TECHNICAL CHARACTERISTICS

- General Characteristics  
 Dimensions: 24.85X17.70WX2.00H mm  
 Weight: Approx 0.95±0.3g  
 Durability: 300,000 cycles min.
- Electrical Characteristics  
 Contact resistance: 50mΩ typical, 100mΩ max  
 Insulation resistance: >1000MΩ/500V DC  
 Switch Contact resistance: 100mΩ typical, 200mΩ max  
 Switch Insulation resistance: 100MΩ min
- Solderability  
 Vapor phase: 215°C.30sec.Max  
 IR reflow: 260°C.10sec.Max  
 Manual soldering: 370°C, 3sec.Max
- Environmental Characteristics  
 Operating temperature: -40°C~+85°C  
 Operating humidity: 10%~+95%RH

ELECTRIC FUNCTION	DETECT SWITCH
WITHOUT CARD	OPEN
CARD INSERTED	CLOSED



ITEM	PART NAME	Q'TY	MATERIAL	FINISH
1	BASE	1	Hi-temp Thermoplastic	Black UL94V-0
2	DATA CONTACT	8	Copper Alloy	Contact area:Gold plated
3	SWITCH CONTACT	1		Contact area:Silver plated
4	FLAKE	1	SUS	

Unless otherwise specified, other tolerance are:

X	±0.35	X'	±5°
X.X	±0.25	X.X'	±4°
X.XX	±0.15	X.XX'	±3°
X.XXX	±0.10	X.XXX'	±2°

PROJ. UNIT mm SCALE 1:1

CUSTOMER DRAWING

APPROVAL: Zoey 2020.10.21, Keey 2020.10.21, Simon 2020.10.21

**MUP** MUP INDUSTRIAL CO.,LTD.

NAME: **Smart Card Acceptor**  
 MODEL NO: **MUP-C7310-3-H2.00 8P**  
 TYPE: **Normally open**

DWG NO.: DWG-MUP-C7310-003  
 SHEET 1/1 REVISION X1

