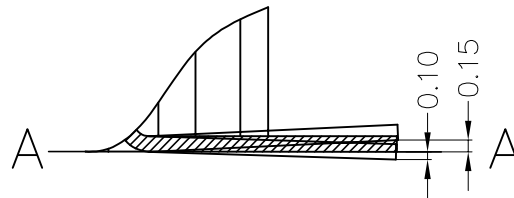
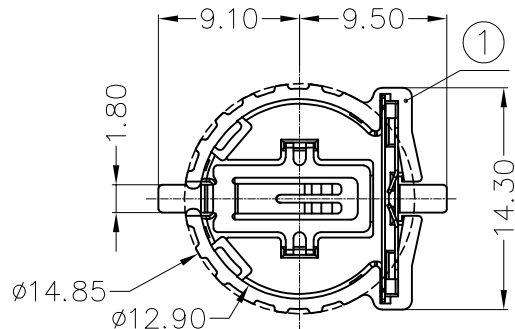
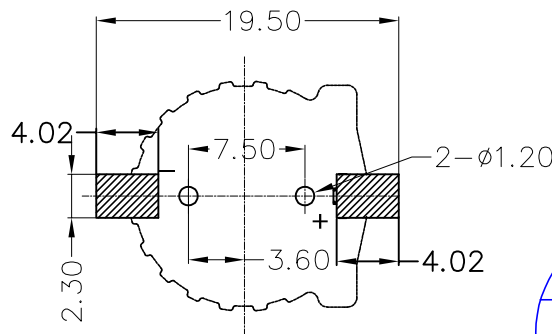
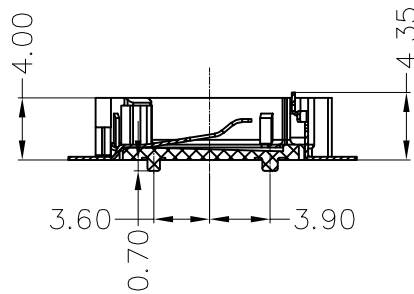




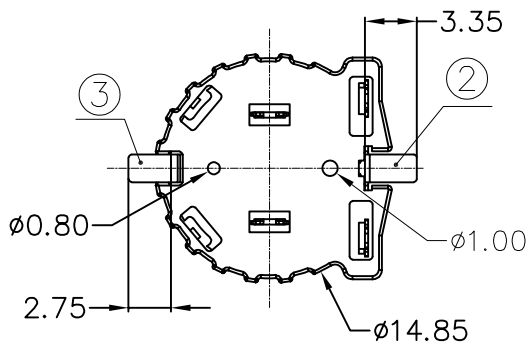
REV.	ECN NO.	REVISED	DATE



Flatness of terminals



PCB Layout Diagram
Top View



1.MATERIAL:

- a.HOUSING:PPS UL94V-0
- b.CONTACT:PHOSPHOR BRONZE
(SURFACE PLATING:AU1u")

SEE ORDERING INFORMATION

2.ELECTRIC:

- a.CONTACT RESISTANCE: 30 MILLIOHMS MAX
- b.INSULATION RESISTANCE: 1000 MEGA OHMS MIN
- c.DIELECTNIC VOLTAGE: 500V AC ONE SEC LEVEL
- d.OPERATING TEMPERATURE: -55°C~ +85°C

ORDERING INFORMATION

BS-12-B***013

电池座系列

BS-12系列

SMT 180° TYPE

PLATING:
A-Au1U"
J-Ni100U"~120U"
K-Sn100U"~120U"

MATERIAL:
1A-PBT BLACK
1B-PA66 BLACK
2A-PPA BROWN
2B-PPA BLACK
3A-PPS BROWN
3B-PPS BLACK
4A-LCP WHITE
4B-LCP BLACK

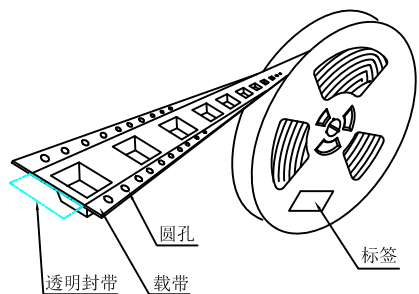
工程部
2022-08-27
LQ. HUANG

UNLESS OTHERWISE SPECIFIED TOLERANCES		MYOUNG 美用 www.meiyangdz.com	
DECIMALS: X :±0.30 X.X :±0.25 X.XX :±0.20 X.XXX :±0.10	ANGLES: X :±1° X.X :±0.5°	DSND YangFeng	DATE 2022-08-27
		CHKD ZhouRuicai	DATE 2022-08-27
		APVD XueShunyong	DATE 2022-08-27
WEIGHT:0.63g		SCALE:2:1	SIZE: A4
SHEET 1 OF 1		VIEW:	
		UNIT: mm	REV.: A/0
		OBJECT: MY	
		TITLE: BS-1225-2 PPS SMT	
		PART NO.: BS-12-B3AA013	
		DRAW NO.:WD-CP-0027	

NO.	PART NAME	Q'TY	MATERIAL	PLATING & COLOR
3	TERMINAL(-)	1	PHOSPHOR BRONZE, T=0.20mm	Gold Plating and Ni Under-Plating
2	TERMINAL(+)	1	PHOSPHOR BRONZE, T=0.20mm	Gold Plating and Ni Under-Plating
1	HOUSING	1	PPS	BROWN



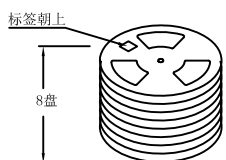
产品



透明封带 载带

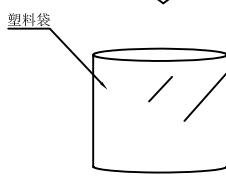
圆孔

标签

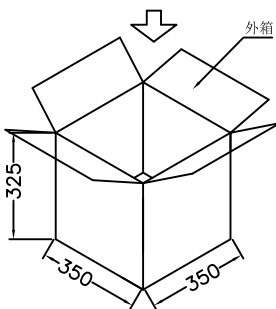


标签朝上

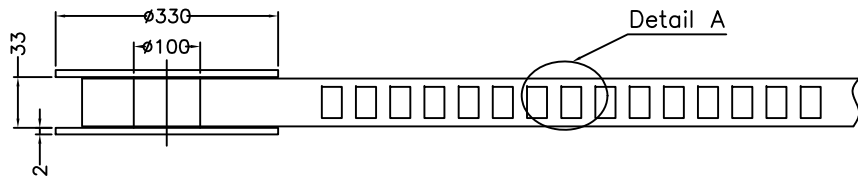
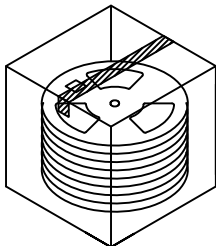
8盘



塑料袋



外箱



Detail A

33

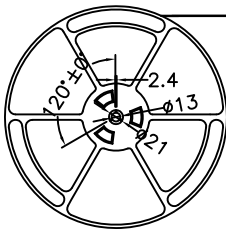
φ330

φ100

2

出料方向

剥离方向
余留封带长: 300 MIN
载带与封带剥离
剥离角度: 165°-180°
剥离强度: 0.1-1.0N
(300mm/min)



20±0.05

2.4

φ13

2.1

10空穴

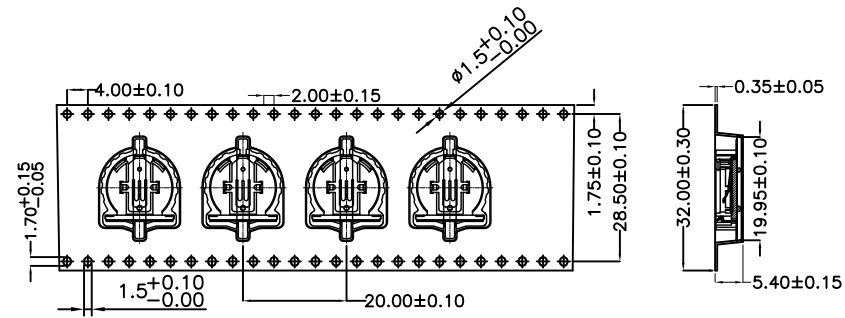
共封装 500 只产品

300MIN

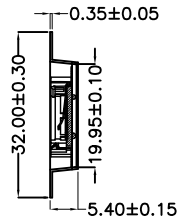
15空穴

末端留空穴载带

前端留空穴载带



Detail A



0.35±0.05

32.00±0.30

19.95±0.10

5.40±0.15



工程部

2021-10-11

H. WANG

技术要求:

1. 圆孔十个孔距离累计允许公差为±0.2mm
2. 带长250mm内容许弯曲度1mm
3. 材料厚度以在载带边缘测量为准
4. 所有尺寸定义依循EIA-481-C系准则定义之
5. 材料: 黑色PS T=0.35mm
6. 所有卷轮为灰蓝挖空旋转塑胶卷轮
7. 整模成型长度: 10.5M,
8. 非指明公差范围为: ±0.1mm; 超过250mm不计算累计误差
9. 型腔外形凡未标明处倒角R为0.2-0.3; 拔模斜度未标注的为3°以下

包装信息:

- 1、每卷盘装产品 500 只, 卷盘外侧贴相关标签;
- 2、每 8 卷盘放在一个塑料袋中;
- 3、每外箱装8盘, 产品总数: 4000 只;
- 4、外箱上下用胶纸封成“工”字;
- 5、净重: 2.4 KG, 毛重: 6.9 KG.

UNLESS OTHERWISE SPECIFIED TOLERANCES		MYOUNG 美阳 www.meiyangdz.com			
DECIMALS: X : ±*** X.X : ±*** X.XX : ±*** X.XXX : ±***	ANGLES: X : ±*** X.X : ±***	DSND	YangFeng	DATE	2021-10-11
		CHKD	ZhouRuicai	DATE	2021-10-11
		APVD	XueShun Yong	DATE	2021-10-11
WEIGHT:		SCALE:	3:1	SIZE:	A4
SHEET 1 OF 1		UNIT:	mm	REV.:	A/0
		VIEW:	④ ⊞	OBJECT:	MY
		TITLE:		BS-1220-2 SMT 卷装	
		PART NO.:		BS-12-B***00*-R	
		DRAW NO.:MY-BD-0011			