

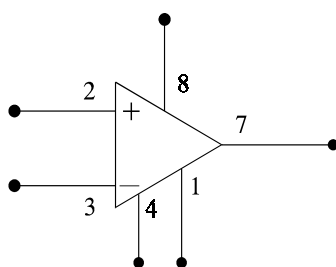
High Performance Voltage Comparators

The HT111, HT211 and HT311 are voltage comparators that have input currents nearly a thousand times lower than devices like the LM106 or LM710. They are also designed to operate over a wider range of supply voltages: from standard $\pm 15V$ op amp supplies down to the single 5V supply used for IC logic. Their output is compatible with RTL, DTL and TTL as well as MOS circuits. Further, they can drive lamps or relays, switching voltages up to 50V at currents as high as 50 mA. Both the inputs and the outputs of the HT111, HT211 or the HT311 can be isolated from system ground, and the output can drive loads referred to ground, the positive supply or the negative supply. Offset balancing and strobe capability are provided and outputs can be wire OR'ed. Although slower than the LM106 and LM710 (200 ns response time vs 40 ns)

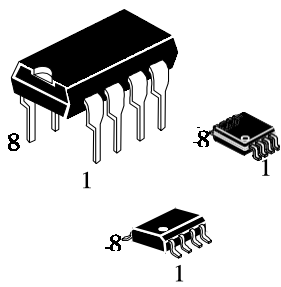
Features

- n Operates from single 5V supply
- n Input current: 150 nA max. over temperature
- n Offset current: 20 nA max. over temperature
- n Differential input voltage range: $\pm 30V$
- n Power consumption: 135 mW at $\pm 15V$

LOGIC DIAGRAM



Input polarity is reversed when GND pin is used as an output.



ORDERING INFORMATION

HT311ANZ DIP8
 HT311ARZ SOP8
 HT311ARMZ MSOP8

$T_A = -45^\circ C$ to $85^\circ C$ for all packages

PIN ASSIGNMENT

GND	1 ●	8	V_{CC}
Input	2	7	Output
Input	3	6	Balance/Strobe
V_{EE}	4	5	Balance

MAXIMUM RATINGS

Symbol	Parameter	Value	Unit
$V_{CC} + V_{EE} $	Total Supply Voltage	36	V
$V_O - V_{EE}$	Output to Negative Supply Voltage	40	V
V_{EE}	Ground to Negative Supply Voltage	30	V
V_{ID}	Input Differential Voltage	± 30	V
V_{IN}	Input Voltage (Note)	± 15	V
-	Voltage at Strobe Pin	V_{CC} to $V_{CC} - 5$	V
P_D $1/\theta_{JA}$	Power Dissipation and Thermal Characteristics Plastic Dual In-Line Packages Derate above $T_A = +25^\circ\text{C}$	625 5.0	mW mW/ $^\circ\text{C}$
$T_{J(\max)}$	Operating Junction Temperature	+150	$^\circ\text{C}$
Tstg	Storage Temperature Range	-60 to +150	$^\circ\text{C}$

Note: This rating applies for ± 15 volt supplies. The positive input voltage limit is 30 volts above the negative supply. The negative input voltage limit is equal to the negative supply voltage or 30 volts below the positive supply, whichever is less.

RECOMMENDED OPERATING CONDITIONS

Symbol	Parameter	Min	Max	Unit
$V_{CC} + V_{EE} $	Total Supply Voltage		30	V
T_A	Operating Temperature, All Package Types	-45	+85	$^\circ\text{C}$

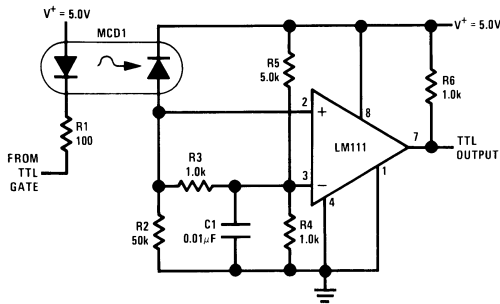
ELECTRICAL CHARACTERISTICS ($V_{CC} = +15\text{ V}$, $V_{EE} = -15\text{ V}$, $T_A = +25^\circ\text{C}$ unless otherwise noted [Note 1])

Symbol	Parameter	Test Conditions	Guaranteed Limits		Unit
			Min	Max	
V_{IO}	Input Offset Voltage (Note 2)	$R_S \leq 50\text{ k}\Omega$, $T_A = +25^\circ\text{C}$ $R_S \leq 50\text{ k}\Omega$, $-45^\circ\text{C} \leq T_A \leq 85^\circ\text{C}$		7.5 10	mV
I_{IO}	Input Offset Current (Note 2)	$T_A = +25^\circ\text{C}$ $-45^\circ\text{C} \leq T_A \leq 85^\circ\text{C}$		50 100	nA
I_{IB}	Input Bias Current	$T_A = +25^\circ\text{C}$ $T_A = -45^\circ\text{C}$ $T_A = +85^\circ\text{C}$		250 375 500	nA
A_V	Voltage Gain		150000		
t_{DLH}	Propagation Delay Time			300	ns
V_{DS}	Saturation Voltage	$T_A = +25^\circ\text{C}$ $V_{ID} \leq -10\text{ mV}$, $I_O = 50\text{ mA}$		1.5	V
V_{IR}	Input Voltage Range		-14.5	13.0	V
I_{CC}	Positive Supply Current			+7.5	mA
I_{EE}	Negative Supply Current			-5.0	mA

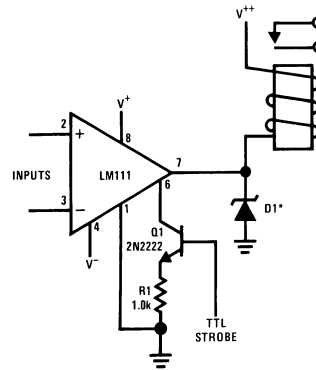
NOTES:

- Offset voltage, offset current and bias current specifications apply for a supply voltage range from a single 5.0 volt supply up to ± 15 volt supplies.
- The offset voltages and offset currents given are the maximum values required to drive the output within a volt of either supply with a 1.0 mA load. Thus, these parameters define an error band and take into account the "worst case" effects of voltage gain and input impedance.

Typical Applications (Note 3) (Continued)

Digital Transmission Isolator


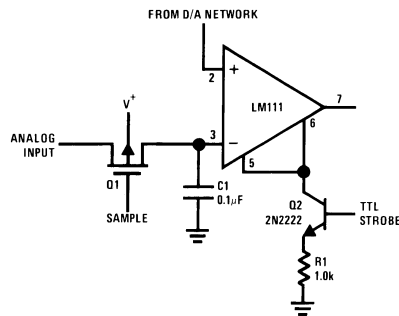
00570440

Relay Driver with Strobe


00570441

*Absorbs inductive kickback of relay and protects IC from severe voltage transients on V⁺ line.

Note: Do Not Ground Strobe Pin.

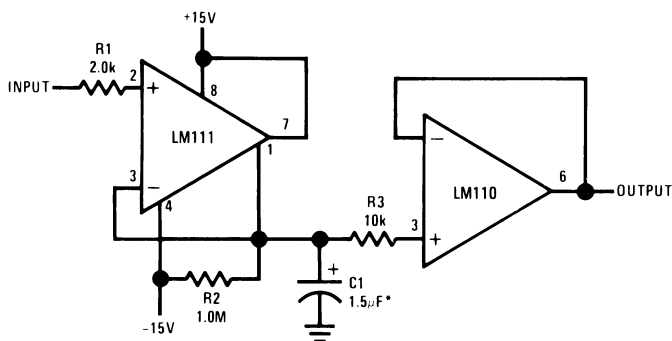
Strobing off Both Input and Output Stages (Note 2)


00570442

Note: Do Not Ground Strobe Pin.

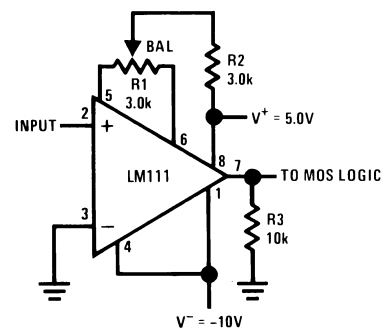
Note 2: Typical input current is 50 pA with inputs strobed off.

Note 3: Pin connections shown on schematic diagram and typical applications are for H08 metal can package.

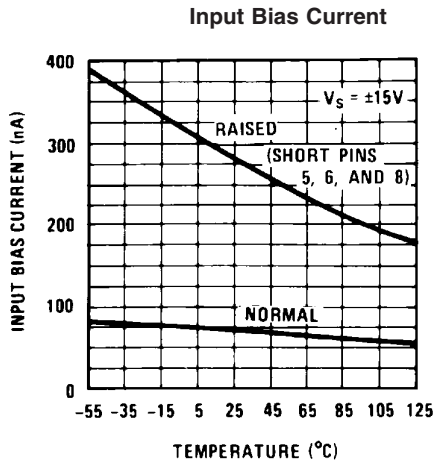
Positive Peak Detector


00570423

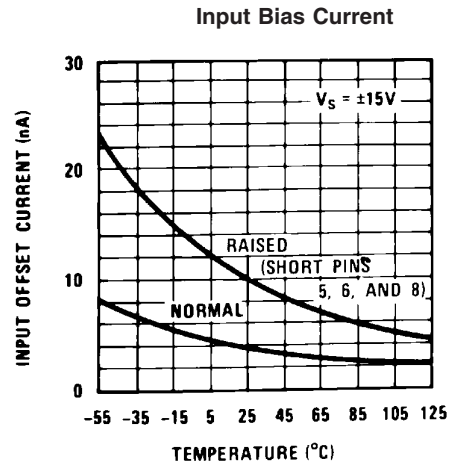
*Solid tantalum

Zero Crossing Detector Driving MOS Logic


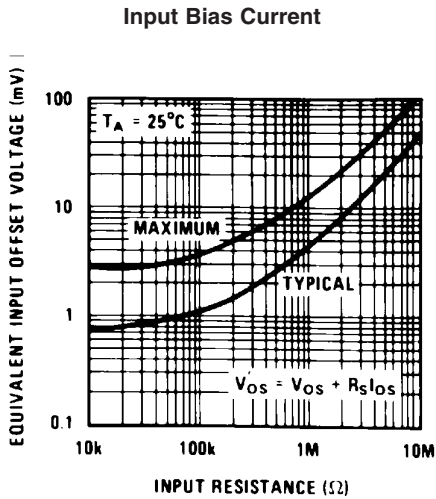
00570424

HT111/HT211 Typical Performance Characteristics


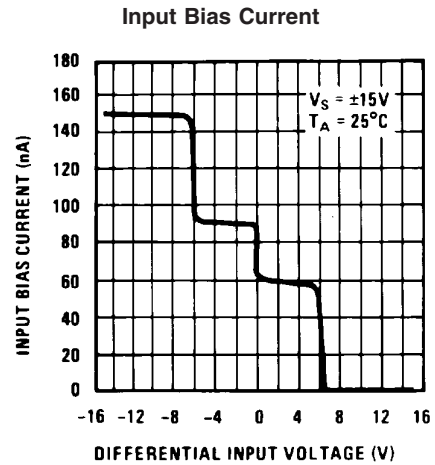
00570443



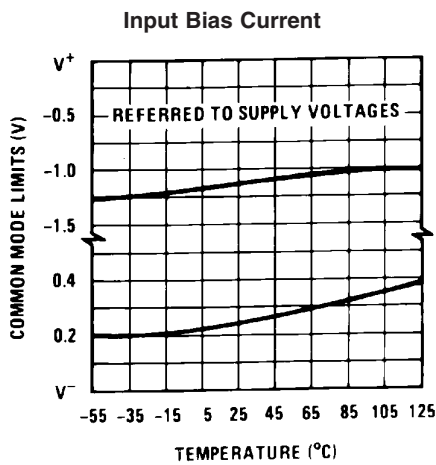
00570444



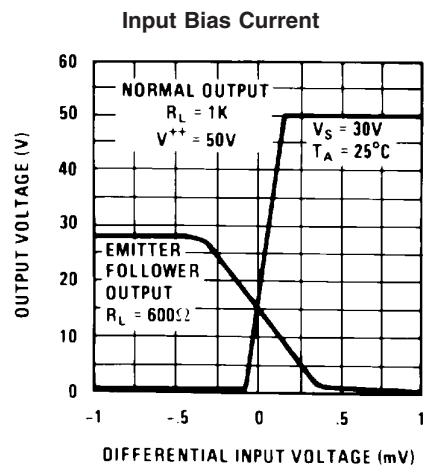
00570445



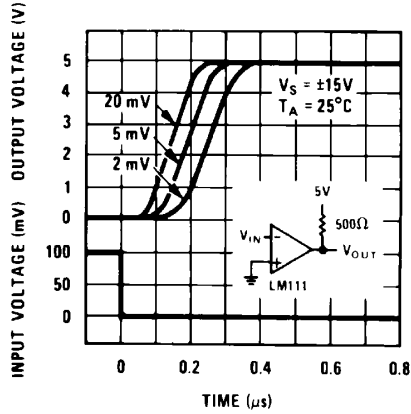
00570446



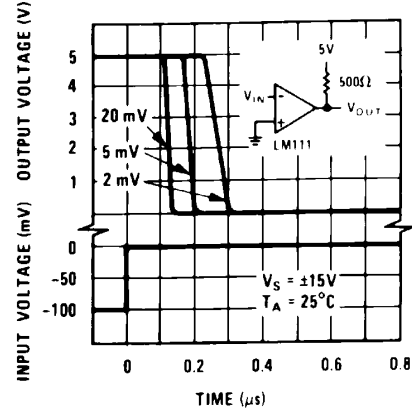
00570447



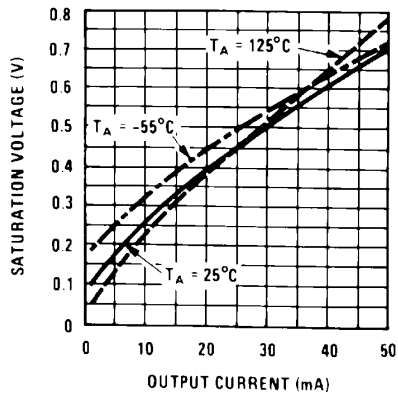
00570448

HT111/HT211 Typical Performance Characteristics (Continued)
**Input Bias Current
Input Overdrives**


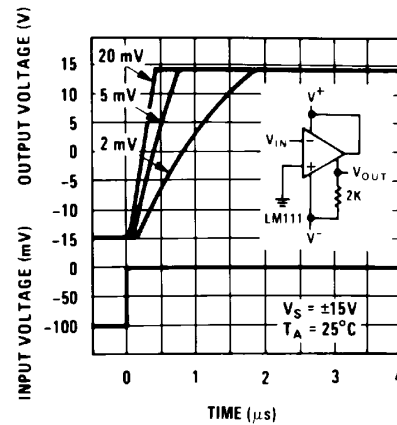
00570449

**Input Bias Current
Input Overdrives**


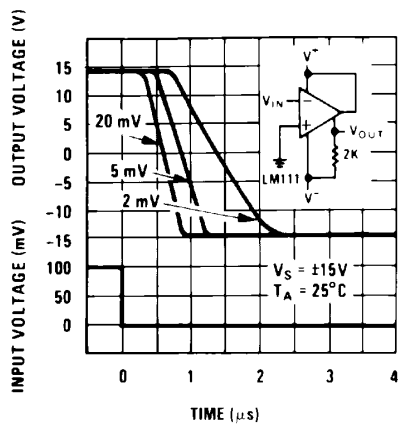
00570450

Input Bias Current


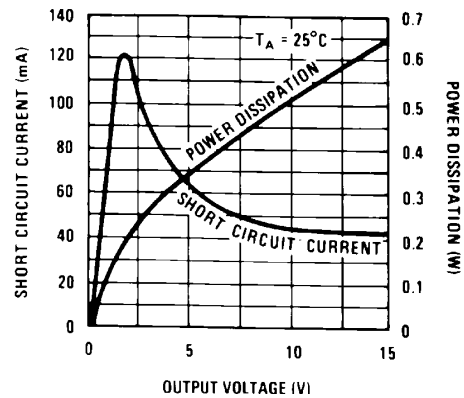
00570451

**Response Time for Various
Input Overdrives**


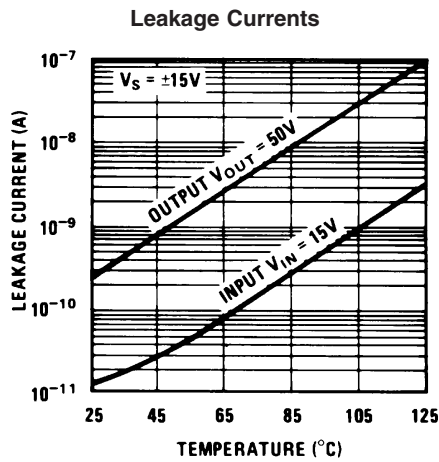
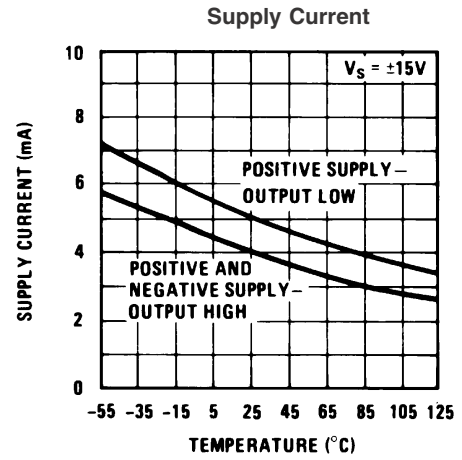
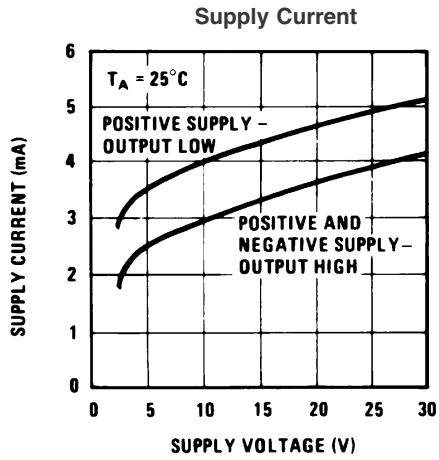
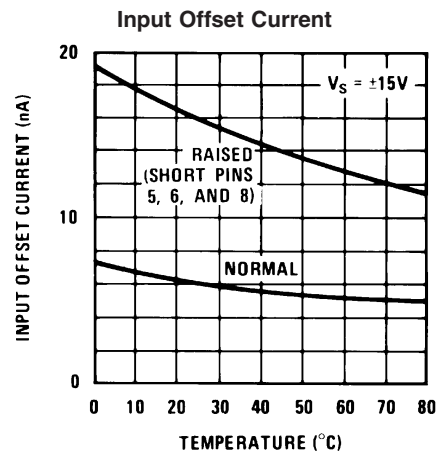
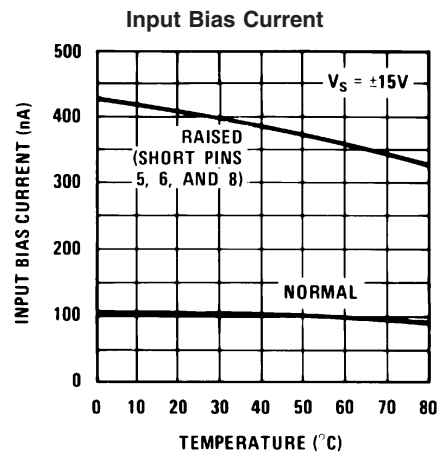
00570452

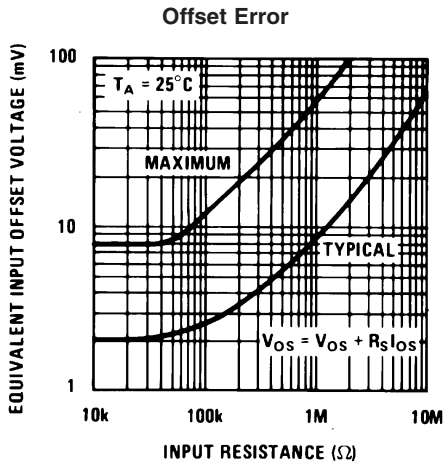
**Response Time for Various
Input Overdrives**


00570453

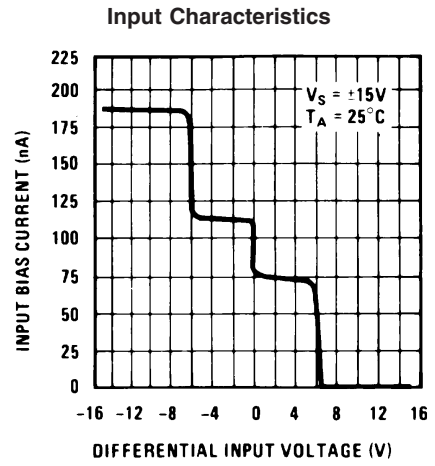
Output Limiting Characteristics


00570454

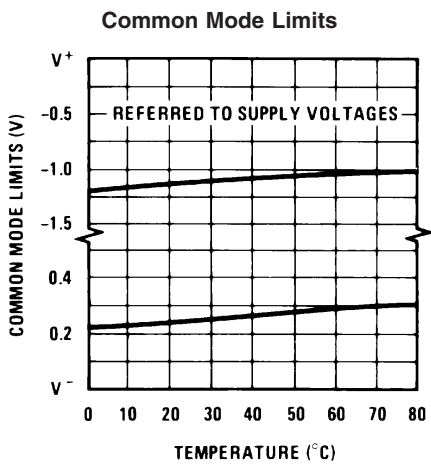
HT111/HT211 Typical Performance Characteristics (Continued)

HT311 Typical Performance Characteristics


HT311 Typical Performance Characteristics (Continued)


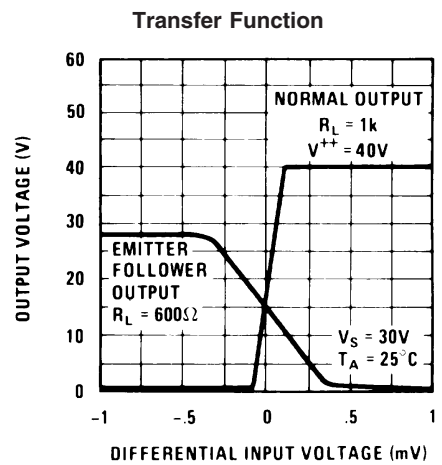
00570460



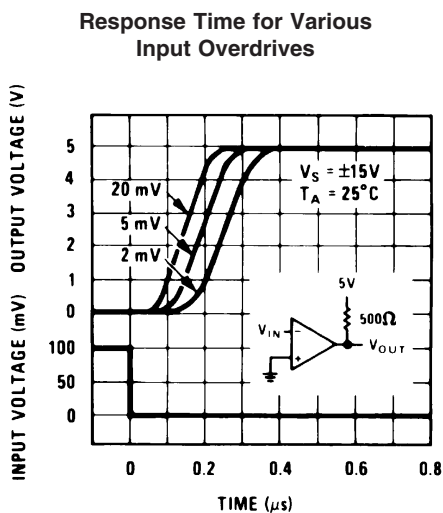
00570461



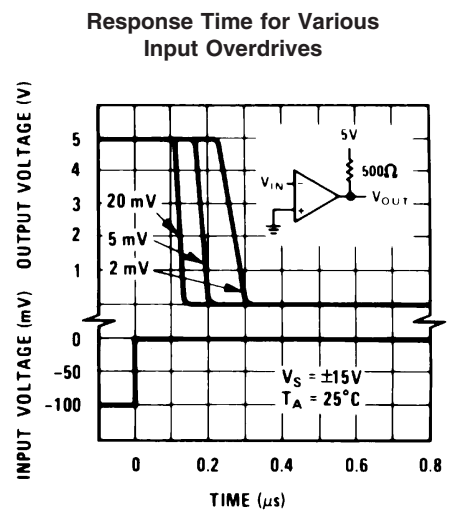
00570462



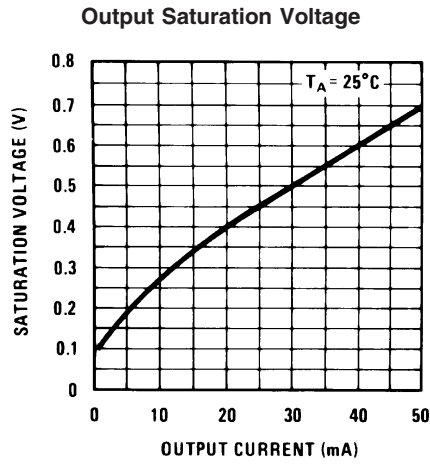
00570463



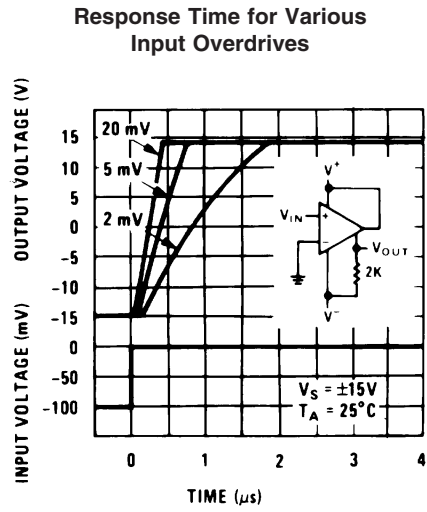
00570464



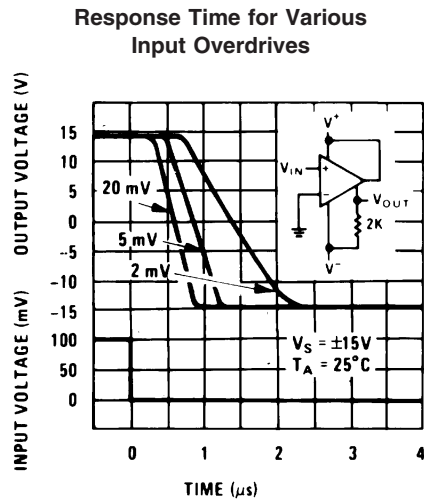
00570465

HT311 Typical Performance Characteristics (Continued)


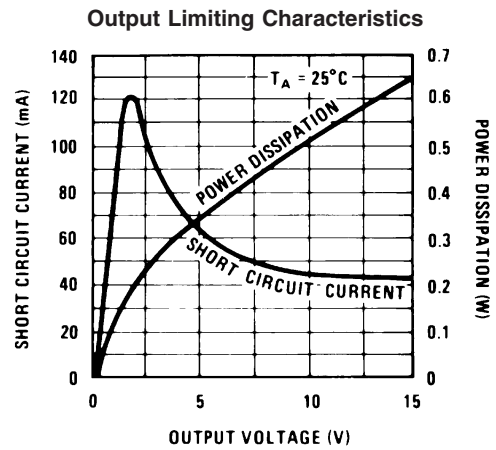
00570466



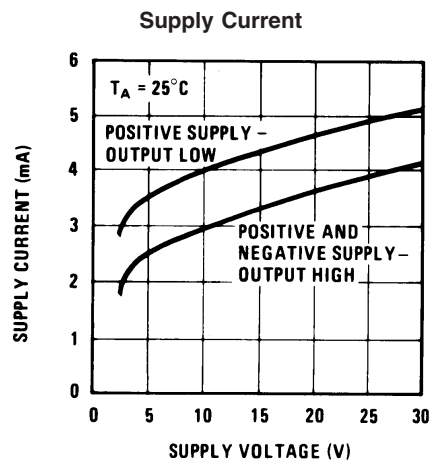
00570467



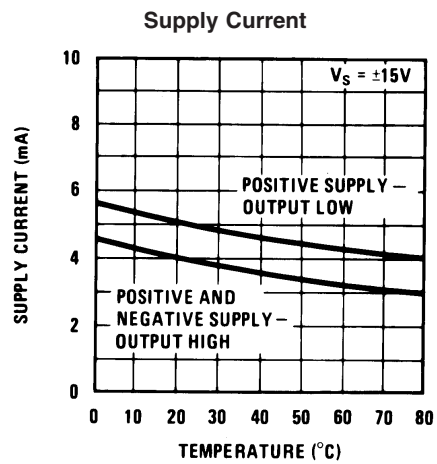
00570468



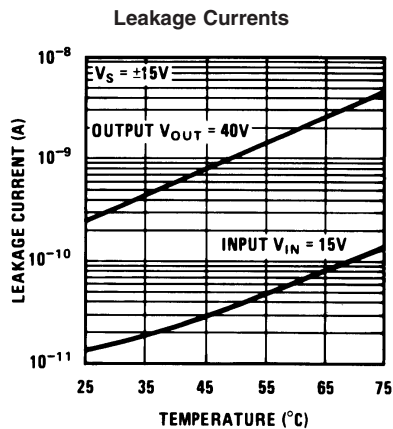
00570469



00570470



00570471

HT311 Typical Performance Characteristics (Continued)


00570472

8.0 Application Hints

8.1 CIRCUIT TECHNIQUES FOR AVOIDING OSCILLATIONS IN COMPARATOR APPLICATIONS

When a high-speed comparator such as the HT111 is used with fast input signals and low source impedances, the output response will normally be fast and stable, assuming that the power supplies have been bypassed (with 0.1 μ F disc capacitors), and that the output signal is routed well away from the inputs (pins 2 and 3) and also away from pins 5 and 6.

However, when the input signal is a voltage ramp or a slow sine wave, or if the signal source impedance is high (1 k Ω to 100 k Ω), the comparator may burst into oscillation near the crossing-point. This is due to the high gain and wide bandwidth of comparators like the HT111. To avoid oscillation or instability in such a usage, several precautions are recommended, as shown in *Figure 1* below.

1. The trim pins (pins 5 and 6) act as unwanted auxiliary inputs. If these pins are not connected to a trim-pot, they should be shorted together. If they are connected to a trim-pot, a 0.01 μ F capacitor C1 between pins 5 and 6 will minimize the susceptibility to AC coupling. A smaller capacitor is used if pin 5 is used for positive feedback as in *Figure 1*.
2. Certain sources will produce a cleaner comparator output waveform if a 100 pF to 1000 pF capacitor C2 is connected directly across the input pins.
3. When the signal source is applied through a resistive network, R_S , it is usually advantageous to choose an R_S' of substantially the same value, both for DC and for dynamic (AC) considerations. Carbon, tin-oxide, and metal-film resistors have all been used successfully in comparator input circuitry. Inductive wirewound resistors are not suitable.
4. When comparator circuits use input resistors (eg. summing resistors), their value and placement are particularly important. In all cases the body of the resistor should be close to the device or socket. In other words there should be very little lead length or printed-circuit foil run between comparator and resistor to radiate or pick up signals. The same applies to capacitors, pots, etc. For example, if $R_S=10$ k Ω , as little as 5 inches of

lead between the resistors and the input pins can result in oscillations that are very hard to damp. Twisting these input leads tightly is the only (second best) alternative to placing resistors close to the comparator.

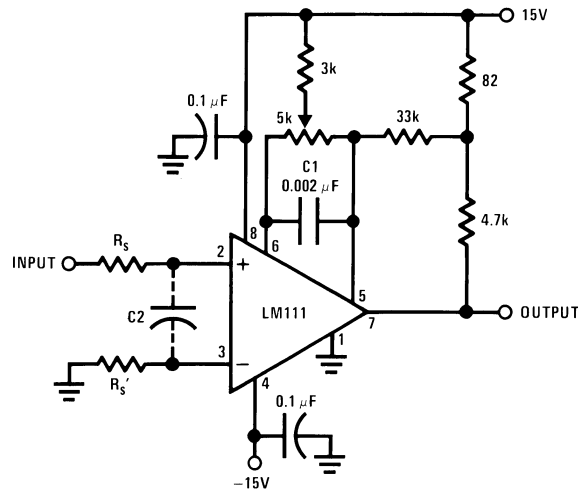
5. Since feedback to almost any pin of a comparator can result in oscillation, the printed-circuit layout should be engineered thoughtfully. Preferably there should be a groundplane under the HT111 circuitry, for example, one side of a double-layer circuit card. Ground foil (or, positive supply or negative supply foil) should extend between the output and the inputs, to act as a guard. The foil connections for the inputs should be as small and compact as possible, and should be essentially surrounded by ground foil on all sides, to guard against capacitive coupling from any high-level signals (such as the output). If pins 5 and 6 are not used, they should be shorted together. If they are connected to a trim-pot, the trim-pot should be located, at most, a few inches away from the HT111, and the 0.01 μ F capacitor should be installed. If this capacitor cannot be used, a shielding printed-circuit foil may be advisable between pins 6 and 7. The power supply bypass capacitors should be located within a couple inches of the HT111. (Some other comparators require the power-supply bypass to be located immediately adjacent to the comparator.)
6. It is a standard procedure to use hysteresis (positive feedback) around a comparator, to prevent oscillation, and to avoid excessive noise on the output because the comparator is a good amplifier for its own noise. In the circuit of *Figure 2*, the feedback from the output to the positive input will cause about 3 mV of hysteresis. However, if R_S is larger than 100 Ω , such as 50 k Ω , it would not be reasonable to simply increase the value of the positive feedback resistor above 510 k Ω . The circuit of *Figure 3* could be used, but it is rather awkward. See the notes in paragraph 7 below.

Application Hints (Continued)

7. When both inputs of the HT111 are connected to active signals, or if a high-impedance signal is driving the positive input of the HT111 so that positive feedback would be disruptive, the circuit of *Figure 1* is ideal. The positive feedback is to pin 5 (one of the offset adjustment pins). It is sufficient to cause 1 to 2 mV hysteresis and sharp transitions with input triangle waves from a few Hz to hundreds of kHz. The positive-feedback signal across the 82Ω resistor swings 240 mV below the posi-

tive supply. This signal is centered around the nominal voltage at pin 5, so this feedback does not add to the V_{OS} of the comparator. As much as 8 mV of V_{OS} can be trimmed out, using the 5 kΩ pot and 3 kΩ resistor as shown.

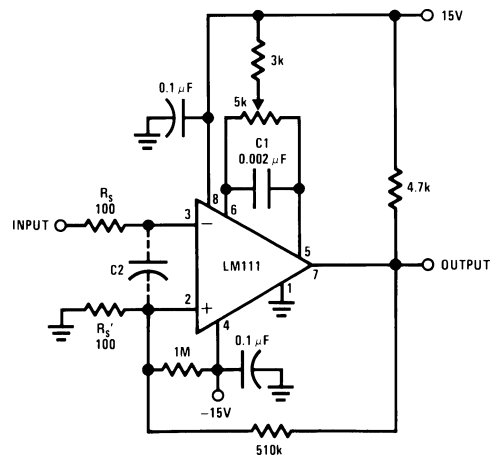
8. These application notes apply specifically to the HT111, HT211, HT311, and LF111 families of comparators, and are applicable to all high-speed comparators in general, (with the exception that not all comparators have trim pins).



Pin connections shown are for HT111H in the H08 hermetic package

00570429

FIGURE 1. Improved Positive Feedback

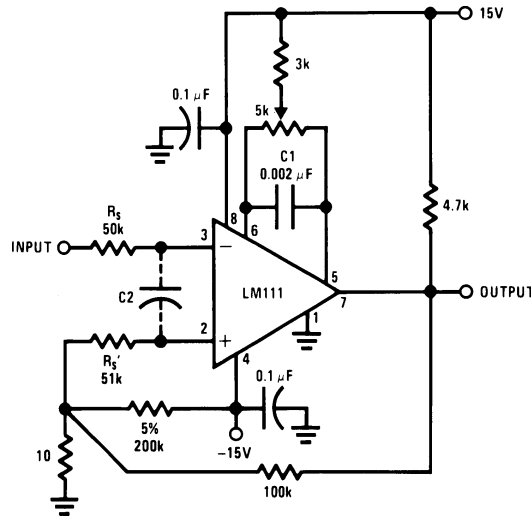


Pin connections shown are for HT111H in the H08 hermetic package

00570430

FIGURE 2. Conventional Positive Feedback

Application Hints (Continued)

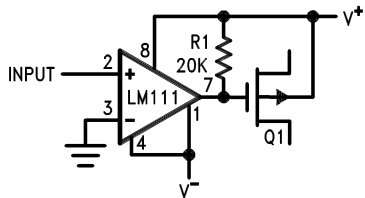


00570431

FIGURE 3. Positive Feedback with High Source Resistance

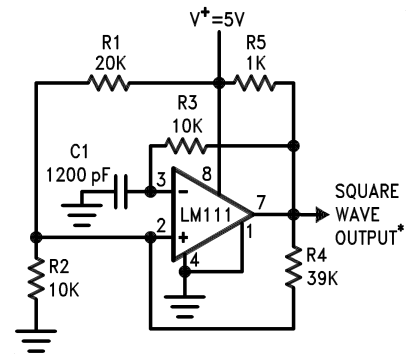
Typical Applications (Pin numbers refer to H08 package)

Zero Crossing Detector Driving MOS Switch



00570413

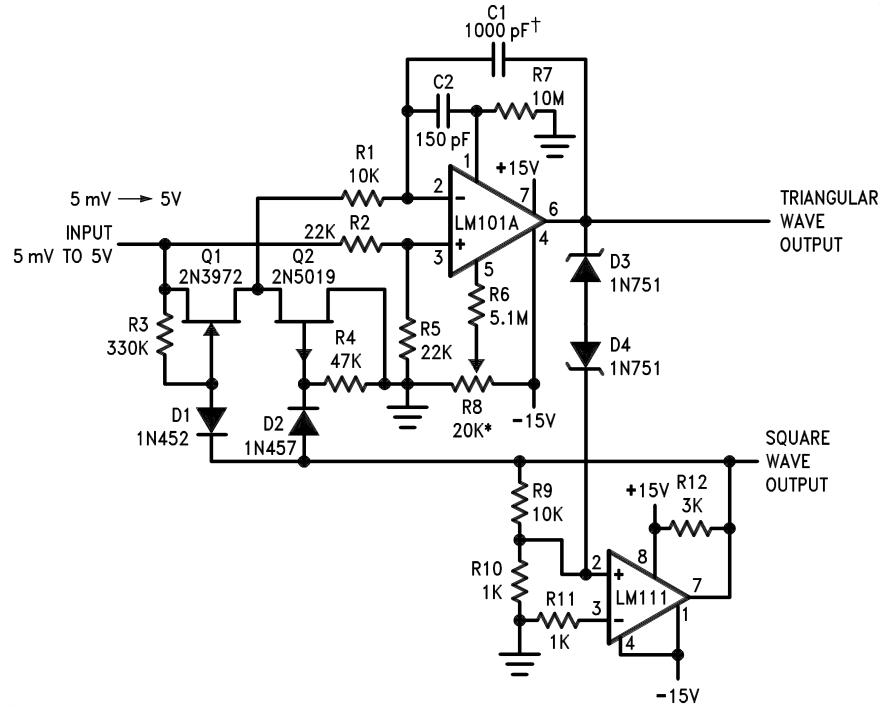
100 kHz Free Running Multivibrator



00570414

*TTL or DTL fanout of two

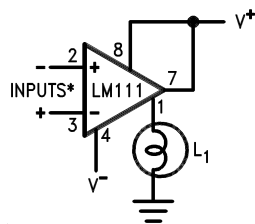
Typical Applications (Pin numbers refer to H08 package) (Continued)

10 Hz to 10 kHz Voltage Controlled Oscillator


00570415

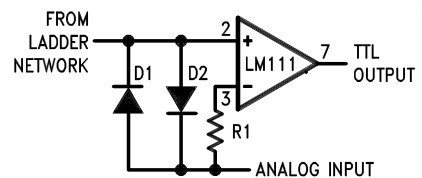
 *Adjust for symmetrical square wave time when $V_{IN} = 5 \text{ mV}$

†Minimum capacitance 20 pF Maximum frequency 50 kHz

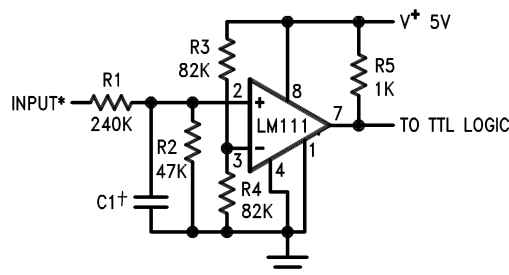
Driving Ground-Referred Load


00570416

*Input polarity is reversed when using pin 1 as output.

Using Clamp Diodes to Improve Response


00570417

TTL Interface with High Level Logic


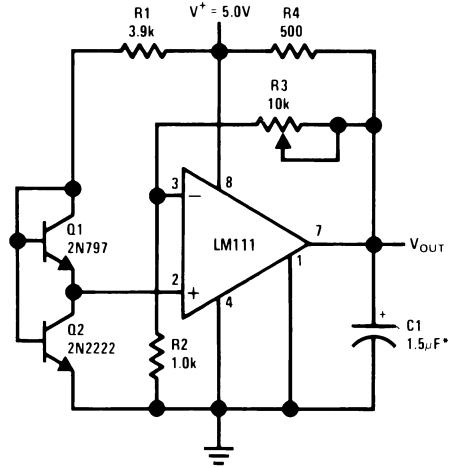
00570418

*Values shown are for a 0 to 30V logic swing and a 15V threshold.

†May be added to control speed and reduce susceptibility to noise spikes.

Typical Applications (Pin numbers refer to H08 package) (Continued)

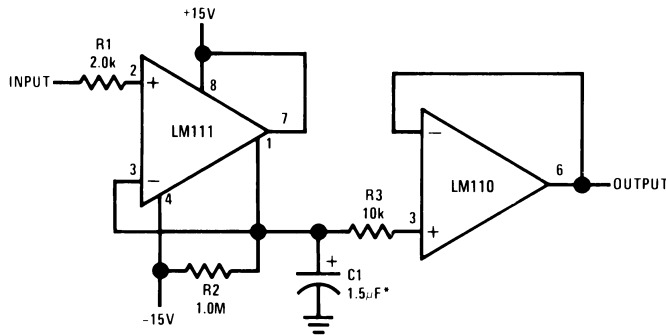
Low Voltage Adjustable Reference Supply



*Solid tantalum

00570422

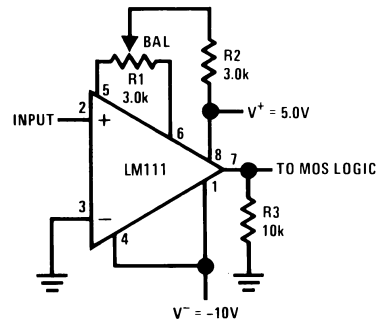
Positive Peak Detector



*Solid tantalum

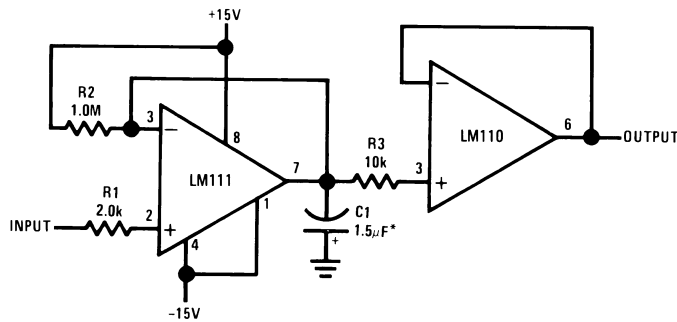
00570423

Zero Crossing Detector Driving MOS Logic



00570424

Negative Peak Detector

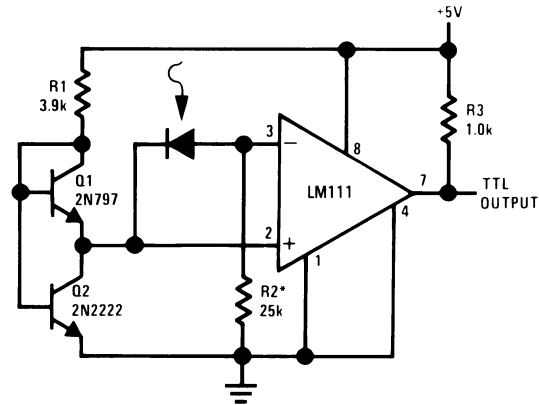


*Solid tantalum

00570425

Typical Applications (Pin numbers refer to H08 package) (Continued)

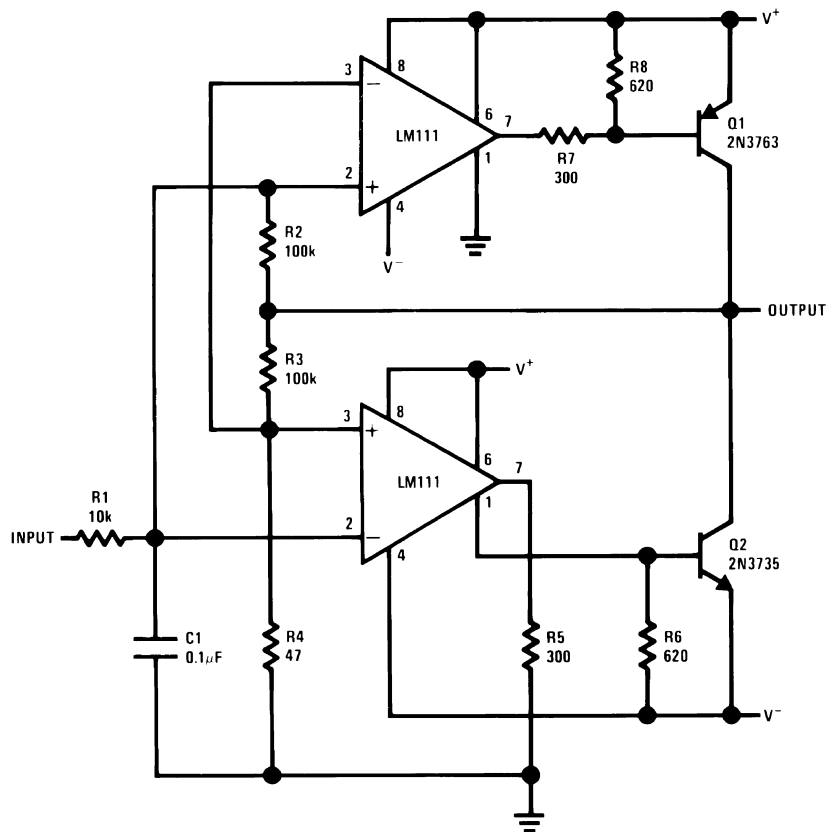
Precision Photodiode Comparator



00570426

*R2 sets the comparison level. At comparison, the photodiode has less than 5 mV across it, decreasing leakages by an order of magnitude.

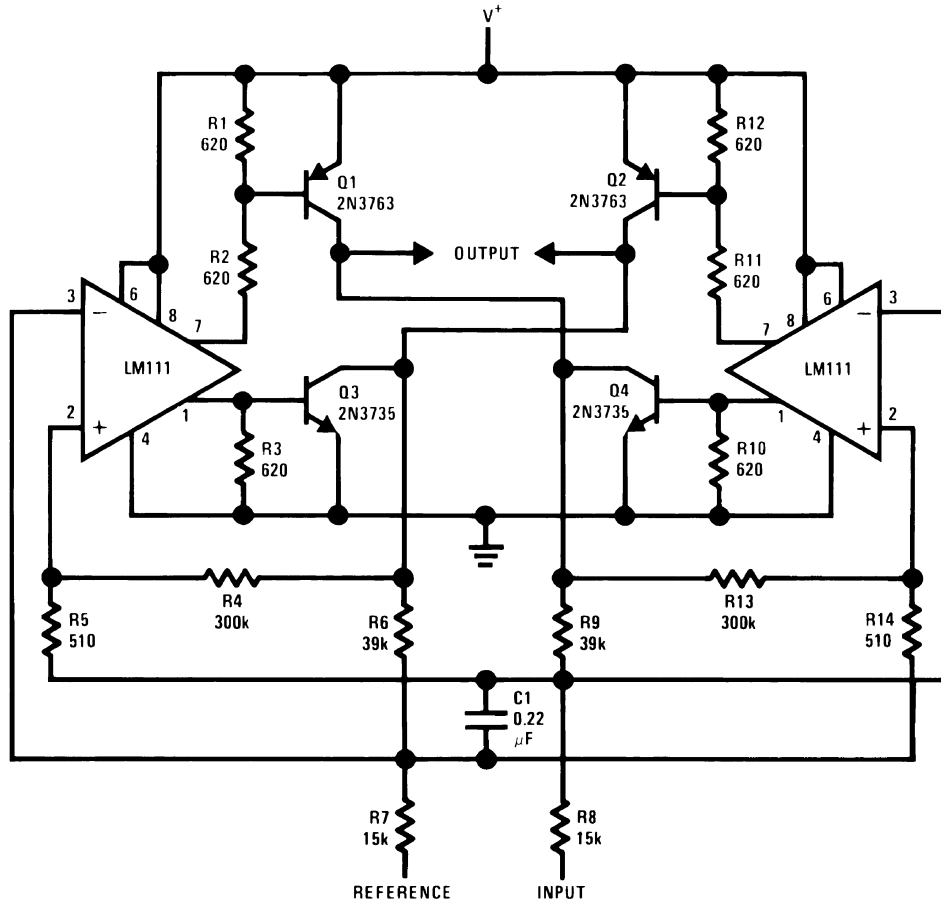
Switching Power Amplifier



00570427

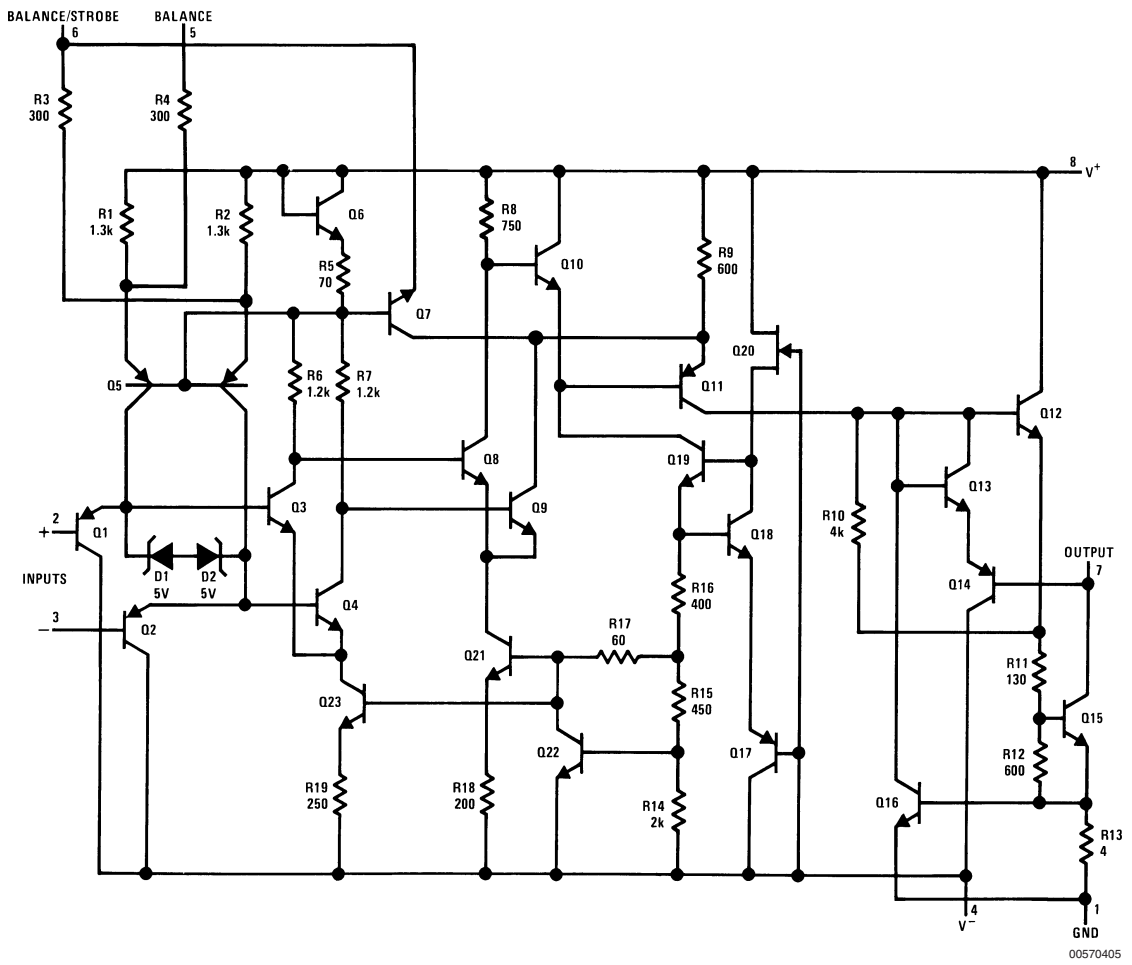
Typical Applications (Pin numbers refer to H08 package) (Continued)

Switching Power Amplifier



00570428

Schematic Diagram (Note 20)

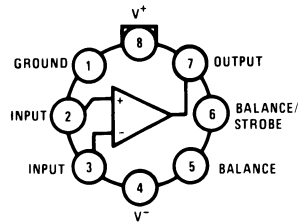


Note 20: Pin connections shown on schematic diagram are for H08 package.

00570405

Connection Diagrams

Metal Can Package



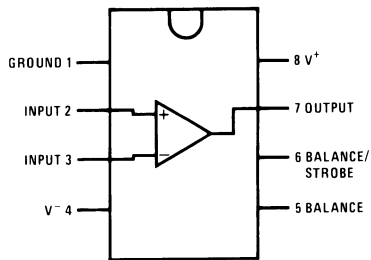
00570406

Note: Pin 4 connected to case

Top View

Order Number HT111H, HT111H/883(Note 21) , HT211H or HT311H

Dual-In-Line Package

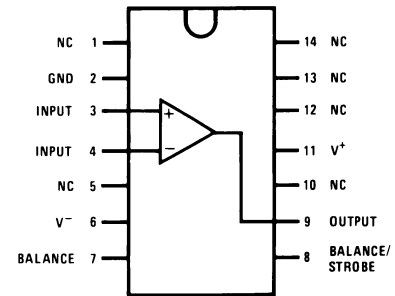


00570434

Top View

Order Number HT111J-8, HT111J-8/883(Note 21),
HT311 or HT311N

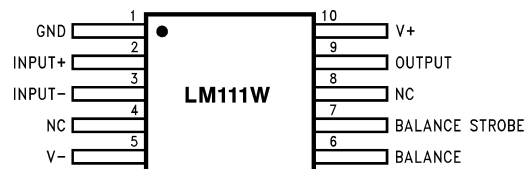
Dual-In-Line Package



00570435

Top View

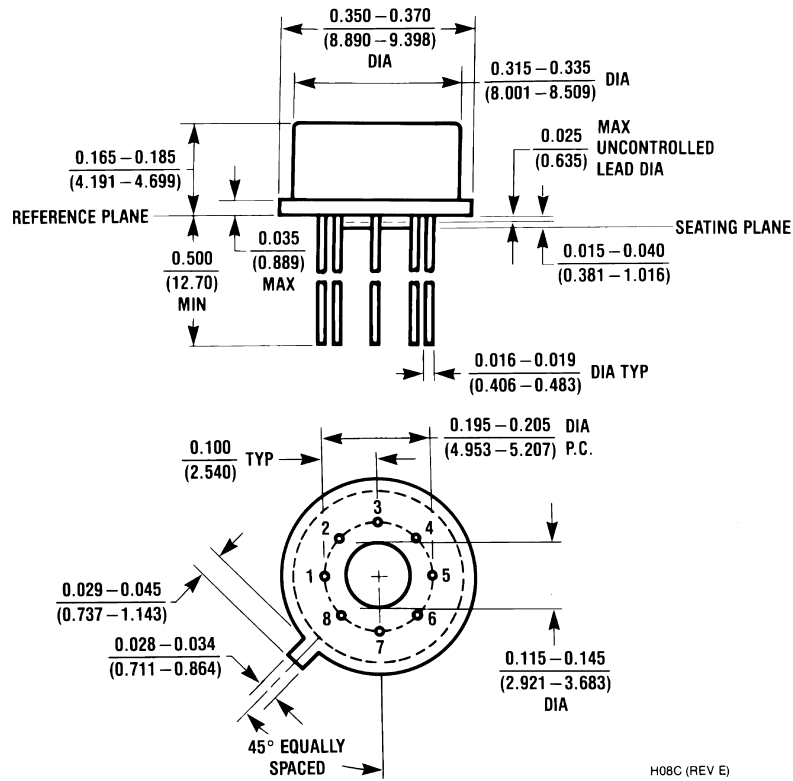
Order Number HT111J/883(Note 21)



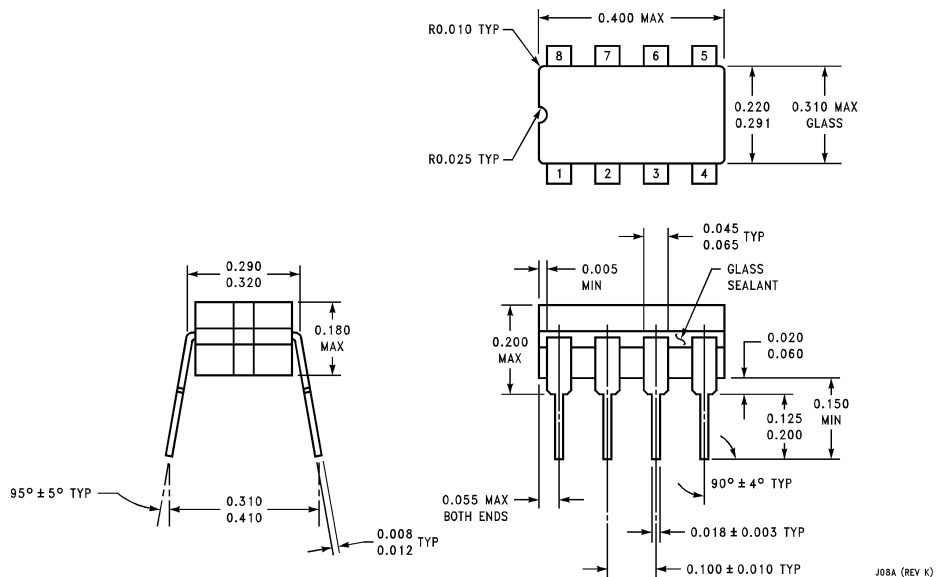
00570433

Order Number HT111W/883(Note 21), HT111WG/883

Note 21: Also available per JM38510/10304

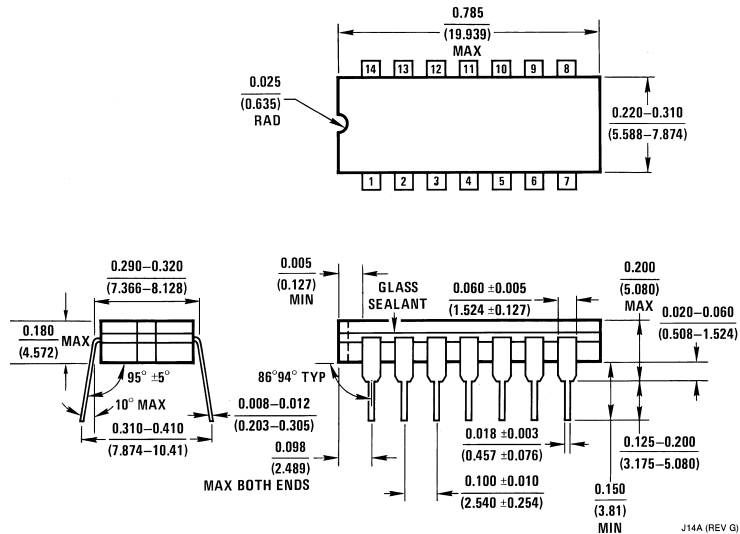
Physical Dimensions inches (millimeters) unless otherwise noted


Metal Can Package (H)
 Order Number HT111H, HT111H/883, HT211H or HT311H
 NS Package Number H08C

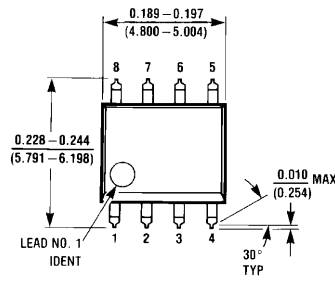


Cavity Dual-In-Line Package (J)
 Order Number HT111J-8, HT111J-8/883
 NS Package Number J08A

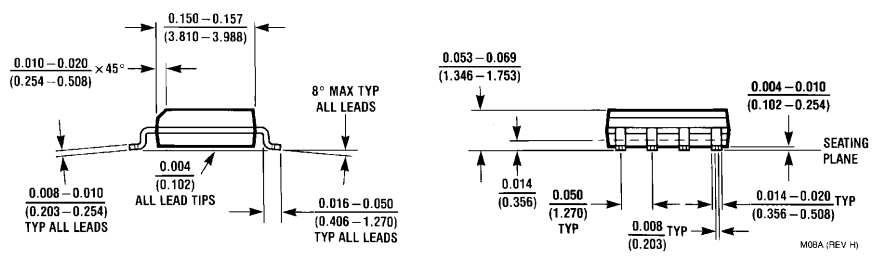
Physical Dimensions inches (millimeters) unless otherwise noted (Continued)

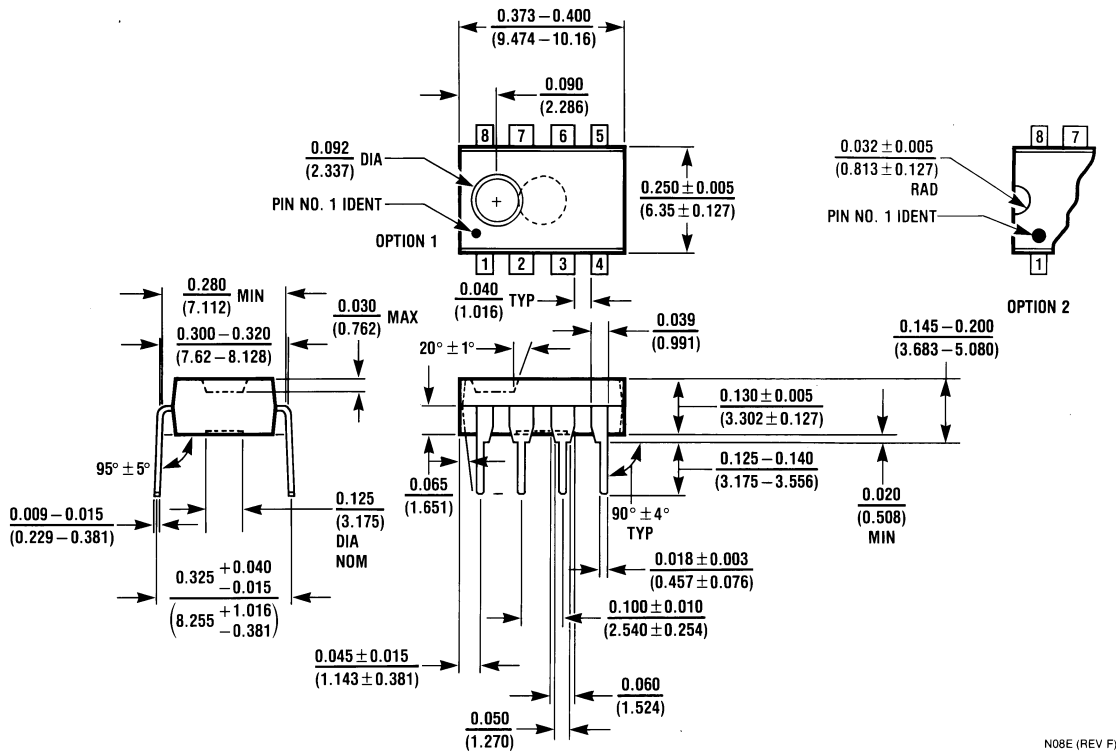


Dual-In-Line Package (J)
Order Number HT111J/883

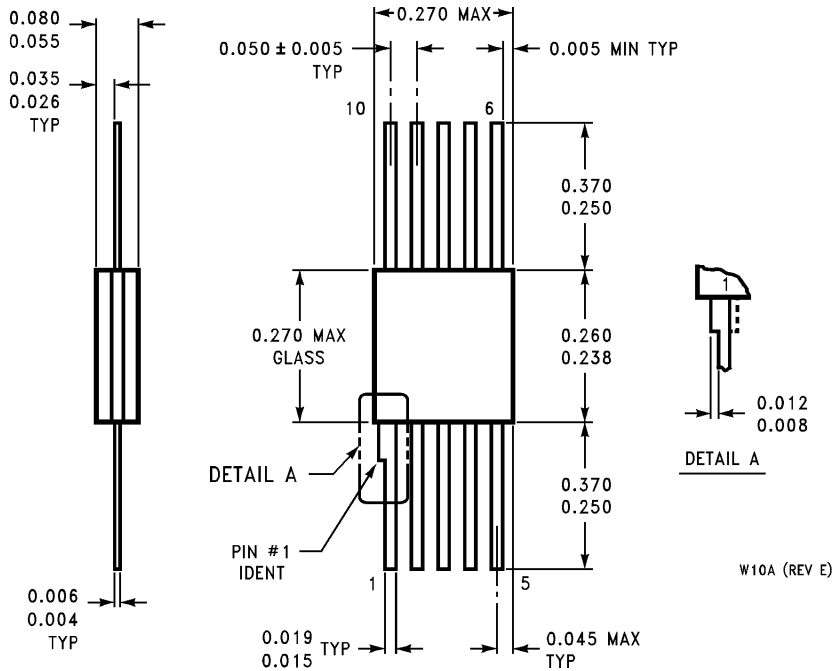


Dual-In-Line Package (M)
Order Number HT311



Physical Dimensions inches (millimeters) unless otherwise noted (Continued)

Dual-In-Line Package (N)
Order Number HT311N

N08E (REV F)


Order Number HT111W/883, HT111WG/883