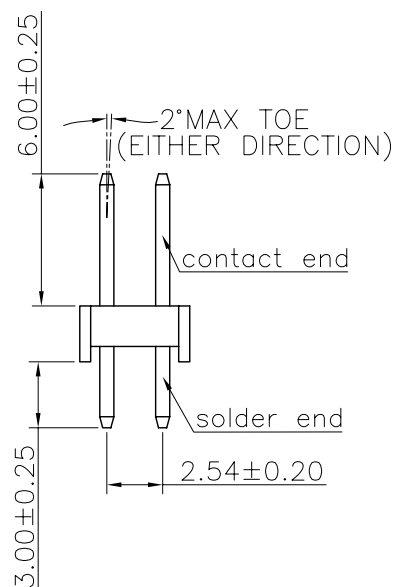
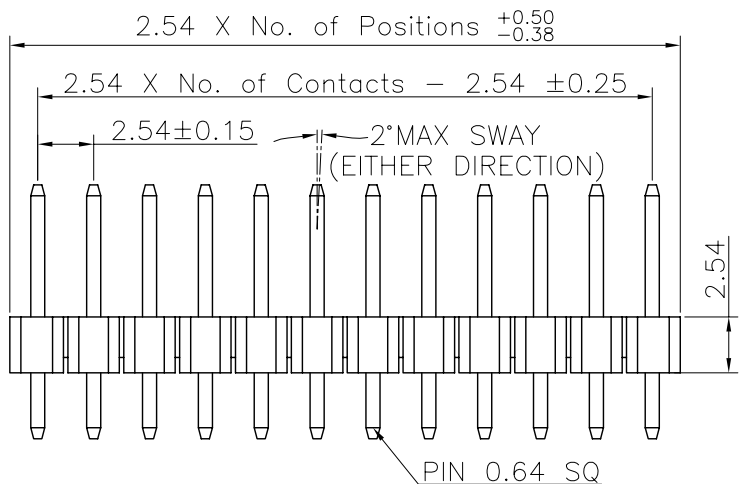
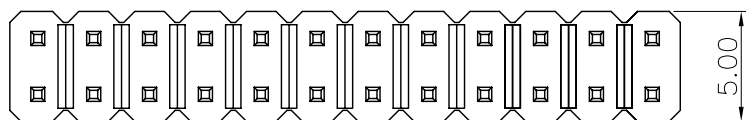


REV.	LOCAS.	DESCRIPTION	DATE	DRAWN
01	NEW	INITIAL RELEASE.	2013.05.04	李芳忠



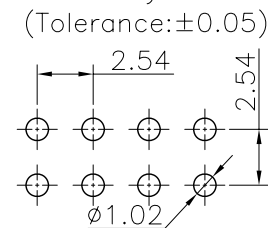
Specifications
 Current Rating:3Amp
 Insulation Resistance:1000MΩMin.
 Dielectric Withstanding Voltage:600VAC
 Contact Resistance:20mΩMax.
 Operating Temperature:-40°C to +105°C
 Materials
 Contact Material:Phosphor Bronze
 Insulator Material:High Temperature Thermoplastic, UL 94V-0 Nylon 6T(Halogen Free) or the equivalent material
 All materials must meet Greenconn requirement for environment protection.

Ordering Information

G PHA201 - XX XX A 001 R 1 A X

No. of Pins per Row 01~40
 Standard Plating 02=Gold Flash Selective Plating 01=Tin 05=Gold Flash/Tin
 Color 1=Black
 Standard Packing A=Box Selective Packing C=Tube

Recommended P.C.Board Layout



格菱股份有限公司
Greenconn Corporation

GENERAL TOLERANCE		DESIGN: 李芳忠	DATE: 2013.05.04	DWG. NO.	TITLE. 2.54 PIN HEADER DUAL ROWS DIP TYPE CONNECTOR
X.*±5.0°	X.±0.30	CHECKED: 劉北平	DATE: 2013.05.04	GPHA201-CA1RA	
.X*±3.0°	.X±0.25	AUDITED:	DATE:	PART NO.	
.XX*±2.0°	.XX±0.15	APPROVED:	DATE:	GPHA201-XXXX A001R1AX	
.XXX*±1.0°	.XXX±0.10				

REV.	UNIT.	SCALE.	PAGE.
01	mm	3:1	1/1