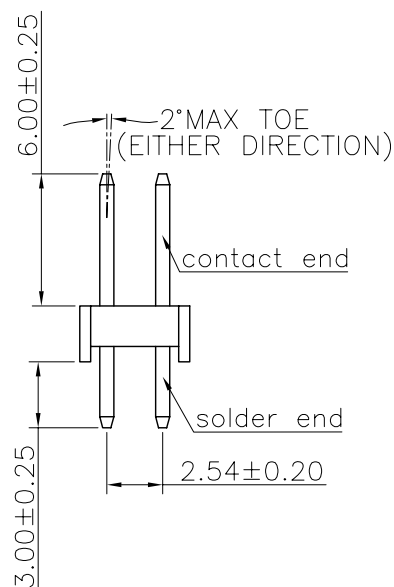
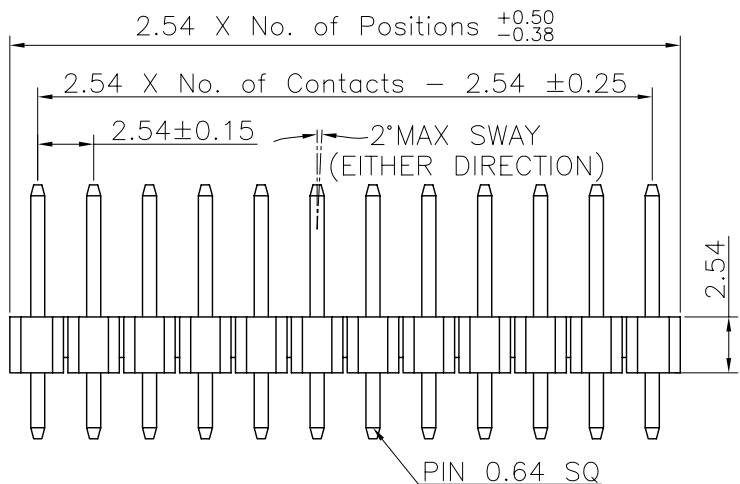
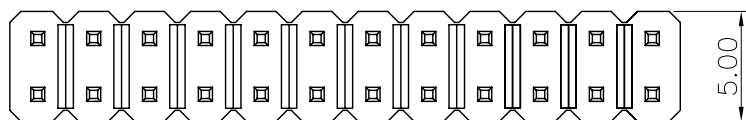


REV.	LOCAS.	DESCRIPTION	DATE	DRAWN
01	NEW	INITIAL RELEASE.	2013.05.04	李芳忠



Specifications  
 Current Rating:3Amp  
 Insulation Resistance:1000MΩMin.  
 Dielectric Withstanding Voltage:600VAC  
 Contact Resistance:20mΩMax.  
 Operating Temperature:-40°C to +105°C  
 Materials  
 Contact Material:Phosphor Bronze  
 Insulator Material:High Temperature Thermoplastic, UL 94V-0 Nylon 6T(Halogen Free) or the equivalent material  
 All materials must meet Greenconn requirement for environment protection.

### Ordering Information

G PHA201 - XX XX A 001 R 1 A X

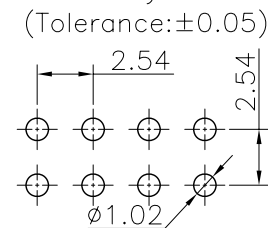
No. of Pins per Row  
01~40

Standard Plating  
02=Gold Flash  
Selective Plating  
01=Tin  
05=Gold Flash/Tin

Color  
1=Black

Standard Packing  
A=Box  
Selective Packing  
C=Tube

### Recommended P.C.Board Layout



格菱股份有限公司  
**Greenconn Corporation**

GENERAL TOLERANCE	
X.*±5.0°	X.±0.30
.X*±3.0°	.X±0.25
.XX*±2.0°	.XX±0.15
.XXX*±1.0°	.XXX±0.10

DESIGN: 李芳忠	DATE: 2013.05.04
CHECKED: 劉北平	DATE: 2013.05.04
AUDITED:	DATE:
APPROVED:	DATE:

DWG. NO.	GPHA201-CA1RA
PART NO.	GPHA201-XXXX A001R1AX

TITLE.	2.54 PIN HEADER DUAL ROWS DIP TYPE CONNECTOR
--------	--

REV.	UNIT.	SCALE.	PAGE.
01	mm	3:1	1/1