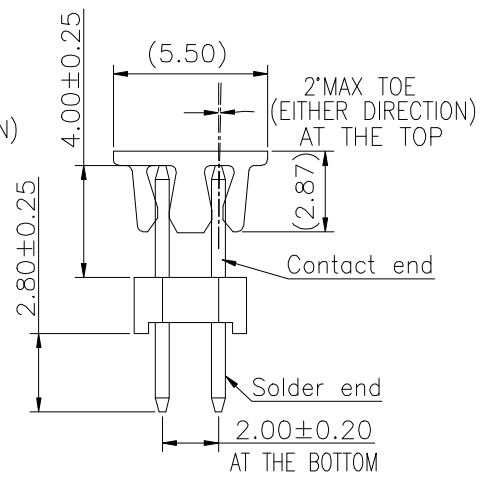
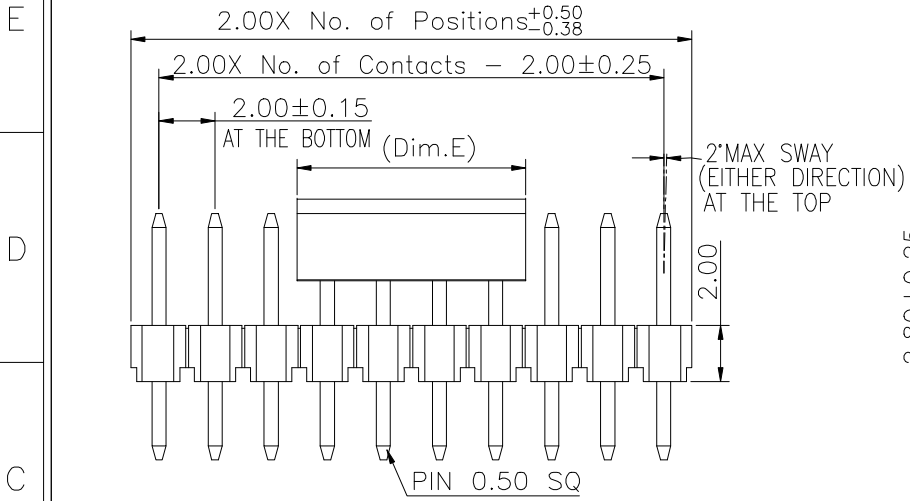


REV.	LOCAS.	DESCRIPTION	DATE	DRAWN
01	NEW	BATCH PRODUCTION INITIAL RELEASE.	2021.04.20	郭康

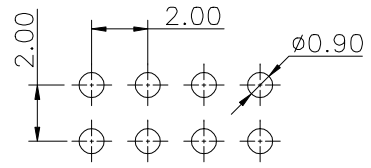


Dim.E	NOTE
4.00mm	02PIN
5.00mm	03~08PIN
8.16mm	09~40PIN

Specifications
 Current Rating:2.0Amp
 Insulation Resistance:1000MΩMin.
 Dielectric Withstanding Voltage:500VAC
 Contact Resistance:20mΩMax.
 Operating Temperature:-40°C to +105°C
 Materials
 Contact Material:Phosphor Bronze
 Insulator Material:High Temperature Thermoplastic, UL 94V-0 Nylon (Halogen Free) or the equivalent material
 All materials must meet Greenconn hazardous substances control standards.



Recommended P.C.Board Layout
 (Tolerance:±0.05)



Ordering Information

G PFA201 - XX XX A 001 R 1 A X

No. of Pins per Row 02~40
 Standard Plating 02=Gold Flash
 Selective Plating 01=Tin 05=Gold Flash/Tin

Color 1=Black

Standard Packing C=Tube (04-40PIN)
 Selective Packing A=Box E=Cap+Tube (03-40PIN)
 F=Cap+Tape&Reel

<p>Website:www.greenconn.com E-mail:sales@greenconn.com</p>	3RD.ANG PROJ.	GENERAL TOLERANCE		DESIGNED: 郭康	DATE: 2021.04.20	DWG. NO. GPFA201-CA1RA	TITLE. 2.00 PIN HEADER DUAL ROWS DIP TYPE CONNECTOR
		X'±5.0'		X±0.30		PART NO. GPFA201-XXXX A001R1AX	
		.X'±3.0'		.X±0.25			
		.XX'±2.0'		.XX±0.15			
REV. 01	UNIT. mm	SCALE. 4:1	PAGE. 1/1	APPROVED:		DATE:	