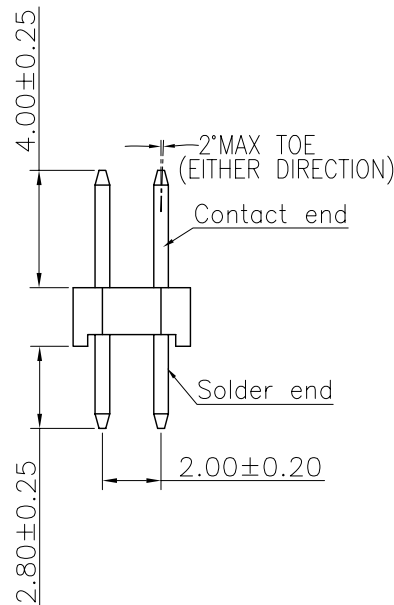
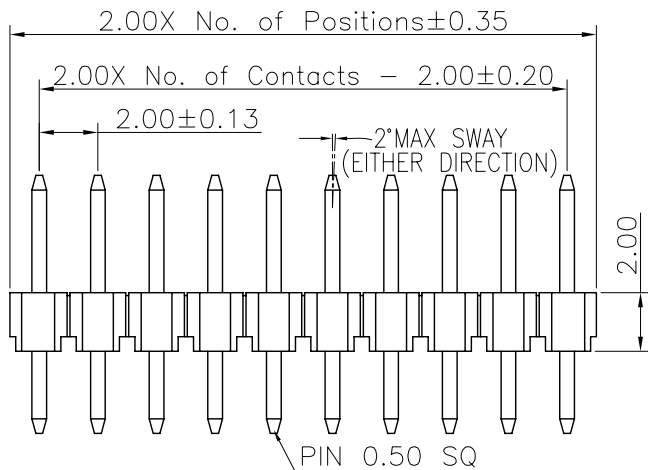
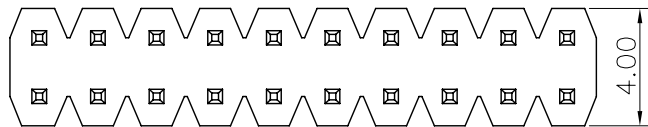


REV.	LOCAS.	DESCRIPTION	DATE	DRAWN
01	NEW	INITIAL RELEASE.	2010.01.14	曹 熙
02	△	變更圖號	2012.04.02	黃小燕



Specifications  
 Current Rating: 2Amp  
 Insulation Resistance: 1000MΩMin.  
 Dielectric Withstanding Voltage: 500VAC  
 Contact Resistance: 20mΩMax.  
 Operating Temperature: -40°C to +105°C  
 Materials  
 Contact Material: Phosphor Bronze  
 Insulator Material: Thermoplastic, UL 94V-0 PBT or the equivalent material  
 All materials must meet Greenconn requirement for environment protection.

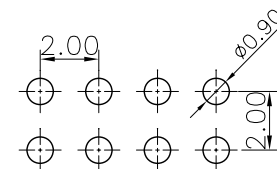
### Ordering Information

G PFA201 - XX XX A 001 A 1 A X

No. of Pins per Row 02~40  
 Standard Plating 02=Gold Flash  
 Selective Plating 01=Tin  
 05=Gold Flash/Tin

Color 1=Black  
 Standard Packing A=box  
 Selective Packing C=Tube

Recommended P.C.Board Layout  
 (Tolerance: ±0.05)



格稜股份有限公司  
**Greenconn Corporation**

GENERAL TOLERANCE		DESIGN: 黃小燕	DATE: 2012.04.02	DWG. NO.
X.° ±5.0°	X. ±0.30	CHECKED: 劉北平	DATE: 2012.04.02	GPFA201-CA1AA
.X° ±3.0°	.X ±0.25	AUDITED: 李輝	DATE: 2012.04.02	PART NO.
.XX° ±2.0°	.XX ±0.15	APPROVED: cc_li	DATE: 2012.04.02	GPFA201-XXXX A001A1AX
.XXX° ±1.0°	.XXX ±0.10			

TITLE:  
 2.00 PIN HEADER  
 DUAL ROWS DIP TYPE  
 CONNECTOR

REV.	UNIT.	SCALE.	PAGE.	Symbol
02	mm	4:1	1/1	☉