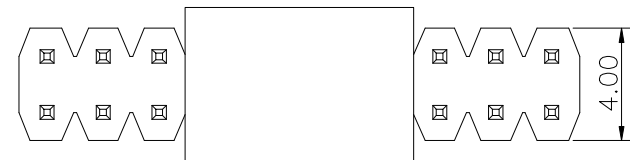
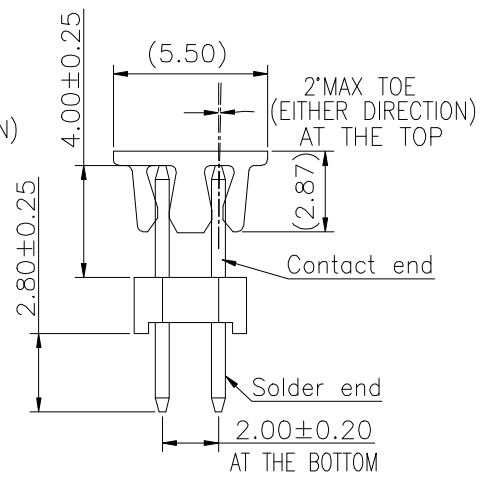
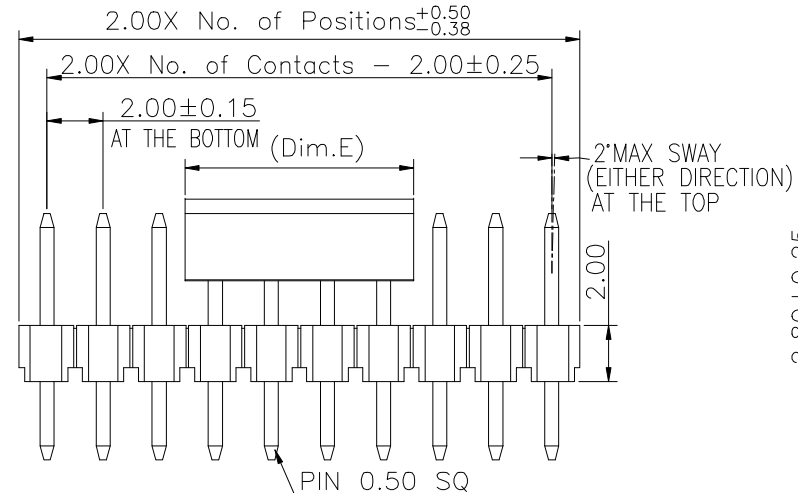


REV.	LOCAS.	DESCRIPTION	DATE	DRAWN
01	NEW	BATCH PRODUCTION INITIAL RELEASE.	2021.04.20	郭康

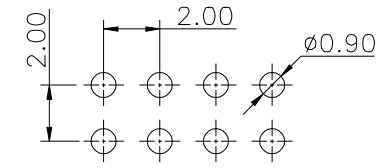


Dim.E	NOTE
4.00mm	02PIN
5.00mm	03~08PIN
8.16mm	09~40PIN

Specifications
 Current Rating:2.0Amp
 Insulation Resistance:1000MΩMin.
 Dielectric Withstanding Voltage:500VAC
 Contact Resistance:20mΩMax.
 Operating Temperature:-40°C to +105°C
 Materials
 Contact Material:Phosphor Bronze
 Insulator Material:High Temperature Thermoplastic, UL 94V-0 Nylon (Halogen Free) or the equivalent material
 All materials must meet Greenconn hazardous substances control standards.



Recommended P.C.Board Layout
 (Tolerance:±0.05)



Ordering Information

G PFA201 - XX XX A 001 R 1 A X

No. of Pins per Row 02~40
 Standard Plating 02=Gold Flash
 Selective Plating 01=Tin 05=Gold Flash/Tin

Color 1=Black

Standard Packing C=Tube (04~40PIN)
 Selective Packing A=Box E=Cap+Tube (03~40PIN)
 F=Cap+Tape&Reel



3RD.ANG PROJ.		GENERAL TOLERANCE	
		X'±5.0'	X±0.30
		.X'±3.0'	.X±0.25
		.XX'±2.0'	.XX±0.15
		.XXX'±1.0'	.XXX±0.10

DESIGNED: 郭康	DATE: 2021.04.20
CHECKED:	DATE:
APPROVED:	DATE:

DWG. NO. GPFA201-CA1RA
PART NO. GPFA201-XXXX A001R1AX

TITLE. 2.00 PIN HEADER DUAL ROWS DIP TYPE CONNECTOR
--

REV.	UNIT.	SCALE.	PAGE.
01	mm	4:1	1/1