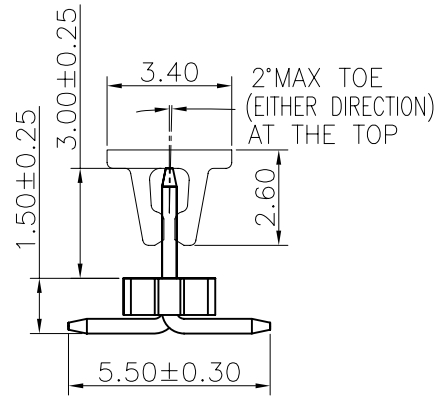
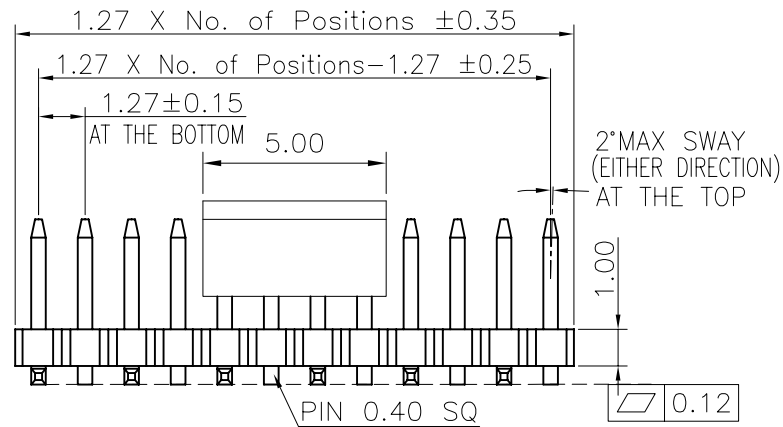
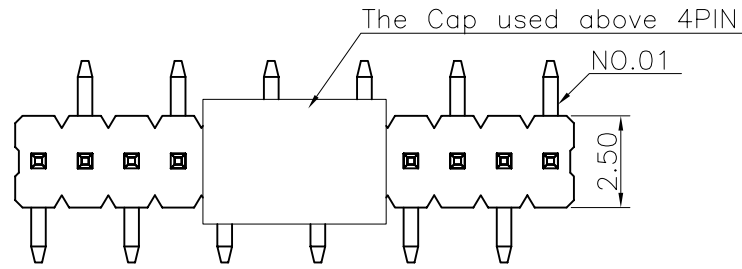
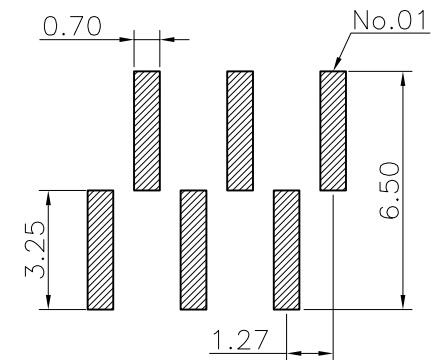


REV.	LOCAS.	DESCRIPTION	DATE	DRAWN
01	NEW	BATCH PRODUCTION INITIAL RELEASE.	2016.07.20	胡金花



Specifications
 Current Rating:1.0Amp
 Insulation Resistance:1000MΩMin.
 Dielectric Withstanding Voltage:300VAC
 Contact Resistance:20mΩMax.
 Operating Temperature:-40°C to +105°C
 Materials
 Contact Material:Brass
 Insulator Material:High Temperature Thermoplastic, UL 94V-0 LCP or the equivalent material
 All materials must meet Greenconn hazardous substances control standards.

Recommended P.C.Board Layout
 (Tolerance:±0.05)



Ordering Information

G PEC108 - XX XX A 009 C 1 B X

No. of Pins per Row 02~33
 Standard Plating 02=Gold Flash
 Selective Plating 01=Tin 05=Gold Flash/Tin
 Color 1=Black
 Standard Packing C=Tube
 Selective Packing D=Tape Reel E=Cap+Tube F=Cap+Tape&Reel

格菱股份有限公司
Greenconn Corporation

GENERAL TOLERANCE		DESIGNED: 胡金花	DATE: 2016.07.20
X.*±5.0°	X.±0.30	CHECKED: 曹熙	DATE: 2016.07.20
.X*±3.0°	.X±0.25	CO SIGNED: 楊明胜	DATE: 2016.07.20
.XX*±2.0°	.XX±0.15	APPROVED: 李輝	DATE: 2016.07.20
.XXX*±1.0°	.XXX±0.10		

DWG. NO.	GPEC108-CA9CB
PART NO.	GPEC108-XXXX A009C1BX

TITLE.	1.27 PIN HEADER SINGLE ROW SMT TYPE CONNECTOR
--------	---

REV.	UNIT.	SCALE.	PAGE.	
01	mm	5:1	1/1	