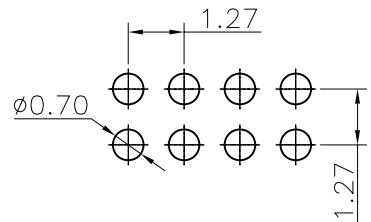


REV.	LOCAS.	DESCRIPTION	DATE	DRAWN
01	MEW	BATCH PRODUCTION INITIAL RELEASE.	2009.09.26	車 激
02	△	變更圖號	2011.02.10	黃明霞
03	△	依業務要求，增加CAP配方	2016.08.19	胡金花

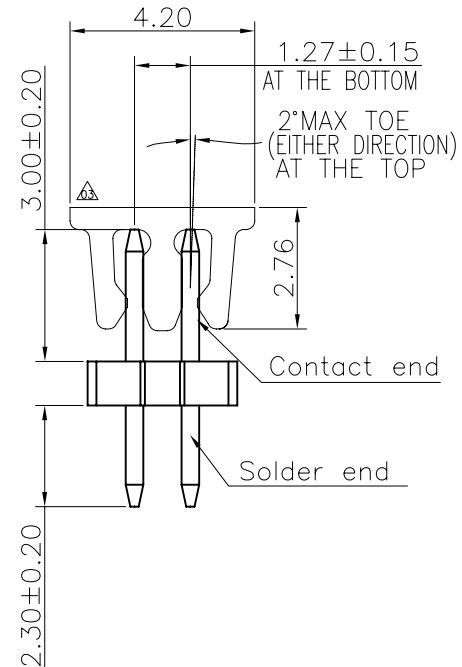
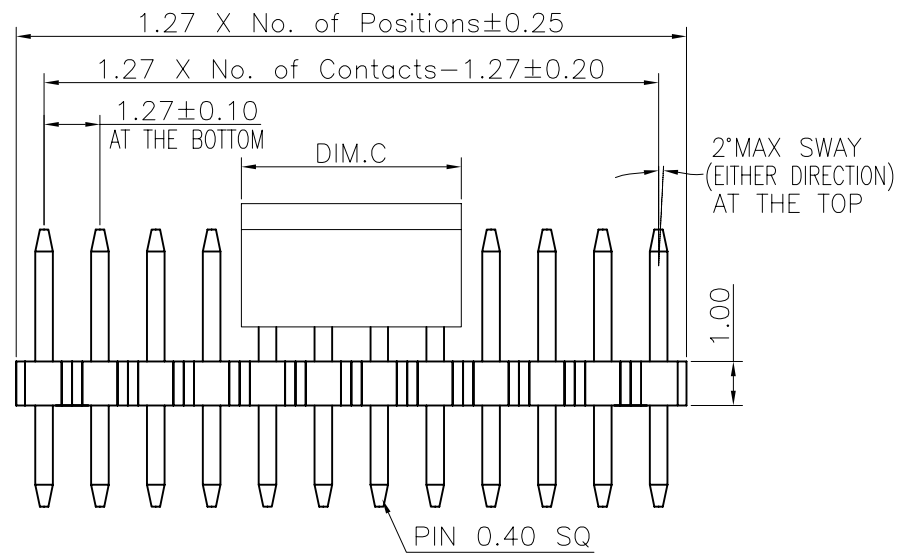
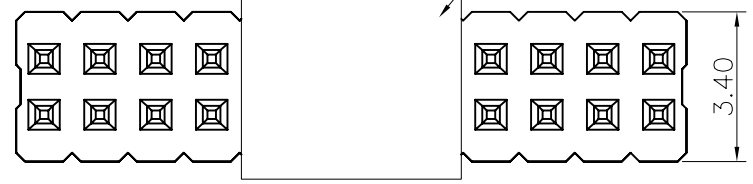
Dim.C	NOTE
4.00	03pin
5.00	04~50pin

Specifications  
 Current Rating:1.0Amp  
 Insulation Resistance:1000MΩMin.  
 Dielectric Withstanding Voltage:300VAC  
 Contact Resistance:20mΩMax.  
 Operating Temperature:-40°C to +105°C  
 Materials  
 Contact Material:Phosphor Bronze  
 Insulator Material:High Temperature Thermoplastic, UL 94V-0 LCP or the equivalent material  
 All materials must meet Greenconn hazardous substances control standards.

Recommended P.C.Board Layout  
 (Tolerance:±0.05)



The Cap used above 3 Pins



### Ordering Information

G PEA208 - XX XX A 001 C 1 A X

No. of Pins per Row: 02~50  
 Standard Plating: 02=Gold Flash  
 Selective Plating: 01=Tin, 05=Gold Flash/Tin  
 Color: 1=Black  
 Standard Packing: C=Tube (used 06~40pin)  
 Selective Packing: A=Box, D=Tape&Reel, E=CAP+Tube (used 05~40pin), F=Cap+Tape&Reel

<b>格菱股份有限公司</b> <b>Greenconn Corporation</b>			GENERAL TOLERANCE		DESIGNED: 胡金花	DATE: 2016.08.19	DWG. NO. GPEA208-CA1CA	TITLE. 1.27 PIN HEADER DUAL ROWS DIP TYPE CONNECTOR
			X.*±5.0°	X.±0.30	CHECKED: 曹 熙	DATE: 2016.08.19		
REV. 03	UNIT. mm	SCALE. 6:1	PAGE. 1/1	.X*±3.0°	.X±0.25	CO SIGNED: 廖世龍	DATE: 2016.08.19	PART NO. GPEA208-XXXX A001C1AX
				.XX*±2.0°	.XX±0.15	APPROVED: 李 輝	DATE: 2016.08.19	
				.XXX*±1.0°	.XXX±0.10			