

F

E

D

C

B

A

F

E

D

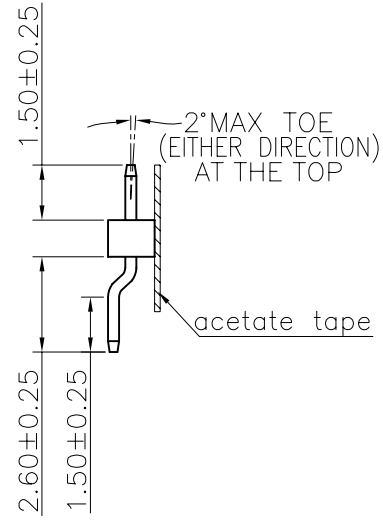
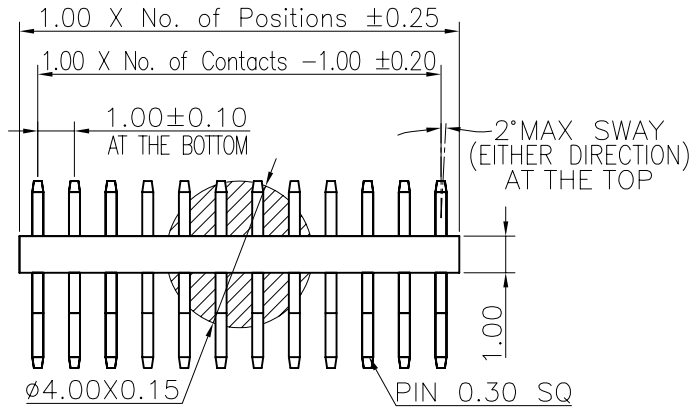
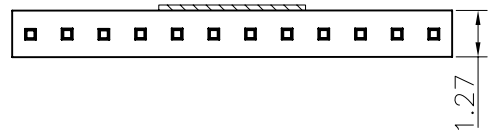
C

B

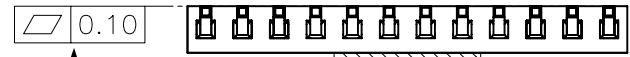
A

REV.	LOCAS.	DESCRIPTION	DATE	DRAWN
01	NEW	BATCH PRODUCTION INITIAL RELEASE.	2010.05.24	孫元
02	△2	變更新圖號	2010.12.14	黃明霞
03	△3	依業務要求增加車載產品	2018.09.13	何東華

Greenconn P/N	Customer	Remarks
GPCD101-0302A003C1AD	G005	Automotive Connector
GPCD101-0302A003C1AH	G005	Automotive Connector



Specifications  
 Current Rating:1.0Amp  
 Insulation Resistance:1000MΩMin.  
 Dielectric Withstanding Voltage:300VAC  
 Contact Resistance:20mΩMax.  
 Operating Temperature:-40°C to +105°C  
 Materials  
 Contact Material:Phosphor Bronze  
 Insulator Material:High Temperature Thermoplastic, UL 94V-0 LCP or the equivalent material  
 ☆All materials must meet GREENCONN hazardous substances control standards.  
 "★": Critical Characteristics.  
 "★":indicates product characteristics, functionalities, and manufacturing processes regarding to customer's specifications  
 "☆": Safety Features  
 "☆":indicates product characteristics, functionalities, and manufacturing processes complying to legal regulations stated by local government



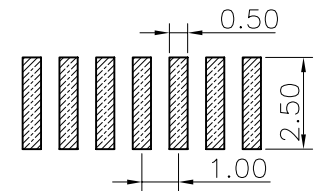
The acetate tape used above 4Pins

### Ordering Information

G PCD101 - XX XX A 003 C 1 A X

No. of Pins per Row 02~40  
 Standard Plating 02=Gold Flash Selective Plating 01=Tin  
 Color 1=Black  
 Standard Packing C=Tube(03~40pin)  
 Selective Packing A=Box D=Tape&Reel G=Acetate Tape+Tube(無合適膠管) H=Acetate Tape+Tape&Reel

Recommended P.C.Board Layout  
 (Tolerance:±0.05)



格稜股份有限公司  
**Greenconn Corporation**

GENERAL TOLERANCE		DESIGNED: 何東華	DATE: 2018.09.13	DWG. NO.	TITLE. 1.00 PIN HEADER SINGLE ROW SMT TYPE CONNECTOR
X.*±5.0°	X.±0.30	CHECKED:	DATE:	GPCD101-CA3CA	
.X*±3.0°	.X±0.25	CO SIGNED: 價偉鵬	DATE: 2018.09.13	PART NO.	
.XX*±2.0°	.XX±0.15	APPROVED:	DATE:	GPCD101-XXXX A003C1AX	
.XXX*±1.0°	.XXX±0.10				

REV.	UNIT.	SCALE.	PAGE.	
03	mm	5:1	1/1	