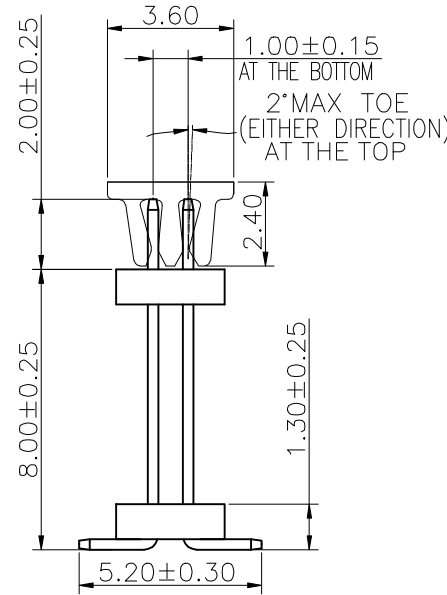
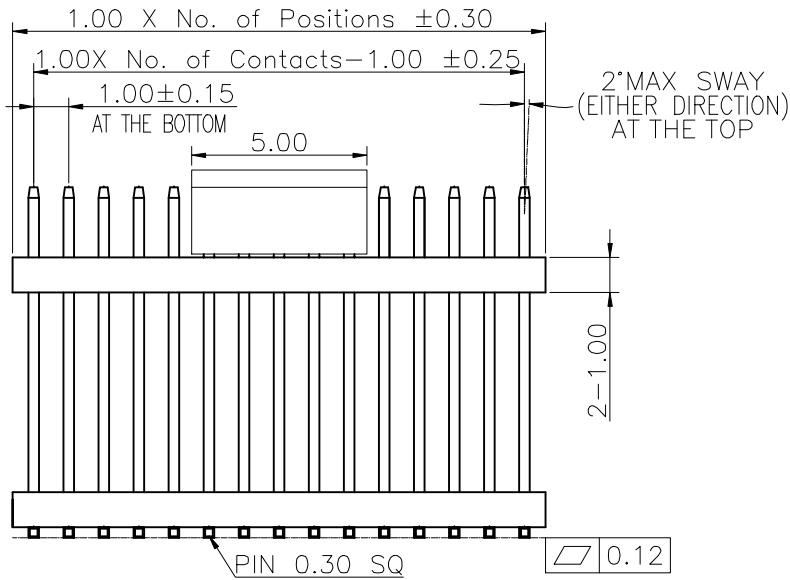
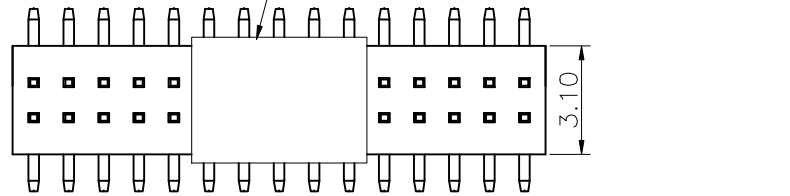


無合適膠管

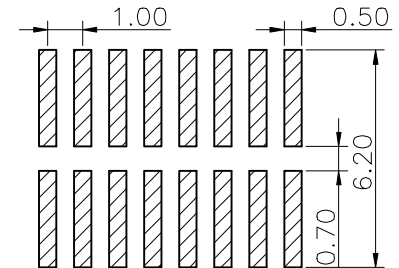
The cap used above 5 pins

REV.	LOCAS.	DESCRIPTION	DATE	DRAWN
01	NEW	BATCH PRODUCTION INITIAL RELEASE.	2020.10.13	何東華

Specifications
 Current Rating:1Amp
 Insulation Resistance:1000MΩMin.
 Dielectric Withstanding Voltage:300VAC
 Contact Resistance:20mΩMax.
 Operating Temperature:-40°C to +105°C
 Materials
 Contact Material:Phosphor Bronze
 Insulator Material:High Temperature Thermoplastic, UL 94V-0 LCP or the equivalent material
 All materials must meet GREENCONN hazardous substances control standards.



Recommended P.C.Board Layout
 (Tolerance:±0.05)



Ordering Information

G PCC205 - XX XX A 038 C 1 S X

No. of Pins per Row
02~40

Standard Plating
02=Gold Flash
Selective Plating
01=Tin

Color
1=Black

Standard Packing
C=Tube
Selective Packing
E=Cap+Tube
F=Cap+Tape&Reel
D=Tape&Reel

格稜股份有限公司
Greenconn Corporation

GENERAL TOLERANCE

X'±5.0'	X.±0.30
.X'±3.0'	.X±0.25
.XX'±2.0'	.XX±0.15
.XXX'±1.0'	.XXX±0.10

DESIGNED: 何東華

DATE: 2020.10.13

CHECKED:

DATE:

CO SIGNED: 張世霖

DATE: 2020.10.13

APPROVED:

DATE:

DWG. NO.

GPCC205-CA38CS

PART NO.

GPCC205-XXXX A038C1SX

TITLE.

1.00 PIN HEADER
 DUAL ROWS SMT TYPE
 CONNECTOR

REV.	UNIT.	SCALE.	PAGE.	Symbol
01	mm	5:1	1/1	