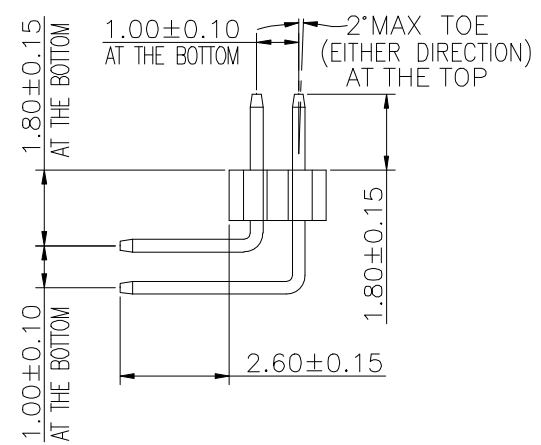
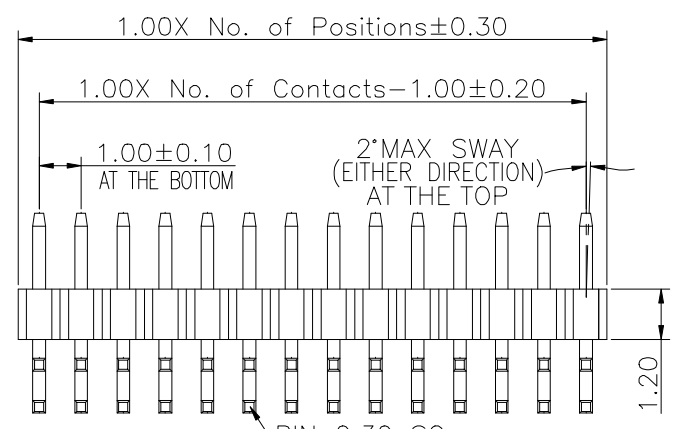
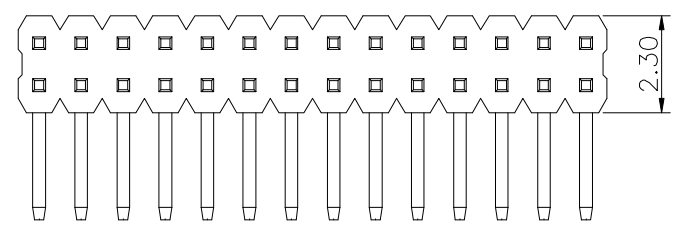
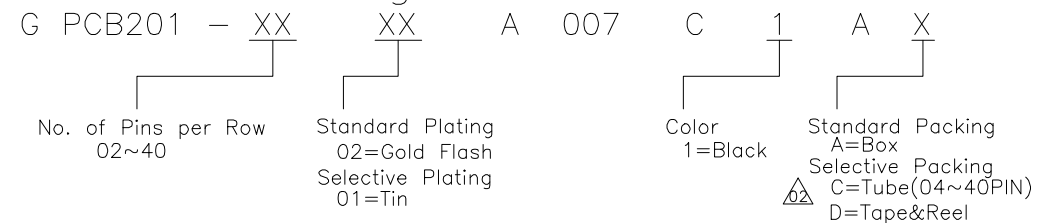


REV.	LOCAS.	DESCRIPTION	DATE	DRAWN
01	NEW	BATCH PRODUCTION INITIAL RELEASE.	2014.08.05	李芳忠
02	△	Add packaging information(N-N211122)	2021.11.04	郭康

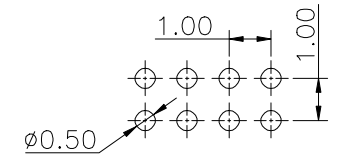


Specifications  
 Current Rating:1.0Amp  
 Insulation Resistance:1000MΩMin.  
 Dielectric Withstanding Voltage:300VAC  
 Contact Resistance:20mΩMax.  
 Operating Temperature:-40°C to +105°C  
 Materials  
 Contact Material:Phosphor Bronze  
 Insulator Material:High Temperature Thermoplastic, UL 94V-0 LCP or the equivalent material  
 All materials must meet Greenconn hazardous substances control standards.

### Ordering Information



Recommended P.C.Board Layout  
 (Tolerance:±0.05)



 Website:www.greenconn.com E-mail:sales@greenconn.com	3RD.ANG PROJ.  PAGE. 1/1	GENERAL TOLERANCE X:±5.0' X:±0.30 .X'±3.0' .X±0.25 .XX'±2.0' .XX±0.15 .XXX'±1.0' .XXX±0.10		DESIGNED: 郭康 DATE: 2021.11.04	DWG. NO. GPCB201-CA7CA PART NO. GPCB201-XXXX A007C1AX	TITLE. 1.00 PIN HEADER DUAL ROWS R/A TYPE CONNECTOR
		REV. 02 UNIT. mm SCALE. 6:1	CHECKED: DATE:	APPROVED: DATE:		