

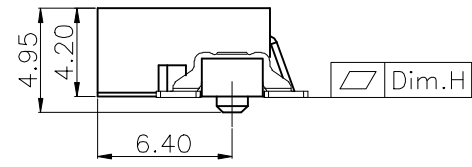
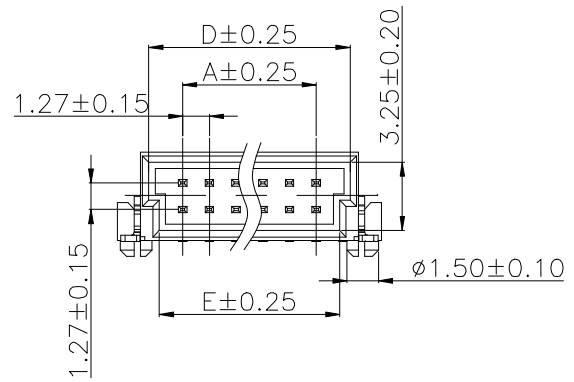
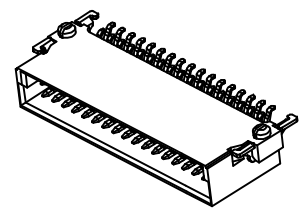
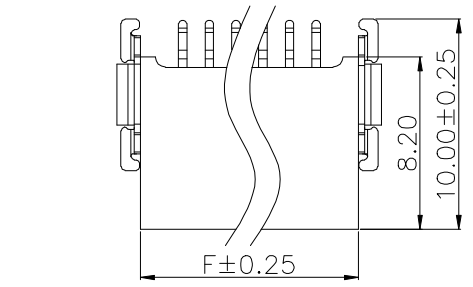
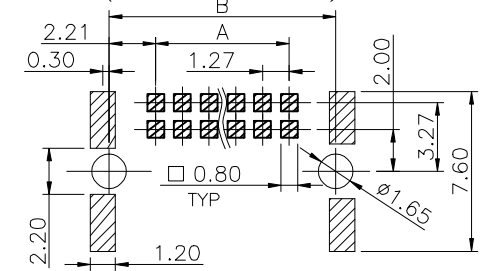
REV.	LOCAS.	DESCRIPTION	DATE	DRAWN
04	△	依業務要求，新增可生產PIN數(R-N181202)	2019.01.04	馮國康
05	△	依客戶要求修改電氣特性	2021.04.29	何東華

Specifications

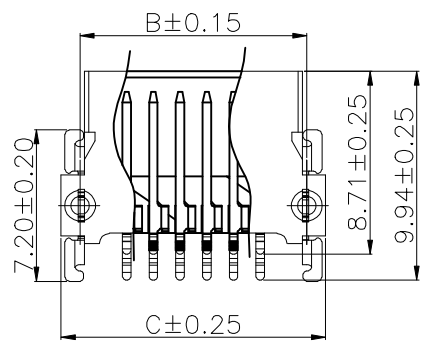
Current Rating:1.70Amp/PIN, △
 Insulation Resistance:10000M Ω Min.
 Dielectric Withstanding Voltage:500VAC
 Contact Resistance:25m Ω Max.
 Operating Temperature:-55°C to +125°C
 Materials
 Contact Material:Copper Alloy
 Insulator Material:High Temperature Thermoplastic, UL 94V-0 LCP or the equivalent material
 Colour:Black
 All materials must meet Greenconn requirement for environment protection.

PIN NO.	A	B	C	D	E	F
△ 2X05	5.08	9.50	11.40	8.30	7.30	9.08
△ 2X06	6.35	10.77	12.67	9.57	8.57	10.35
△ 2X08	8.89	13.31	15.21	12.11	11.11	12.89
△ 2X10	11.43	15.85	17.75	14.65	13.65	15.43
△ 2X13	15.24	19.66	21.56	18.46	17.46	19.24
△ 2X16	19.05	23.47	25.37	22.27	21.27	23.05
△ 2X20	24.13	28.55	30.45	27.35	26.35	28.13
△ 2X25	30.48	34.90	36.80	33.70	32.70	34.48
△ 2X34	41.91	46.33	48.23	45.13	44.13	45.91
△ 2X40	49.53	53.95	55.85	52.75	51.75	53.53

Recommended P.C.Board Layout (Tolerance:±0.05)



Pin NO.	Dim.H
≤25pin	0.12
>25pin	0.15



Ordering Information

G BED202 - XX XX B 001 C 1 A X

No. of Pins per Row: 05,06,08,10,13,16,20,25,34,40
 Standard Plating: 79=5u"Au/80~160u"Matte Tin, 34=10u"Gold/Gold Flash, 05=Gold flash/Tin
 Standard Packing: C=Tube, Selective Packing, D=Tape&Reel



3RD.ANG PROJ.
 SCALE: 3:1
 PAGE: 1/1

GENERAL TOLERANCE	
X'±5.0"	X.±0.30
.X'±3.0"	.X±0.25
.XX'±2.0"	.XX±0.15
.XXX'±1.0"	.XXX±0.10

DESIGNED: 何東華 DATE: 2021.04.29
 CHECKED: DATE:
 APPROVED: DATE:

DWG. NO. GBED202-CB1CA
 PART NO. GBED202-XXXXB001C1AX

TITLE. Pitch1.27 male Connector SMC B Type 90° SMT Type