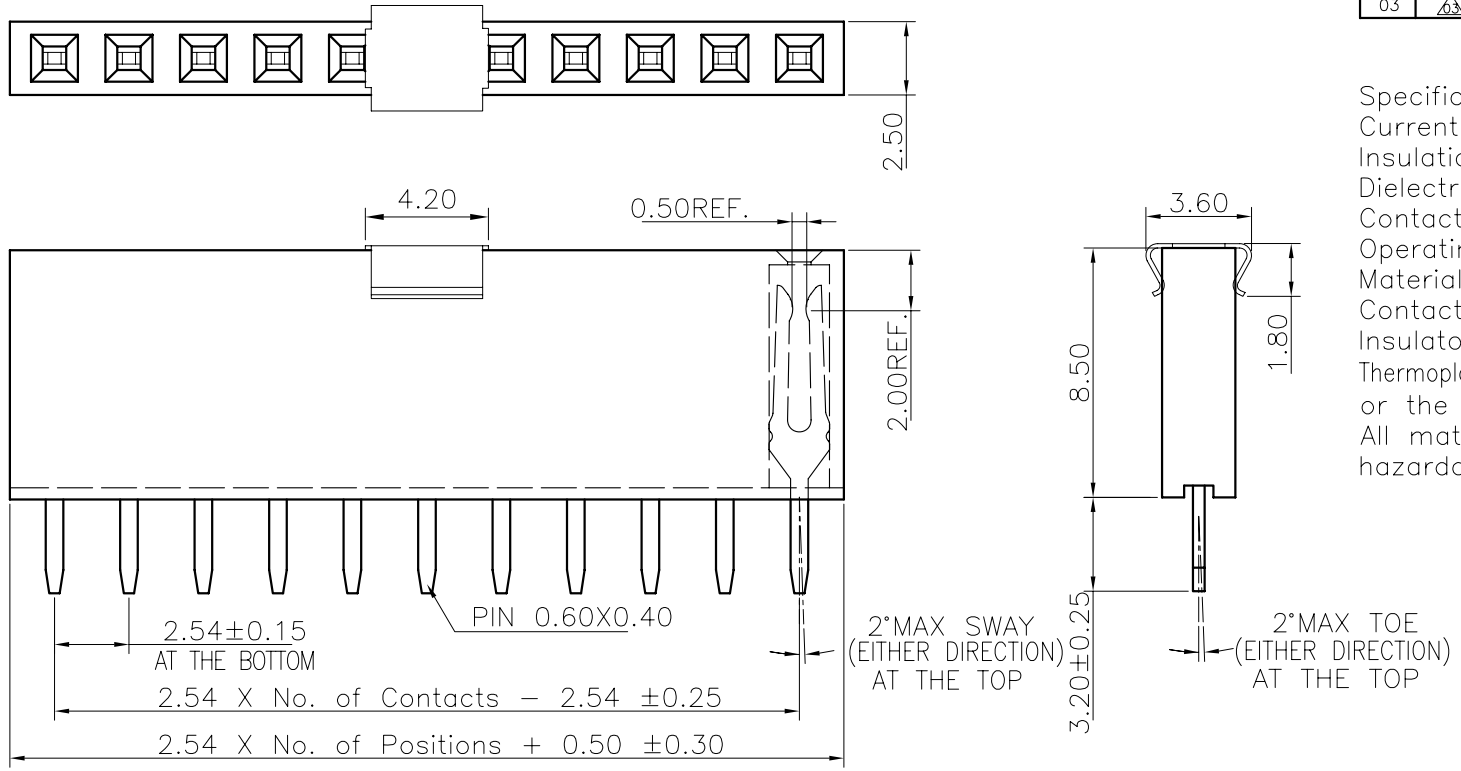


REV.	LOCAS.	DESCRIPTION	DATE	DRAWN
01	NEW	BATCH PRODUCTION INITIAL RELEASE.	2009.07.24	車 激
02	△	依上級要求變更圖號	2011.08.11	李芳忠
03	△△	依業務要求變更無齒表達方式	2016.03.18	馮國東

Specifications  
 Current Rating:3.0Amp  
 Insulation Resistance:1000MΩMin.  
 Dielectric Withstanding Voltage:600VAC  
 Contact Resistance:20mΩMax.  
 Operating Temperature:-40°C to +105°C  
 Materials  
 Contact Material:Phosphor Bronze  
 Insulator Material:High Temperature Thermoplastic, UL 94V-0 Nylon 6T(Halogen Free)△△ or the equivalent material  
 All materials must meet GREENCONN hazardous substances control standards.

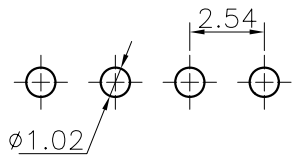


### Ordering Information

C SHA101 - XX XX A 001 R 1 A X

No. Of Pins Per Row: 02~40  
 Standard Plating: 02=Gold Flash, Selective Plating: 01=Tin, 05=Gold Flash/Tin  
 Color: 1=Black  
 Standard Packing: A=Box, Selective Packing: C=Tube, E=Cap+Tube, F=Cap+Tape&Reel

Recommended P.C.Board Layout  
 (Tolerance:±0.05)



格稜股份有限公司  
**Greenconn Corporation**

GENERAL TOLERANCE		DESIGNED: 馮國東	DATE: 2016.03.18
X.*±5.0°	X.±0.30	CHECKED: 曹 熙	DATE: 2016.03.18
.X*±3.0°	.X±0.25	CO SIGNED: 劉北平	DATE: 2016.03.18
.XX*±2.0°	.XX±0.15	APPROVED: 李 輝	DATE: 2016.03.18
.XXX*±1.0°	.XXX±0.10		

DWG. NO.	△ CSHA101-CA1RA
PART NO.	CSHA101-XXXX A001R1AX

TITLE:  
 2.54 FEMALE HEADER  
 SINGLE ROW DIP TYPE  
 CONNECTOR

REV. 03	UNIT. mm	SCALE. 4:1	PAGE. 1/1	
---------	----------	------------	-----------	--