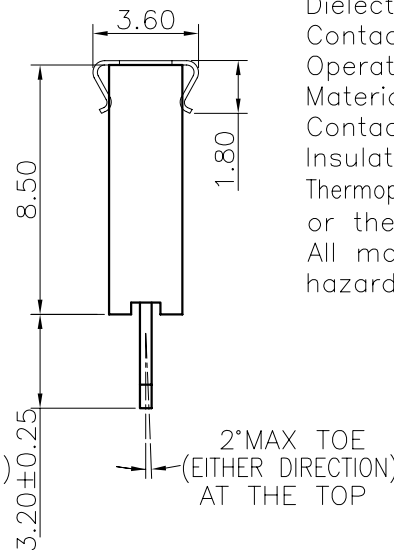
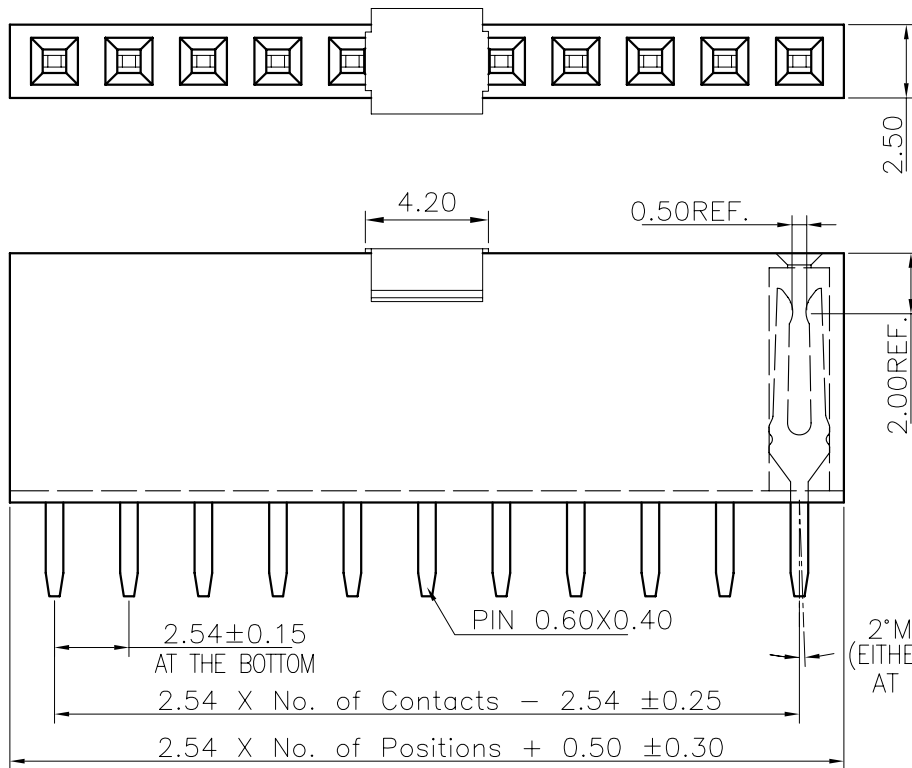


REV.	LOCAS.	DESCRIPTION	DATE	DRAWN
01	NEW	BATCH PRODUCTION INITIAL RELEASE.	2009.07.24	車 激
02	△	依上級要求變更圖號	2011.08.11	李芳忠
03	△△	依業務要求變更無齒表達方式	2016.03.18	馮國東

Specifications

Current Rating:3.0Amp
 Insulation Resistance:1000MΩMin.
 Dielectric Withstanding Voltage:600VAC
 Contact Resistance:20mΩMax.
 Operating Temperature:-40°C to +105°C
 Materials
 Contact Material:Phosphor Bronze
 Insulator Material:High Temperature Thermoplastic, UL 94V-0 Nylon 6T(Halogen Free)△△ or the equivalent material
 All materials must meet GREENCONN hazardous substances control standards.

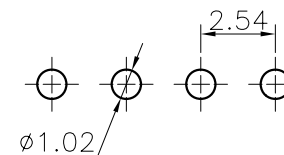


Ordering Information

C SHA101 - XX XX A 001 R 1 A X

No. Of Pins Per Row 02~40
 Standard Plating 02=Gold Flash
 Selective Plating 01=Tin 05=Gold Flash/Tin
 Color 1=Black
 Standard Packing A=Box
 Selective Packing C=Tube E=Cap+Tube F=Cap+Tape&Reel

Recommended P.C.Board Layout
 (Tolerance:±0.05)



格稜股份有限公司
Greenconn Corporation

GENERAL TOLERANCE	
X.*±5.0°	X.±0.30
.X*±3.0°	.X±0.25
.XX*±2.0°	.XX±0.15
.XXX*±1.0°	.XXX±0.10

DESIGNED: 馮國東	DATE: 2016.03.18
CHECKED: 曹 熙	DATE: 2016.03.18
CO SIGNED: 劉北平	DATE: 2016.03.18
APPROVED: 李 輝	DATE: 2016.03.18

DWG. NO.	CSHA101-CA1RA
PART NO.	CSHA101-XXXX A001R1AX

TITLE.	2.54 FEMALE HEADER SINGLE ROW DIP TYPE CONNECTOR
--------	--

REV.	UNIT.	SCALE.	PAGE.
03	mm	4:1	1/1