

REV.	LOCAS.	DESCRIPTION	DATE	DRAWN
01	NEW	BATCH PRODUCTION INITIAL RELEASE.	2009.07.24	車 激
02	△	依上級要求變更圖號	2011.08.11	李芳忠
03	△△	依業務要求變更無齒表達方式	2016.03.18	馮國東

Specifications

Current Rating:3.0Amp

Insulation Resistance:1000MΩMin.

Dielectric Withstanding Voltage:600VAC

Contact Resistance:20mΩMax.

Operating Temperature:-40°C to +105°C

Materials

Contact Material:Phosphor Bronze

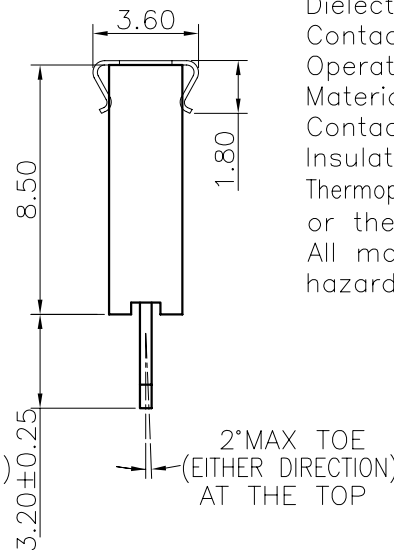
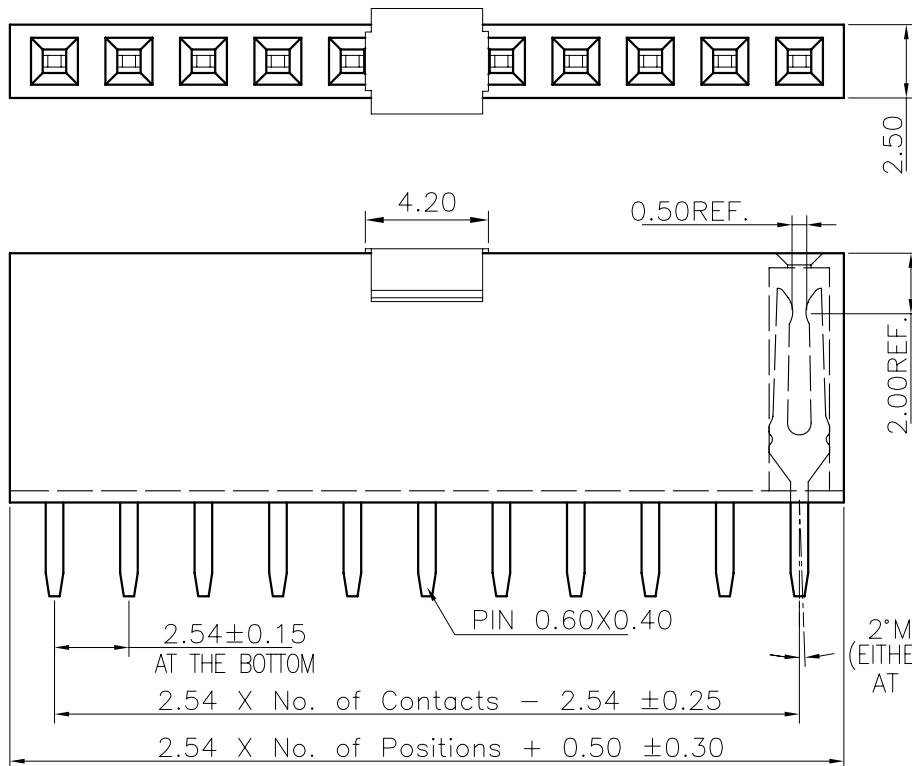
Insulator Material:High Temperature

Thermoplastic, UL 94V-0 Nylon 6T(Halogen Free)△

or the equivalent material

All materials must meet GREENCONN

hazardous substances control standards.



Ordering Information

C SHA101 - XX XX A 001 R 1 A X

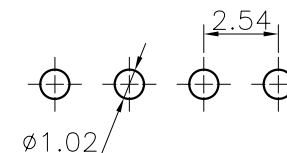
No. Of Pins Per Row 02~40

Standard Plating
02=Gold Flash
Selective Plating
01=Tin
05=Gold Flash/Tin

Color
1=Black

Standard Packing
A=Box
Selective Packing
C=Tube
E=Cap+Tube
F=Cap+Tape&Reel

Recommended P.C.Board
Layout
(Tolerance:±0.05)



格稜股份有限公司
Greenconn Corporation

GENERAL TOLERANCE	
X.°±5.0°	X.±0.30
.X°±3.0°	.X±0.25
.XX°±2.0°	.XX±0.15
.XXX°±1.0°	.XXX±0.10

DESIGNED: 馮國東	DATE: 2016.03.18
CHECKED: 曹 熙	DATE: 2016.03.18
CO SIGNED: 劉北平	DATE: 2016.03.18
APPROVED: 李 輝	DATE: 2016.03.18

DWG. NO.	CSHA101-CA1RA
PART NO.	CSHA101-XXXX A001R1AX

TITLE.	2.54 FEMALE HEADER SINGLE ROW DIP TYPE CONNECTOR
--------	--

REV.	UNIT.	SCALE.	PAGE.
03	mm	4:1	1/1