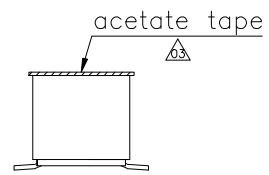
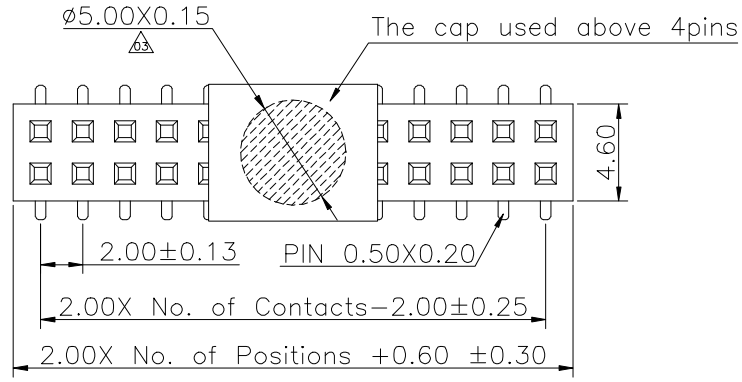
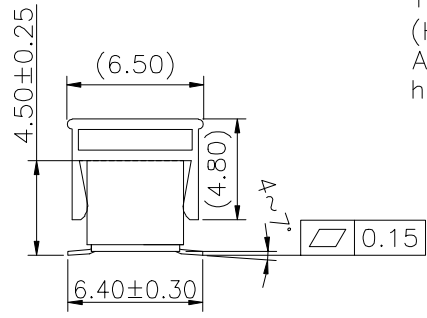
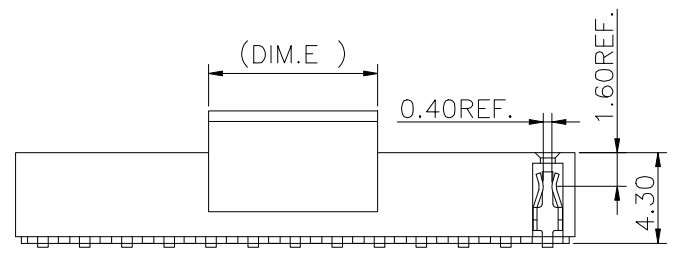


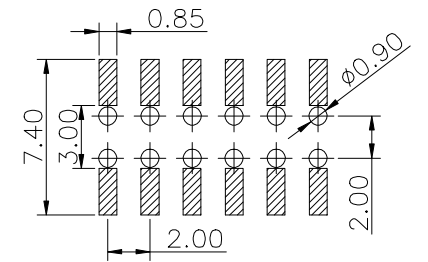
REV.	LOCAS.	DESCRIPTION	DATE	DRAWN
01	NEW	INITIAL RELEASE.	2010.04.02	謝金發
02	△	依上級要求變更圖號	2012.05.30	李芳忠
03	△	為改善貼膠紙效率，變更膠紙配方	2013.01.29	邱明周
04	△	more the choose of cap	2021.09.30	郭康



Specifications
 Current Rating: 2.0Amp
 Insulation Resistance: 1000MΩMin.
 Dielectric Withstanding Voltage: 500VAC
 Contact Resistance: 20mΩMax.
 Operating Temperature: -40°C to +105°C
 Materials
 Contact Material: Phosphor Bronze
 Insulator Material: High Temperature Thermoplastic, UL 94V-0 Nylon (Halogen Free) or the equivalent material
 All materials must meet Greenconn hazardous substances control standards.



Recommended P.C.Board Layout FOR BOTTOM ENTRY (Tolerance: ±0.05)



Ordering Information

C SFC201 - XX XX A 001 R 1 A X

- No. of Pins per Row: 02~40
- Standard Plating: 02=Gold Flash
- Selective Plating: 01=Tin, 05=Gold Flash/Tin
- Color: 1=Black
- Standard Packing: C=Tube (05~40PIN)
- Selective Packing: A=Box, E=Cap+Tube (05~40PIN), F=Cap+Tape&Reel, G=Acetate Tape+Tube (05~40PIN), H=Acetate Tape+Tape&Reel

DIM.E	NOTE
4.00	02~03PIN
8.05	04~40PIN

<p>Website: www.greenconn.com E-mail: sales@greenconn.com</p>	3RD.ANG PROJ. 	GENERAL TOLERANCE		DESIGNED: 郭康	DATE: 2021.09.30	DWG. NO. △ CSFC201-CA1RA	TITLE: 2.00 FEMALE HEADER DUAL ROWS SMT TYPE CONNECTOR
		X: ±5.0'	X: ±0.30	CHECKED:	DATE:		
REV. 04	UNIT. mm	SCALE. 3:1	PAGE. 1/1	APPROVED:	DATE:		
				X: ±3.0'	X: ±0.25		
				.XX: ±2.0'	.XX: ±0.15		
				.XXX: ±1.0'	.XXX: ±0.10		