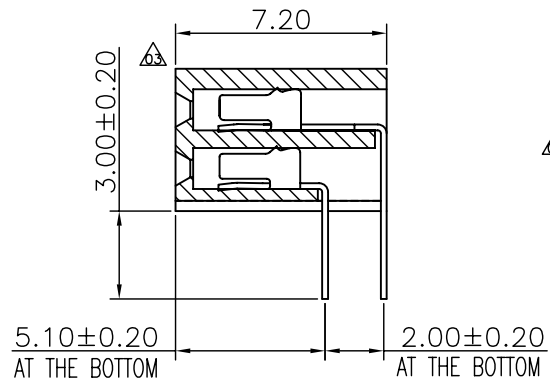
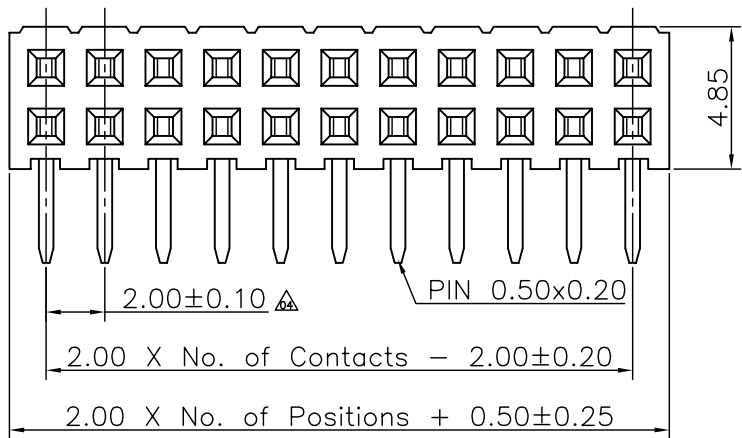
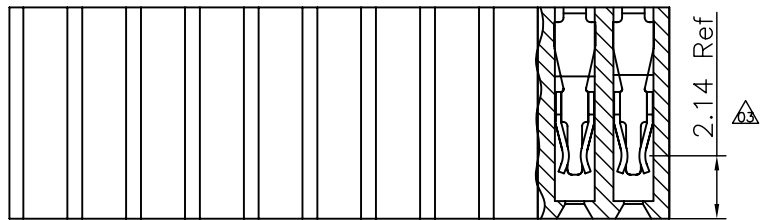


REV.	LOCAS.	DESCRIPTION	DATE	DRAWN
02	△△	變更料號	2009.03.02	林澤云
03	△△	變更圖號, 新增剖視圖以及對插接觸點	2011.10.24	黃小燕
04	△△	因客訴下板困難, 增加端子間距尺寸中心	2015.02.14	邱國強



Specifications
 Current Rating: 2Amp
 Insulation Resistance: 1000MΩMin.
 Dielectric Withstanding Voltage: 500VAC
 Contact Resistance: 20mΩMax.
 Operating Temperature: -40°C to +105°C
 Materials
 Contact Material: Phosphor Bronze
 Insulator Material: High Temperature Thermoplastic, UL 94V-0 Nylon 6T or the equivalent material
 △△ All materials must meet Greenconn hazardous substances control standards.

△△ Ordering Information

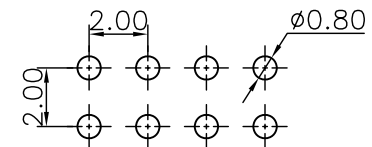
C SFB203 - XX XX A 009 B 1 A X

No. of Pins per Row 02~40
 Standard Plating 02=Gold Flash
 Selective Plating 01=Tin 05=Gold Flash/Tin

Color 1=Black

Standard Packing C=Tube
 Selective Packing A=Box

Recommended P.C.Board Layout
 (Tolerance: ±0.05)



格稜股份有限公司
Greenconn Corporation

GENERAL TOLERANCE	
X.* ± 5.0°	X. ± 0.30
.X* ± 3.0°	.X ± 0.25
.XX* ± 2.0°	.XX ± 0.15
.XXX* ± 1.0°	.XXX ± 0.10

DESIGNED: 邱國強	DATE: 2015.02.14
CHECKED:	DATE:
CO SIGNED: 劉北平	DATE: 2015.02.14
APPROVED:	DATE:

DWG. NO. △△	△△
CSFB203-CA9BA	
PART NO. △△	△△
CSFB203-XXXX A009B1AX	

TITLE.	
2.00 FEMALE HEADER DUAL ROW (R/A) TYPE SIDE ENTRY	

REV.	UNIT.	SCALE.	PAGE.	④
04	mm	4:1	1/1	