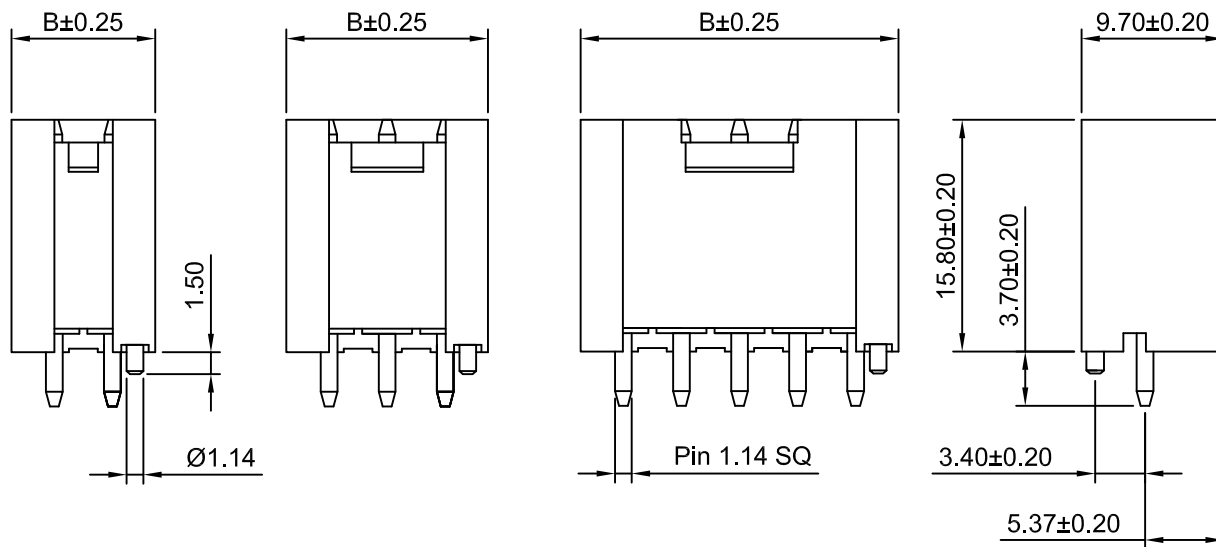


2P

3P

4~15P



Pin 1.14 SQ

Ordering Information:

A3963WVD-F-XP-H - *** - *** - *** - ***
 1 2 3 4 5

1.Part NO.

2.Material:

(Blank): PBT,UL94V-0(White)

GWT: Nylon 66,UL94V-0(Beige),IEC 60335-1,5th Edition
 Glow Wire Capable.

46: Nylon 46,UL94V-0(Beige)

6T: Nylon 6T,UL94V-0(Beige)

3.Color:

(Blank): White

BK: Black

RD: Red

BL: Blue

GN: Green

YL: Yellow

OR: Orange

PK: Pink

GY: Gray

4.Finish:

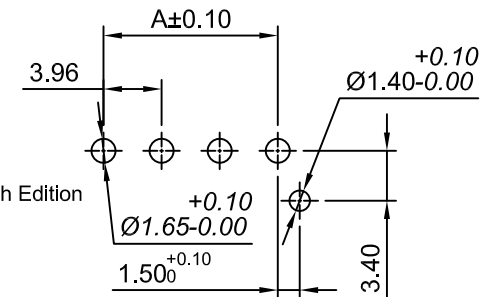
(Blank): Tin over Nickel

G: Gold over Nickel

5.Void position:

(Blank): Full positions

N*.*: Void position(select Arbitrary numbers)



P.C.B LAYOUT

TOLERANCE:±0.05

SPECIFICATIONS:

Current Rating: 10A AC,DC(AWG #16)

Voltage Rating: 250V AC,DC

Temperature Range: -40°C ~ +105°C

Contact Resistance: 10mΩ Max

Insulation Resistance: 1000MΩ Min

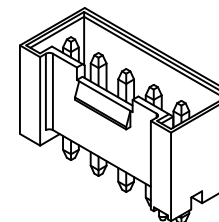
Withstanding Voltage: 1500V AC/minute

Pin Material: Brass/Tin over Nickel

Material: PBT+30%GF,UL94V-0(White)

Ordering Information & Dimensions

Part NO.	Dimensions(mm)	
	A	B
A3963WVD-F-2P-H	3.96	9.80
A3963WVD-F-3P-H	7.92	13.76
A3963WVD-F-4P-H	11.88	17.72
A3963WVD-F-5P-H	15.84	21.68
A3963WVD-F-6P-H	19.80	25.64
A3963WVD-F-7P-H	23.76	29.60
A3963WVD-F-8P-H	27.72	33.56
A3963WVD-F-9P-H	31.68	37.52
A3963WVD-F-10P-H	35.64	41.48
A3963WVD-F-11P-H	39.60	45.44
A3963WVD-F-12P-H	43.56	49.40
A3963WVD-F-13P-H	47.52	53.36
A3963WVD-F-14P-H	51.48	57.32
A3963WVD-F-15P-H	55.44	61.28



CHANGJIANG CONNECTORS CO.,LTD.

Unit	Scale	Sheet	TITLE
mm	2:1	1 of 1	3.96mm PITCH VERTICAL DIP HEADER
DRWN	CHK'D	APPR	
Dengchun Yi	Diankui Wan	Jack Yin	

General Tolerances	THIRD ANGLE PROJECTION
x.x±0.25	
x.xx±0.20	
x.xxx±0.15	
ANGLES ±1°	

DRAWING NO.	REV
A3963WVD-F-XP-H	A2

A2	MODIFY DRAWING	2021.08.14
A1	UPDATE THE SIZE	2017.04.20
A0	NEW RELEASE	2005.05.24
REV	DESCRIPTION	DATE