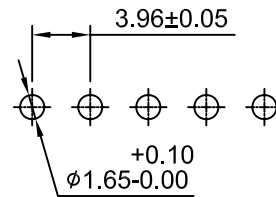


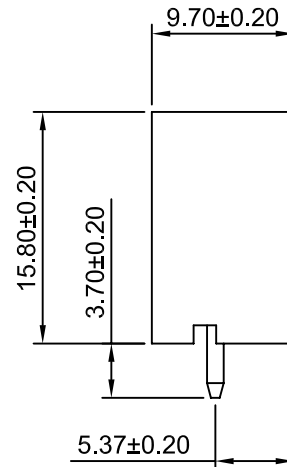
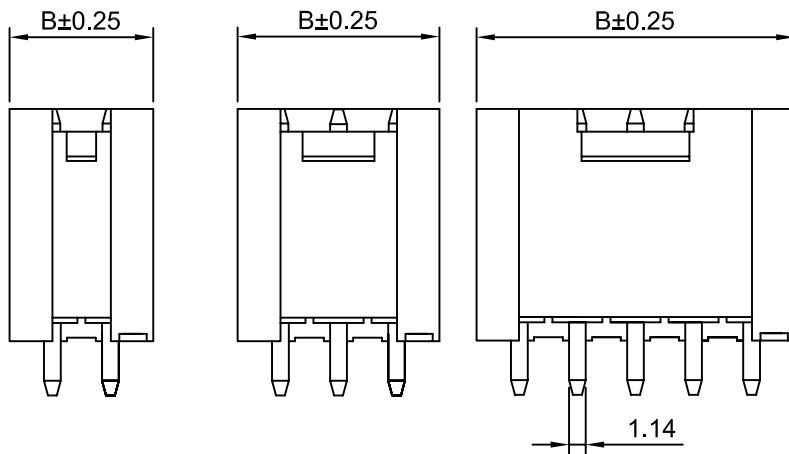
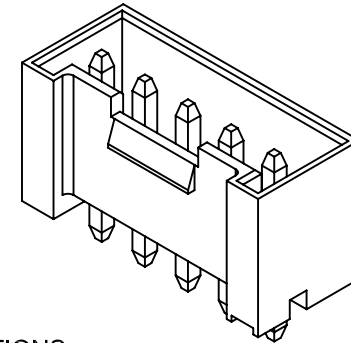
2P

3P

4~15P



P.C.B LAYOUT



**SPECIFICATIONS:**

Current Rating: 10A AC,DC(AWG #16)

Voltage Rating: 250V AC,DC

Temperature Range: -40°C ~ +105°C

Contact Resistance: 10mΩ Max

Insulation Resistance: 1000MΩ Min

Withstanding Voltage: 1500V AC/minute

Pin Material: Brass/Tin-plated

Material: PBT+30%GF,UL94V-0(Natural)

**Ordering Information & Dimensions**

Circuits	Dimensions(mm)		Circuits	Dimensions(mm)	
	A	B		A	B
2P	3.96	9.80	9P	31.68	37.52
3P	7.92	13.76	10P	35.64	41.48
4P	11.88	17.72	11P	39.60	45.44
5P	15.84	21.68	12P	43.56	49.40
6P	19.80	25.64	13P	47.52	53.36
7P	23.76	29.60	14P	51.48	57.32
8P	27.72	33.56	15P	55.44	61.28



CHANGJIANG CONNECTORS CO.,LTD.

Unit	Scale	Sheet
mm	2:1	1 of 1
Draw BY:	Approved :	
Tony Su	Jack Yin	

Title :  
**3.96mm PITCH**  
**180° WAFER**

A1	Update the size	2017.04.20	x.x≤0.25	ANGLE± 
A0	NEW RELEASE	2005.05.24	x.xx≤0.20	
REV	DESCRIPTION	DATE	x.xxx≤0.15	

DRAW NO : A3963WVD-XP-H      REV A1