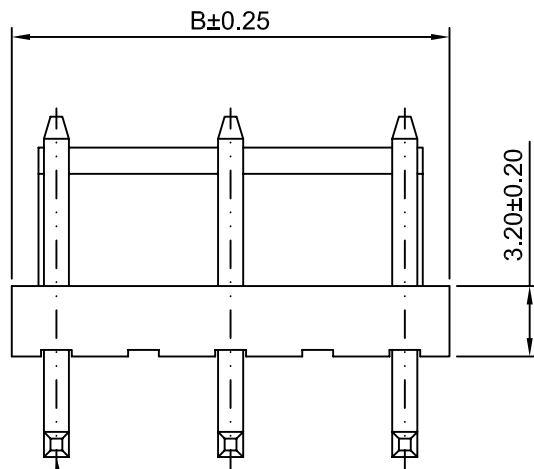
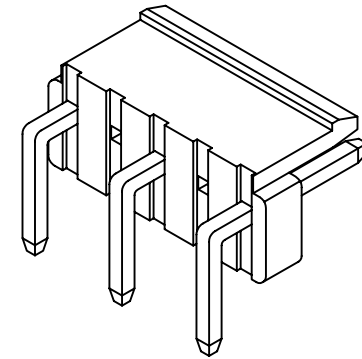
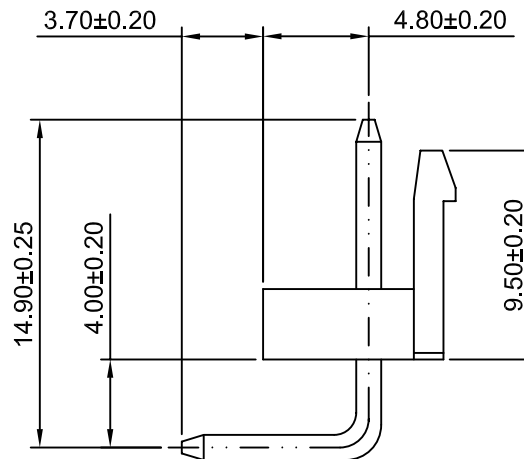


P.C.B LAYOUT



Circuit 1
PIN 1.14 SQ



SPECIFICATIONS:

Current Rating: 10A AC,DC(AWG #16)
 Voltage Rating: 250V AC,DC
 Temperature Range: -40°C ~ +105°C
 Contact Resistance: 10mΩ Max
 Insulation Resistance: 1000MΩ Min
 Withstanding Voltage: 1500V AC/minute
 Pin Material: Brass/Tin over Nickel
 Material: Nylon 66,UL94V-0(White)

Ordering Information & Dimensions

Circuits	Dimensions(mm)		Circuits	Dimensions(mm)	
	A	B		A	B
3P	7.92	11.88	11P	39.60	43.56
5P	15.84	19.80	13P	47.52	51.48
7P	23.76	27.72	15P	55.44	59.40
9P	31.68	35.64			



CHANGJIANG CONNECTORS CO.,LTD.

Unit	Scale	Sheet
mm	3:1	1 of 1
Draw BY:	Approved :	
Tony Su	Jack Yin	

Title :
7.92mm PITCH
90° WAFER

				General Tolerance
A0	NEW RELEASE	2005.05.10	x.x≤0.25	ANGLE±
REV	DESCRIPTION	DATE	x.xx≤0.20	
			x.xxx≤0.15	

DRAW NO : **A3963WR-XP-A** REV A0