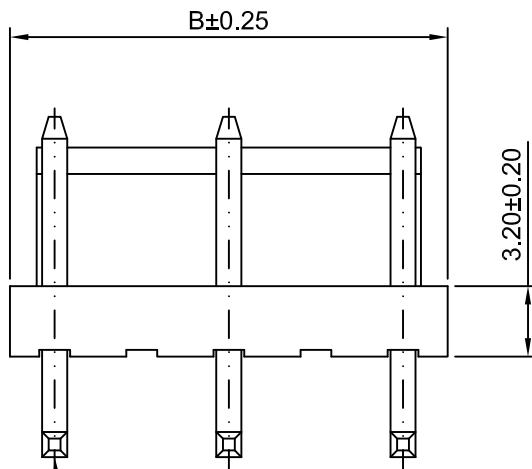
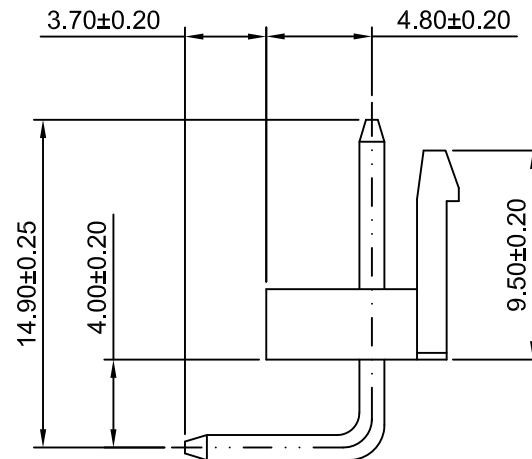


P.C.B LAYOUT



Circuit 1  
PIN 1.14 SQ



Ordering Information:

A3963WR-XP-A - \*\*\* - \*\*\*

1 2 3

1.Part NO.

2.Material:

(Blank): Nylon 66,UL94V-0

GWT: Nylon 66,UL94V-0(Beige),

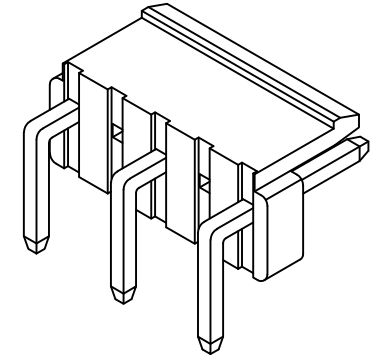
IEC 60335-1,5th Edition

Glow Wire Capable.

3.Finish:

(Blank): Tin over Nickel

G: Gold over Nickel



SPECIFICATIONS:

Current Rating: 10A AC,DC(AWG #16)

Voltage Rating: 250V AC,DC

Temperature Range: -40°C ~ +105°C

Contact Resistance: 10mΩ Max

Insulation Resistance: 1000MΩ Min

Withstanding Voltage: 1500V AC/minute

Pin Material: Brass/Tin over Nickel

Material: Nylon 66,UL94V-0(White)

Ordering Information & Dimensions

Circuits	Dimensions(mm)		Circuits	Dimensions(mm)	
	A	B		A	B
3P	7.92	11.88	11P	39.60	43.56
5P	15.84	19.80	13P	47.52	51.48
7P	23.76	27.72	15P	55.44	59.40
9P	31.68	35.64			

**CJTconn**

CHANGJIANG CONNECTORS CO.,LTD.

Unit	Scale	Sheet
mm	3:1	1 of 1
DRWN	CHK'D	APPR
Wenmin Luo	Diankui Wan	Jack Yin

TITLE  
**7.92mm PITCH  
90° WAFER**

General Tolerances	THIRD ANGLE PROJECTION
x,xx±0.25	
x,xxx±0.20	
x,xxxx±0.15	
ANGLES ±1°	

DRAWING NO.	REV
<b>A3963WR-XP-A</b>	<b>A1</b>

A1	CHANGE THE DRAWING	2021.02.04
A0	NEW RELEASE	2005.05.10
REV	DESCRIPTION	DATE