

# DATA SHEET

**CURRENT SENSOR - LOW TCR**

AUTOMOTIVE GRADE

PA series

5%, 1%, 0.5%

sizes 0100/0201/0402/0603/0805/1206/2010/2512

RoHS compliant & Halogen free



**SCOPE**

This specification describes PA0100 to 2512 series current sensor - low TCR with metal substrate.

**APPLICATIONS**

- Smart Phone
- Batteries
- Computer
- Telecom / Datacom
- Industrial / Power supply
- Car electronics

**FEATURES**

- AEC-Q200 qualified
- Halogen-free Epoxy
- Total lead free without RoHS exemption
- RoHS compliant
- Reduce environmentally hazardous wastes
- High component and equipment reliability
- Non-forbidden materials used in products/production
- Low resistances applied to current sensing
- Moisture sensitivity level: MSL 1

**ORDERING INFORMATION - GLOBAL PART NUMBER**

Global part numbers are identified by the series, size, tolerance, packing type, temperature coefficient, taping reel and resistance value.

**GLOBAL PART NUMBER**

PA XXXX X X X XX XXXX X  
 (1) (2) (3) (4) (5) (6) (7)

**(1) SIZE**

0100/0201/0402/0603/0805/1206/2010/2512

**(2) TOLERANCE**

D = ±0.5%  
 F = ±1%  
 J = ±5%

**(3) PACKAGING TYPE**

R = Paper taping reel (PA0100~PA1206)  
 K = Embossed taping reel (PA2010/PA2512)

**(4) TEMPERATURE COEFFICIENT OF RESISTANCE**

E = ± 50ppm/°C  
 M = ± 75ppm/°C  
 F = ± 100ppm/°C  
 L = ± 150ppm/°C  
 G = ± 200ppm/°C  
 I = ± 300ppm/°C

**(5) TAPING REEL**

07 / 7W / 7T / 47 / 57 / 87 / 0L / WL / 4L inch dia. Reel and specific rated power Detailed power rating are shown in the Table 2.

**(6) RESISTANCE VALUE**

0.5 mΩ to 20 mΩ

**(7) DEFAULT CODE**

Letter L / Z is the system default code for ordering only. <sup>(Note)</sup>  
 L is for 0100/0201/0402/0603/0805  
 Z is for only 1206/2010/2512

Resistance code rule	Example
0UX	0U5=0.0005Ω
0RXXX	0R001 = 1mΩ 0R02 = 20mΩ

**ORDERING EXAMPLE**

The ordering code for a PA0805 0.125W chip resistor,TC50 value 0.01Ω (10mR) with ±1% tolerance, supplied in 7-inch tape reel with 5Kpcs quantify is: PA0805FRE070R01L.

**NOTE**

I. All our RChip products are RoHS compliant. "LFP" of the internal 2D reel label mentions "Lead-Free Process"

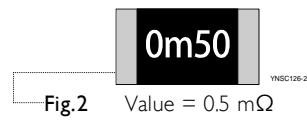
**MARKING**

PA0100/0201/0402/0603/0805/1206/2010



No Marking

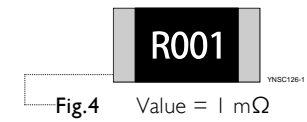
**PA2512**



4 digits

The "m" is used as decimal point; the other 3 digits are significant and the unit is milliohm

PA2512: 0.5mΩ and 0.75mΩ



4 digits

The "R" is used as a decimal point; the other 3 digits are significant

PA2512: 1mΩ to 20mΩ

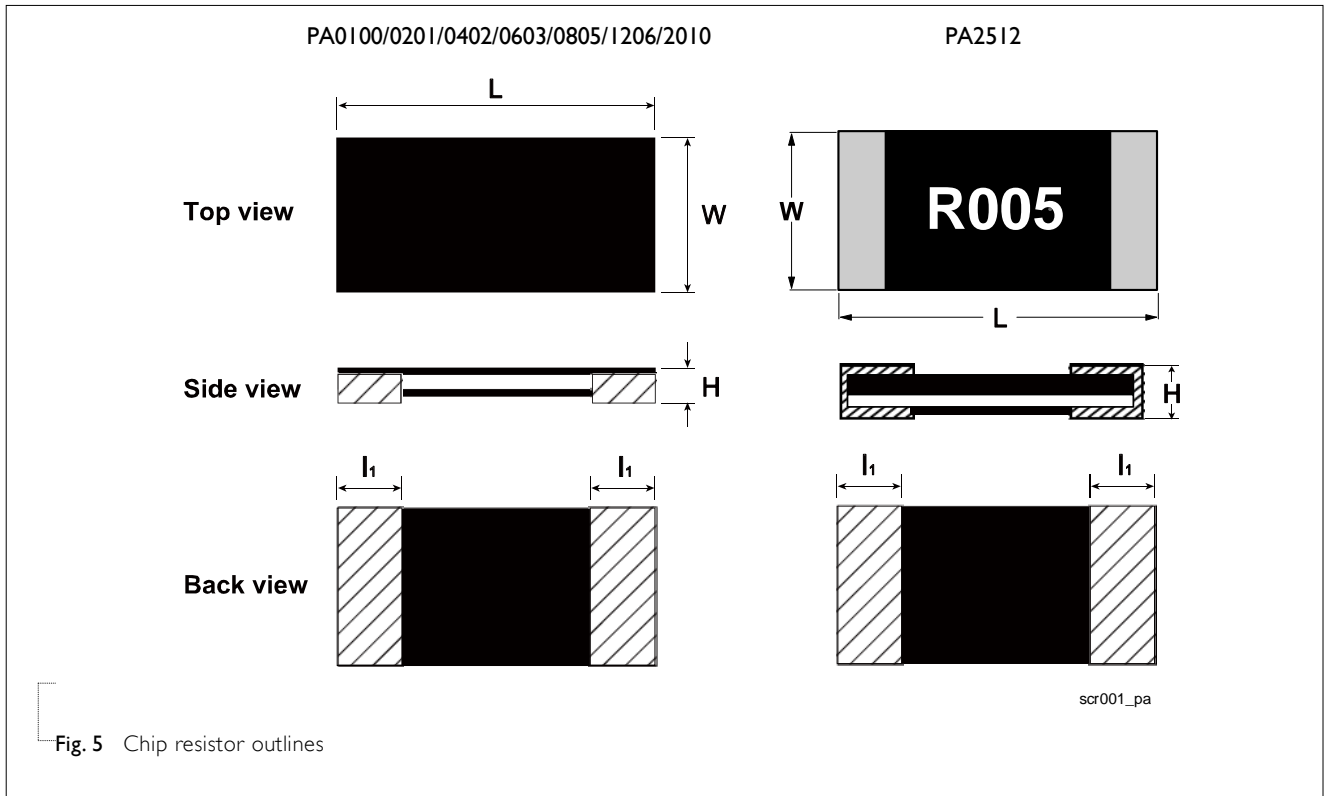
**CONSTRUCTION**

The resistors are constructed by using outstanding TCR level materials, which make Yageo PA resistors excellent for current sensing application in battery charger circuit & DC-DC converter.

The advanced resistive materials are adopted to get the precisely required resistance.

Finally, the three materials of external terminations (Cu / Ni / matte Tin) are added, as shown in Fig. 5.

**Outlines**



## DIMENSION

Table I For outlines, please refer to Fig. 5

TYPE	RESISTANCE RANGE	L (mm)	W (mm)	H (mm)	II (mm)
PA0100	$10\text{m}\Omega \leq R \leq 20\text{m}\Omega$	$0.40 \pm 0.03$	$0.20 \pm 0.03$	Max. 0.15	$0.10 \pm 0.03$
PA0201	$5\text{m}\Omega \leq R \leq 20\text{m}\Omega$	$0.60 \pm 0.03$	$0.31 \pm 0.04$	Max. 0.30	$0.15 \pm 0.06$
PA0402	$2\text{m}\Omega \leq R \leq 20\text{m}\Omega$	$1.00 \pm 0.10$	$0.55 \pm 0.10$	Max. 0.40	$0.25 \pm 0.10$
PA0603	$1\text{m}\Omega$	$1.60 \pm 0.20$	$0.80 \pm 0.20$	$0.55 \pm 0.15$	$0.38 \pm 0.12$
	$2\text{m}\Omega$	$1.60 \pm 0.20$	$0.80 \pm 0.20$	$0.45 \pm 0.15$	$0.38 \pm 0.12$
	$2.5\text{m}\Omega \leq R \leq 20\text{m}\Omega$	$1.60 \pm 0.20$	$0.80 \pm 0.20$	$0.30 \pm 0.15$	$0.38 \pm 0.12$
PA0805	$1\text{m}\Omega$	$2.03 \pm 0.20$	$1.27 \pm 0.20$	$0.55 \pm 0.15$	$0.60 \pm 0.15$
	$1.5/ 2\text{m}\Omega$	$2.03 \pm 0.20$	$1.27 \pm 0.20$	$0.45 \pm 0.15$	$0.50 \pm 0.15$
	$2.5\text{m}\Omega \leq R \leq 20\text{m}\Omega$	$2.03 \pm 0.20$	$1.27 \pm 0.20$	$0.30 \pm 0.15$	$0.35 \pm 0.20$
PA1206 (0L/WL/4L)	$1\text{m}\Omega$	$3.20 \pm 0.25$	$1.60 \pm 0.25$	$0.50 \pm 0.10$	$1.04 \pm 0.25$
	$2\text{m}\Omega$	$3.20 \pm 0.25$	$1.60 \pm 0.25$	$0.45 \pm 0.10$	$1.04 \pm 0.25$
PA1206 (07/7W/47)	$1\text{m}\Omega$	$3.20 \pm 0.25$	$1.60 \pm 0.25$	$0.65 \pm 0.25$	$0.51 \pm 0.25$
	$2\text{m}\Omega$	$3.20 \pm 0.25$	$1.60 \pm 0.25$	$0.55 \pm 0.25$	$0.60 \pm 0.25$
	$2.5/ 3\text{m}\Omega$	$3.20 \pm 0.25$	$1.60 \pm 0.25$	$0.40 \pm 0.25$	$0.80 \pm 0.30$
	$4\text{m}\Omega \leq R \leq 20\text{m}\Omega$	$3.20 \pm 0.25$	$1.60 \pm 0.25$	$0.40 \pm 0.25$	$0.60 \pm 0.30$
PA2010	$1\text{m}\Omega \leq R \leq 3\text{m}\Omega$	$5.08 \pm 0.25$	$2.54 \pm 0.25$	$0.50 \pm 0.25$	$1.40 \pm 0.25$
	$4\text{m}\Omega \leq R \leq 20\text{m}\Omega$	$5.08 \pm 0.25$	$2.54 \pm 0.25$	$0.40 \pm 0.25$	$0.70 \pm 0.25$
PA2512	$0.5\text{m}\Omega \leq R \leq 0.75\text{m}\Omega$	$6.35 \pm 0.25$	$3.18 \pm 0.25$	$0.40 \pm 0.25$	$2.72 \pm 0.25$
	$1\text{m}\Omega \leq R \leq 4\text{m}\Omega$	$6.35 \pm 0.25$	$3.18 \pm 0.25$	$0.40 \pm 0.25$	$2.21 \pm 0.25$
	$5\text{m}\Omega \leq R \leq 6\text{m}\Omega$	$6.35 \pm 0.25$	$3.18 \pm 0.25$	$0.40 \pm 0.25$	$1.19 \pm 0.25$
	$7\text{m}\Omega \leq R \leq 20\text{m}\Omega$	$6.35 \pm 0.25$	$3.18 \pm 0.25$	$0.40 \pm 0.25$	$0.76 \pm 0.25$

## Note:

1. For relevant physical dimensions, please refer to construction outlines.
2. Please contact with sales offices, distributors and representatives in your region before ordering.

**ELECTRICAL CHARACTERISTICS**

Table 2

SIZE	POWER RATING <sup>(4)</sup> @ 70°C						TOLERANCE <sup>(2)</sup>	RESISTANCE RANGE	TEMPERATURE COEFFICIENT OF RESISTANCE <sup>(3)</sup>
	07 0L <sup>(5)</sup>	7W WL <sup>(5)</sup>	7T	47 4L <sup>(5)</sup>	57	87			
0100	1/32W	1/16W	--	--	--	--	±1%(F) ±5%(J)	10mΩ ≤ R ≤ 20mΩ	±300 ppm/°C(I)
0201	1/20W	1/10W	3/20W	1/4W	--	--	±0.5%(D)	20mΩ	±150 ppm/°C(L)
							±1%(F) ±5%(J)	5mΩ ≤ R ≤ 20mΩ	
0402	1/16W	1/8W	1/6W	1/4W	1/3W	--	±0.5%(D)	15mΩ ≤ R ≤ 20mΩ	±150 ppm/°C(L)
							±1%(F) ±5%(J)	2mΩ ≤ R ≤ 20mΩ	
0603	1/10W	1/5W	1/3W	2/5W	1/2W	--	±0.5%(D)	10mΩ ≤ R ≤ 20mΩ	1mΩ ±200 ppm/°C(G) 2/2.5mΩ ±150 ppm/°C(L) 3mΩ ≤ R ≤ 20mΩ ±50 ppm/°C(E), ±75 ppm/°C(M)
							±1%(F) ±5%(J)	1mΩ ≤ R ≤ 20mΩ	
0805	1/8W	1/4W	--	1/2W	--	1W	±0.5%(D)	10mΩ ≤ R ≤ 20mΩ	1/1.5mΩ ±150 ppm/°C(L) 2mΩ ≤ R ≤ 20mΩ ±50 ppm/°C(E)
							±1%(F) ±5%(J)	1mΩ ≤ R ≤ 20mΩ	
1206 (0L/WL/4L)	1/4W	1/2W	--	1W	--	--	±1%(F) ±5%(J)	1m / 2mΩ	±50 ppm/°C(E)
1206 (07/7W/47)	1/4W	1/2W	--	1W	--	--	±0.5%(D)	5mΩ ≤ R ≤ 20mΩ	1/2mΩ ±100 ppm/°C(F) 3mΩ ≤ R ≤ 20mΩ ±50 ppm/°C(E)
							±1%(F) ±5%(J)	1mΩ ≤ R ≤ 20mΩ	
2010	1/2W	1W	3/2W	2W	--	--	±0.5%(D)	5mΩ ≤ R ≤ 20mΩ (2W: 5mΩ ≤ R ≤ 10mΩ)	±50 ppm/°C(E)
							±1%(F) ±5%(J)	1mΩ ≤ R ≤ 20mΩ (2W: 1mΩ ≤ R ≤ 10mΩ)	
2512	1W	2W	--	--	--	--	±0.5%(D)	(1W: 0.5mΩ ≤ R ≤ 20mΩ) (2W: 0.5mΩ ≤ R ≤ 5mΩ)	1mΩ ≤ R ≤ 20mΩ ±50 ppm/°C(E) 0.5mΩ ≤ R ≤ 0.75mΩ ±75 ppm/°C(M)
							±1%(F) ±5%(J)		

Note: 1. Please contact with sales offices, distributors and representatives in your region before ordering.

2. Global part number (code7)
3. Global part number (code9)
4. Global part number (code10-11)
5. 0L/WL/4L are only for PA1206 1m/2mΩ

**FUNCTIONAL DESCRIPTION**

**OPERATING TEMPERATURE RANGE**

PA0100 to PA0402 Range: -55°C to +125°C

PA0603/ 0805 Range: -55°C to +155°C

PA1206/ 2010/ 2512 Range: -55°C to +170°C

**POWER RATING**

Standard rated power at 70°C: For detail power value, please refer to Table 2.

**RATED VOLTAGE**

The DC or AC (rms) continuous working voltage corresponding to the rated power is determined by the following formula:

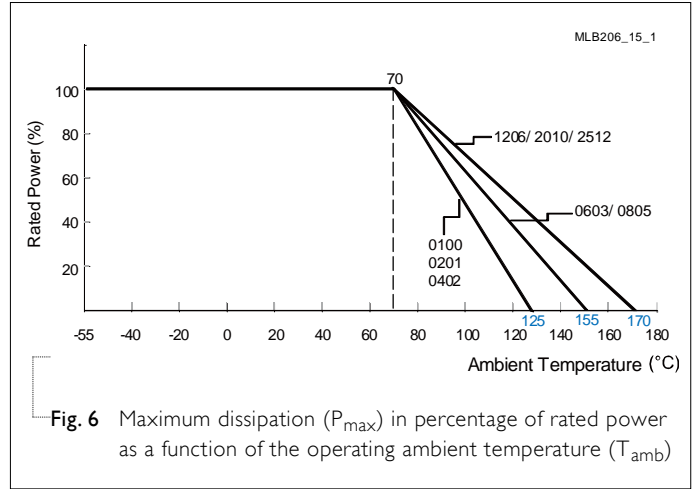
$$V = \sqrt{(P \times R)}$$

Where

V = Continuous rated DC or AC (rms) working voltage (V)

P = Rated power (W)

R = Resistance value ( $\Omega$ )

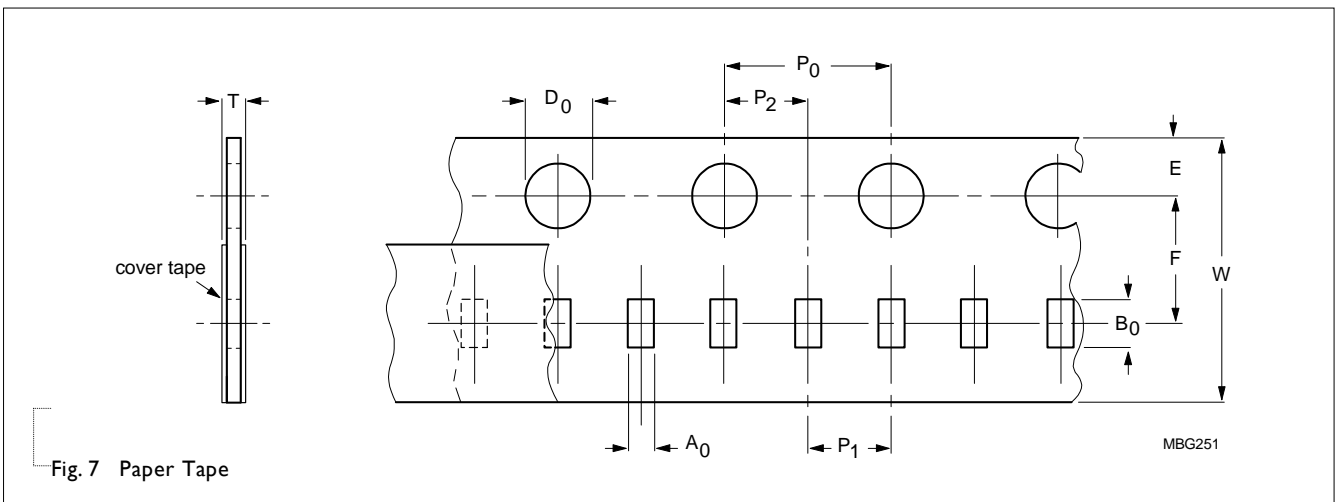


**PACKING STYLE AND PACKAGING QUANTITY**

Table 3 Packing style and packaging quantity

PACKING STYLE	REEL DIMENSION	PA0100	PA0201	PA0402	PA0603	PA0805	PA1206	PA2010	PA2512
Paper Taping Reel (R)	7" (178 mm)	20,000	10,000	10,000	5,000	5,000	4,000	-	-
Embossed Taping Reel (K)	7" (178 mm)	-	-	-	-	-	-	4,000	4,000

**PAPER TAPE**



**EMBOSSED TAPE**

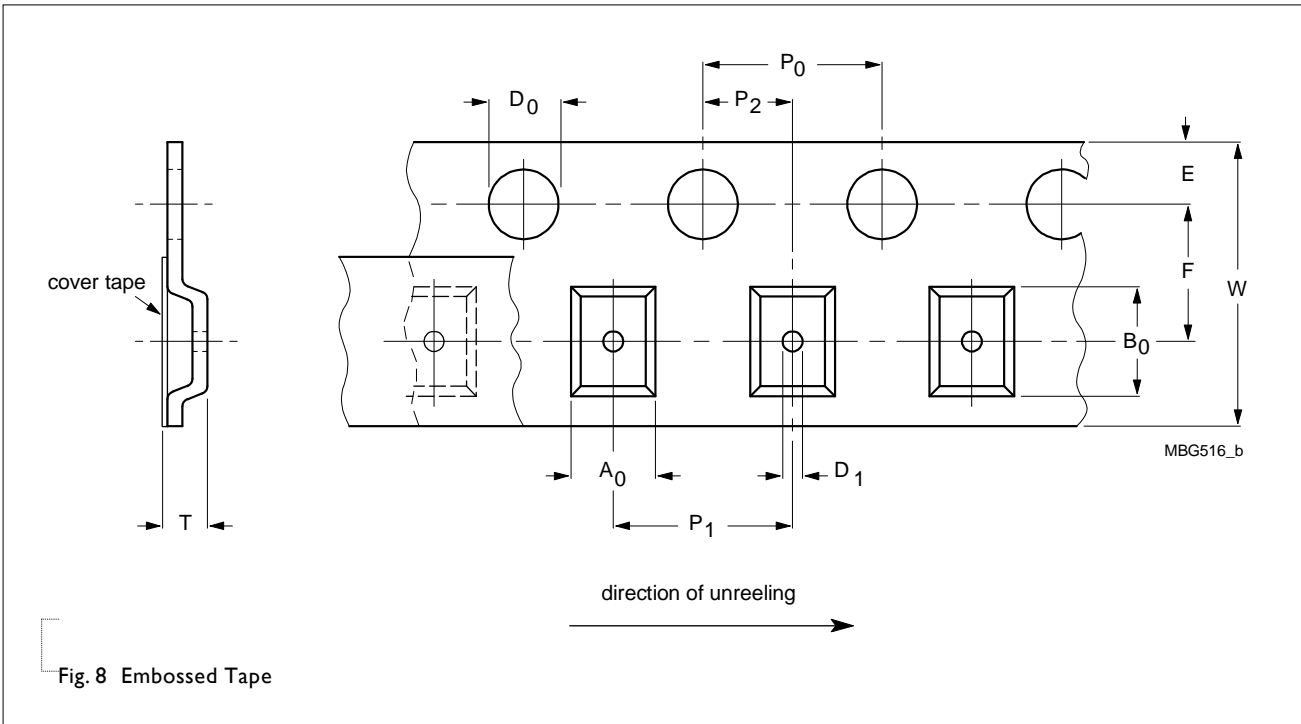


Fig. 8 Embossed Tape

Table 4 Dimensions of paper tape for relevant chip resistors size

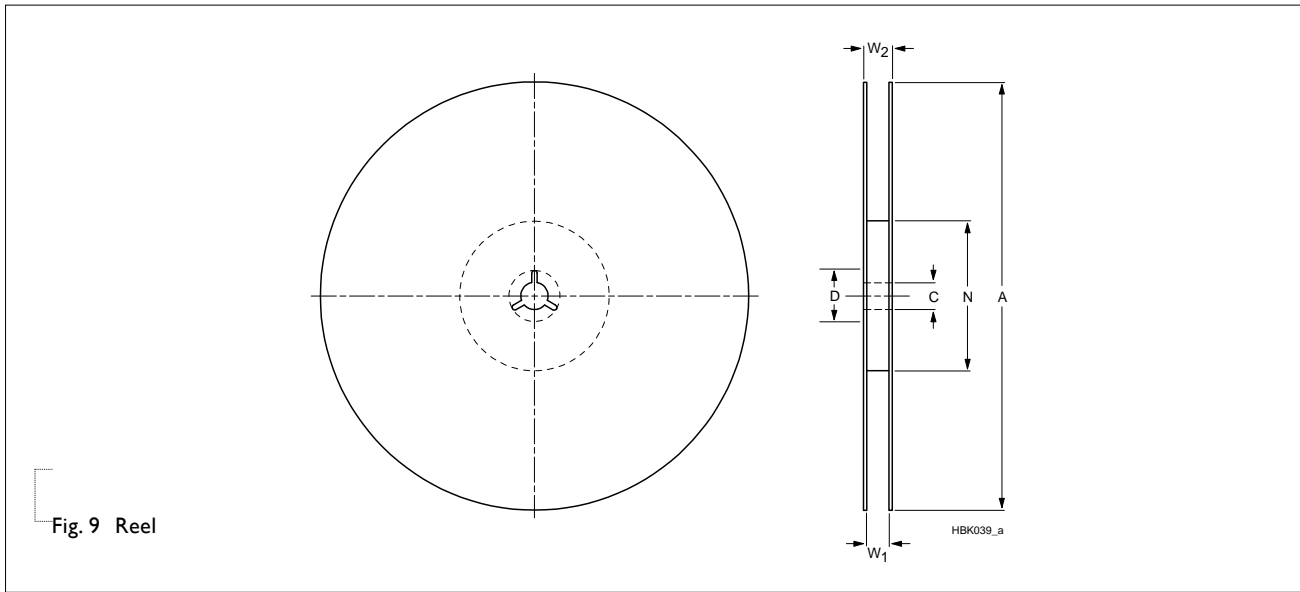
SIZE	SYMBOL										Unit: mm
	A <sub>0</sub>	B <sub>0</sub>	W	E	F	P <sub>0</sub>	P <sub>1</sub>	P <sub>2</sub>	ΦD <sub>0</sub>	T	
PA0100	0.24±0.03	0.45±0.03	8.00±0.20	1.75±0.10	3.50±0.05	4.00±0.05	2.00±0.10	2.00±0.05	1.50±0.10	0.31±0.10	
PA0201	0.39±0.10	0.70±0.10	8.00±0.30	1.75±0.10	3.50±0.10	4.00±0.10	2.00±0.10	2.00±0.10	1.55±0.05	0.43±0.10	
PA0402	0.59±0.10	1.10±0.10	8.00±0.30	1.75±0.10	3.50±0.10	4.00±0.10	2.00±0.10	2.00±0.10	1.55±0.05	0.53±0.10	
PA0603	1.08±0.10	1.90±0.10	8.00±0.30	1.75±0.10	3.50±0.10	4.00±0.10	4.00±0.10	2.00±0.10	1.55±0.05	0.60±0.10	
PA0805	1.60±0.10	2.35±0.10	8.00±0.30	1.75±0.10	3.50±0.10	4.00±0.10	4.00±0.10	2.00±0.10	1.55±0.05	0.60±0.10 <sup>(1)</sup>	
	1.60±0.10	2.35±0.10	8.00±0.30	1.75±0.10	3.50±0.10	4.00±0.10	4.00±0.10	2.00±0.10	1.55±0.05	0.53±0.10 <sup>(2)</sup>	
PA1206	1.90±0.10	3.50±0.10	8.00±0.30	1.75±0.10	3.50±0.10	4.00±0.10	4.00±0.10	2.00±0.10	1.55±0.05	0.85±0.15	

Note: 1.  $1\text{m}\Omega \leq R \leq 2\text{m}\Omega$  ( $T = 0.60 \pm 0.10\text{mm}$ )  
 2.  $2.5\text{m}\Omega \leq R \leq 20\text{m}\Omega$  ( $T = 0.53 \pm 0.10\text{mm}$ )

Table 5 Dimensions of embossed tape for relevant chip resistors size

SIZE	SYMBOL										Unit: mm
	A <sub>0</sub>	B <sub>0</sub>	W	E	F	P <sub>0</sub>	P <sub>1</sub>	P <sub>2</sub>	ΦD <sub>0</sub>	T	
PA2010	3.40±0.15	6.70±0.15	12.0±0.30	1.75±0.10	5.50±0.10	4.00±0.10	4.00±0.10	2.00±0.10	1.55±0.10	0.85±0.15	
PA2512	3.40±0.15	6.70±0.15	12.0±0.30	1.75±0.10	5.50±0.10	4.00±0.10	4.00±0.10	2.00±0.10	1.55±0.10	0.80±0.15	

**REEL SPECIFICATION**



**Table 6** Dimensions of reel specification for relevant chip resistors size

SIZE	QUANTITY PER REEL	REEL SIZE		SYMBOL				
		8mm TAPE WIDE	12mm TAPE WIDE	A	N	C	D	W <sub>1</sub>
PA0100	20,000	7" (Φ178mm)	-	180.0+0/-3.0	60.0+1/-0	13.00±0.2	21.0±0.8	9.0±0.3
PA0201	10,000	7" (Φ178mm)	-	178.0±1.0	60.0+1/-0	13.50±0.5	21.0±0.8	9.0±0.5
PA0402	10,000	7" (Φ178mm)	-	178.0±1.0	60.0+1/-0	13.50±0.5	21.0±0.8	9.0±0.5
PA0603	5,000	7" (Φ178mm)	-	178.0±1.0	60.0+1/-0	13.50±0.5	21.0±0.8	9.0±0.5
PA0805	5,000	7" (Φ178mm)	-	178.0±1.0	60.0+1/-0	13.50±0.5	21.0±0.8	9.0±0.5
PA1206	4,000	7" (Φ178mm)	-	178.0±1.0	60.0+1/-0	13.50±0.5	21.0±0.8	9.0±0.5
PA2010	4,000	-	7" (Φ178mm)	178.0±1.0	60.0+1/-0	13.50±0.5	21.0±0.8	13.6±0.5
PA2512	4,000	-	7" (Φ178mm)	178.0±1.0	60.0+1/-0	13.50±0.5	21.0±0.8	13.6±0.5



**LEADER/TRAILER TAPE SPECIFICATION**

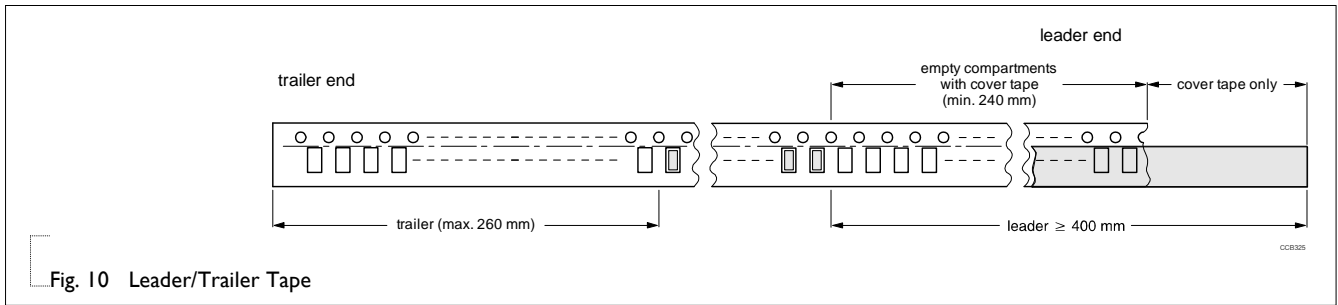


Fig. 10 Leader/Trailer Tape

**FOOTPRINT AND SOLDERING PROFILES**

For recommended soldering profiles, please refer to data sheet “Chip resistors mounting”.

**FOOTPRINT**

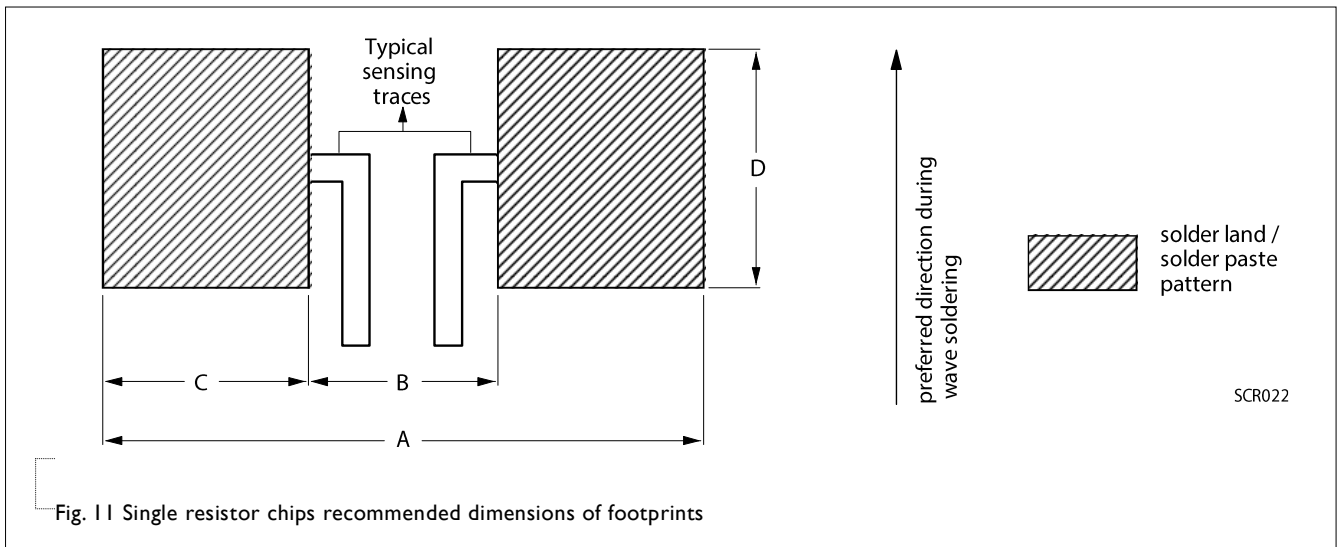


Fig. 11 Single resistor chips recommended dimensions of footprints

Table 7 Footprint dimensions

Unit: mm

TYPE	RESISTANCE RANGE	A	B	C	D
PA0100	$10\text{m}\Omega \leq R \leq 20\text{m}\Omega$	0.5~0.8	0.16~0.2	0.17~0.3	0.2~0.4
PA0201	$5\text{m}\Omega \leq R \leq 20\text{m}\Omega$	1.00	0.30	0.35	0.40
PA0402	$2\text{m}\Omega \leq R \leq 20\text{m}\Omega$	2.00	0.40	0.80	0.60
PA0603	$1\text{m}\Omega$	2.20	0.80	0.70	0.90
	$1\text{m}\Omega < R \leq 20\text{m}\Omega$	2.20	0.80	0.70	0.90
PA0805	$1\text{m}\Omega$	4.10	0.50	1.80	1.44
	$1.5\text{m}\Omega \leq R \leq 20\text{m}\Omega$	4.60	1.00	1.80	1.44
PA1206 (0L/WL/4L)	$1\text{m}\Omega / 2\text{m}\Omega$	3.90	0.90	1.50	1.78
	$1\text{m}\Omega / 2\text{m}\Omega$	4.20	1.00	1.60	1.84
PA1206 (07/7W/47)	$2.5\text{m}\Omega / 3\text{m}\Omega$	4.80	1.00	1.90	1.84
	$4\text{m}\Omega \leq R \leq 20\text{m}\Omega$	4.80	1.20	1.80	1.84
PA2010	$1\text{m}\Omega \leq R \leq 3\text{m}\Omega$	6.00	1.60	2.30	3.00
	$4\text{m}\Omega \leq R \leq 20\text{m}\Omega$	6.00	3.50	1.25	3.00
PA2512	$0.5\text{m}\Omega \leq R \leq 1\text{m}\Omega$	7.36	0.50	3.43	3.68
	$1\text{m}\Omega \leq R \leq 4\text{m}\Omega$	7.37	1.27	3.05	3.68
	$5\text{m}\Omega \leq R \leq 6\text{m}\Omega$	7.40	3.18	2.11	3.68
	$7\text{m}\Omega \leq R \leq 20\text{m}\Omega$	7.36	4.06	1.65	3.68

## TESTS AND REQUIREMENTS

Table 8 Test condition, procedure and requirements

TEST	TEST METHOD	PROCEDURE	REQUIREMENT
Short time overload	IEC60115-1 4.13	5 times of rated power for 5 seconds at room temperature	0100 : $\pm(2.0\%+0.0005\Omega)$ 0201~2010 : $\pm(1.0\%+0.0005\Omega)$ 2512 : $\pm(0.5\%+0.0005\Omega)$ No visible damage
High Temperature Exposure/ Endurance at Upper Category Temperature	MIL-STD-202G-Method 108	1,000 hours at maximum operating temperature depending on specification, unpowered  No direct impingement of forced air to the parts Tolerances: 0100/0201/0402: $125\pm 3^{\circ}\text{C}$ 0603/0805: $155\pm 3^{\circ}\text{C}$ 1206/2010/2512: $170\pm 3^{\circ}\text{C}$	0100 : $\pm(3.0\%+0.0005\Omega)$ Others : $\pm(1.0\%+0.0005\Omega)$
Temperature Cycling	JESD22-A104	1,000 cycles, $-55/+125^{\circ}\text{C}$ for 1 cycle per hour	Others : $\pm(1.0\%+0.0005\Omega)$ 2512 : $\pm(0.5\%+0.0005\Omega)$
Moisture Resistance	MIL-STD-202G-Method 106	Each temperature / humidity cycle is defined at 8 hours (method 106F), 3 cycles / 24 hours for 10d with $25^{\circ}\text{C} / 65^{\circ}\text{C}$ 95% R.H, without steps 7a & 7b, unpowered	0100 : $\pm(3.0\%+0.0005\Omega)$ Others : $\pm(0.5\%+0.0005\Omega)$
Biased Humidity	MIL-STD-202 Method 103	1,000 hours; $85^{\circ}\text{C} / 85\% \text{RH}$ 10% of operating power	0100 : $\pm(3.0\%+0.0005\Omega)$ 0201~2010 : $\pm(1.0\%+0.0005\Omega)$ 2512 : $\pm(0.5\%+0.0005\Omega)$
Operational Life/ Endurance	MIL-STD-202G-Method 108 IEC 60115-1 4.25.1	1,000 hours at $125\pm 3^{\circ}\text{C}$ , de-rated power applied for 1.5 hours on, 0.5 hour off, still-air required  1,000 hours at $70\pm 2^{\circ}\text{C}$ applied rated power 1.5 hours on, 0.5 hour off, still air required	0100 : $\pm(3.0\%+0.0005\Omega)$ others : $\pm(1.0\%+0.0005\Omega)$
Resistance to Solvents	MIL-STD-202 Method 215	Immerse in isopropyl alcohol for 5 min with ultrasonic at room temperature	No visible damage
Mechanical Shock	MIL-STD-202 Method 213	Three shocks in each direction shall be applied along the three mutually perpendicular axes of the test specimen. Peak value: 100 g's Duration: 6 ms Velocity change: 12.3 ft/s Waveform: Half sine	0100 : $\pm(1.0\%+0.0005\Omega)$ Others : $\pm(0.5\%+0.0005\Omega)$
Vibration	MIL-STD-202 Method 204	5 g's for 20 min., 12 cycles each of 3 orientations Test from 10-2000 Hz.	0100 : $\pm(1.0\%+0.0005\Omega)$ Others : $\pm(0.5\%+0.0005\Omega)$
Resistance to Soldering Heat	MIL-STD-202G-method 210	Condition B, no pre-heat of samples Leadfree solder, $260^{\circ}\text{C}$ , 10 seconds immersion time Procedure 2 for SMD: devices fluxed and cleaned with isopropanol	0100 : $\pm(1.0\%+0.0005\Omega)$ Others : $\pm(0.5\%+0.0005\Omega)$ No visible damage

TEST	TEST METHOD	PROCEDURE	REQUIREMENT
Thermal Shock	MIL-STD-202 Method 107	-55/+125°C, Number of cycles is 300. Maximum transfer time is 20 seconds. Dwell time is 15 minutes. Air -Air	Others :±(1.0%+0.0005Ω) 2512 : ± (0.5%+0.0005Ω) No visible damage
Electrostatic Discharge	AEC-Q200-002	Human Body Model, 1 pos + 1 neg. 0805/ 1206/ 2010/ 2512 : 2KV 0402/ 0603 : 1KV 0100/ 0201: 500V	±(1.0%+0.0005Ω) No visible damage
Solderability - Wetting	J-STD-002	0201 to 2512 : (a) Method B, aging 4 hours at 155°C dry heat, dipping at 235±3°C for 5±0.5 seconds. (b) Method B, steam aging 8 hours, dipping at 215±3°C for 5±0.5 seconds. (c) Method D, steam aging 8 hours, dipping at 260±3 °C for 30±0.5 seconds.  0100 : 1st step: Method B, aging 4 hours at 155°C dry heat. 2nd step: Lead-free solder bath at 245±3°C, dipping at 245±3°C for 3±0.5 seconds	Well tinned (>95% covered) No visible damage
Flammability	UL94	Try to inflame a specimen by a needle flame	No ignition of specimen;V-0
Board Flex / Bending	AEC-Q200-005	Chips mounted on a 90mm glass epoxy resin PCB (FR4), Bending for 0100: 5mm 0201: 3mm 0402 and above: 2mm Holding time: Min.60 seconds	±(1.0%+0.0005Ω)
Terminal Strength (SMD)	AEC-Q200-006	Applied 0100: 1N 0201: 3N 0402: 5N 0603/0805/1206/2010/2512: 17.7N for 60±1 seconds.	±(1.0%+0.0005Ω) No visible damage
Flame Retardance	AEC-Q200-001	Apply voltage to increase the surface temp to 350 °C	No flame, no explosion
Temperature Coefficient of Resistance (T.C.R.)	IEC 60115-1 4.8	0100~2010 at +25/+125 °C 2512 at +25/+150°C Formula: $T.C.R = \frac{R_2 - R_1}{R_1(t_2 - t_1)} \times 10^6 \text{ (ppm/°C)}$ Where t1 =+25 °C or specified room temperature 0100~2010: t2 =+125 °C test temperature 2512 : t2 =+150°C test temperature R1=resistance at reference temperature in ohms R2=resistance at test temperature in ohms	Refer to table 2

REVISION HISTORY

REVISION	DATE	CHANGE NOTIFICATION	DESCRIPTION
Version 2	Aug. 06, 2021	-	- Add size of PA2512 and PA1206(0L/WL/4L)
Version 1	Jun. 10, 2021	-	- Add size of PA0100 and tol. $\pm 0.5\%$ for 0201/0402/0603/2010
Version 0	May. 07, 2020	-	- New datasheet for automotive grade current sensor – PA0201/0402/0603/0805/1206/2010 series.

# Mouser Electronics

Authorized Distributor

Click to View Pricing, Inventory, Delivery & Lifecycle Information:

## Pulse:

[PA1137NLT](#) [PA1138NLT](#) [PA2467NL](#) [PA2431NL](#) [PA3342NL](#) [PA2369NL](#) [PA2369NLT](#) [PA2466NL](#) [PA2467NLT](#)  
[PA4065NLT](#)

## YAGEO:

[PA2512JKF7W0R005E](#) [PA2512JKF7W0R001E](#) [PA2512JKF7W0R003E](#) [PA2512JKF7W0R002E](#)  
[PA2512JKF7W0R004E](#) [PA2512JKF7T0R004E](#) [PA2512JKF070R003E](#) [PA2512JKF7T0R002E](#) [PA2512JKF7T0R005E](#)  
[PA2512JKF070R004E](#) [PA2512JKF7T0R001E](#) [PA2512JKF7T0R003E](#) [PA2512FKF7W0R004E](#)  
[PA2512FKF7T0R001E](#) [PA2512FKF7T0R002E](#) [PA2512FKF7T0R003E](#) [PA2512FKF7T0R004E](#) [PA2512FKF7T0R005E](#)  
[PA2512JKF070R002E](#) [PA2512FKF070R001E](#) [PA2512FKF070R002E](#) [PA2512FKF070R003E](#)  
[PA2512FKF070R004E](#) [PA2512FKF070R005E](#) [PA2512FKF7W0R001E](#) [PA2512FKF7W0R002E](#)  
[PA2512FKF7W0R003E](#) [PA2512FKF7W0R005E](#) [PA2512JKF070R001E](#) [PA2512JKF070R005E](#) [PA2512FKF070R003L](#)  
[PA2512FKF7W0R005L](#) [PA2512FKF070R005L](#) [PA2512FKF7W0R004L](#) [PA2512FKF7W0R007E](#)  
[PA2512FKF070R007E](#) [PA2512FKF070R004L](#) [PA2512FKF070R001L](#) [PA2512FKF070R002L](#) [PA2512FKF7W0R001L](#)  
[PA1206FRM7W0R01L](#) [PA2512FKF7W0R002L](#) [PA2512FKF7W0R006E](#) [PA2512FKF7W0R01E](#)  
[PA2512FKF7W0R05E](#) [PA2512FKF070R01E](#) [PA2512FKF7T0R01E](#) [PA1206FRM070R002L](#) [PA0402-R-070RL](#)  
[PA1206FRF470R001L](#) [PA1206FRF070R005L](#) [PA1206FRF070R003L](#) [PA0603-R-070RL](#) [PA0201-R-070RL](#) [PA0805-](#)  
[R-470RL](#) [PA1206FRF470R003L](#) [PA1206FRF470R005L](#) [PA2512FKE7W0R005E](#) [PA2512FKF7T0U5E](#)  
[PA2512FKE7W0R01E](#) [PA2512FKF7W0R01L](#) [PA2512FKM7W0R001E](#) [PA2512FKM7W0R002E](#)  
[PA2512FKM7W0R005E](#) [PA2512FKM070R1E](#) [PA2512FKM070R01E](#) [PA2512FKE7T0R015E](#) [PA2512FKE7W0R007E](#)  
[PA2512FKM7W0R02E](#) [PA2512FKE7W0R002E](#) [PA1206FRM070R02L](#) [PA2512FKE7W0R001E](#)  
[PA2512FKE7T0R004E](#) [PA0402FRL7T0R02L](#) [PA1206FRF070R002L](#) [PA1206FRF7W0R005L](#) [PS0306FRF7T0R01L](#)  
[PE1206FRM7W0R1L](#) [PE1206FRM7W0R07L](#) [PA2512FKF7W0R008E](#) [PA2512FKF7W0R02E](#) [PA2512FKF7W0U5E](#)  
[PA2512FKF7T0R02E](#) [PA0805FRE470R002L](#) [PA1206FRE470R01L](#) [PA1206FRF470R002L](#) [PA1206FRF470R015L](#)  
[PA1206FRF470R02L](#) [PA1206FRF7W0R001L](#) [PA0402FRL7W0R015L](#) [PA0402FRL7W0R005L](#) [PA0402FRL7W0R01L](#)  
[PA0603FRE570R005L](#) [PA0805FRE470R01L](#) [PA0805FRE470R005L](#) [PA0805JR-470RL](#) [PA1206FRF7W0R002L](#)  
[PA2512FKF070U5E](#) [PA2512FKF7W0R015E](#) [PA2512FKM7W0R003E](#)