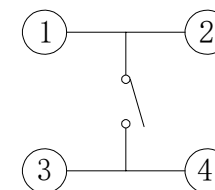
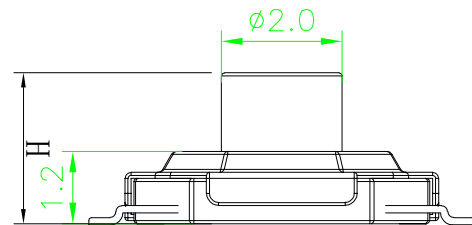
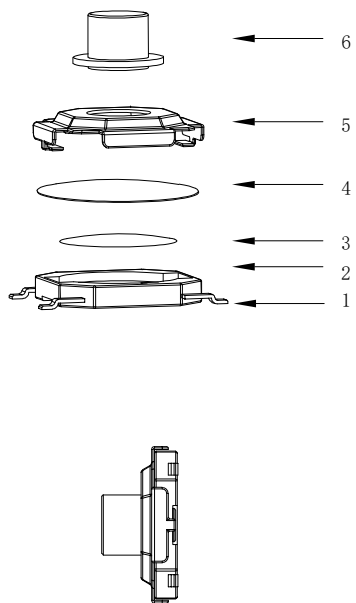


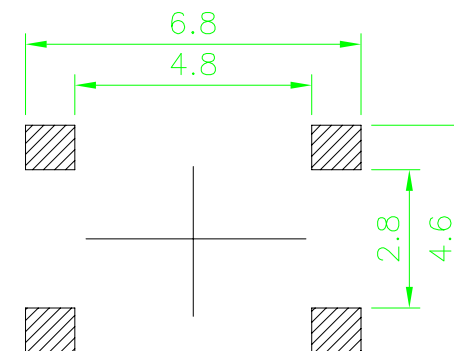
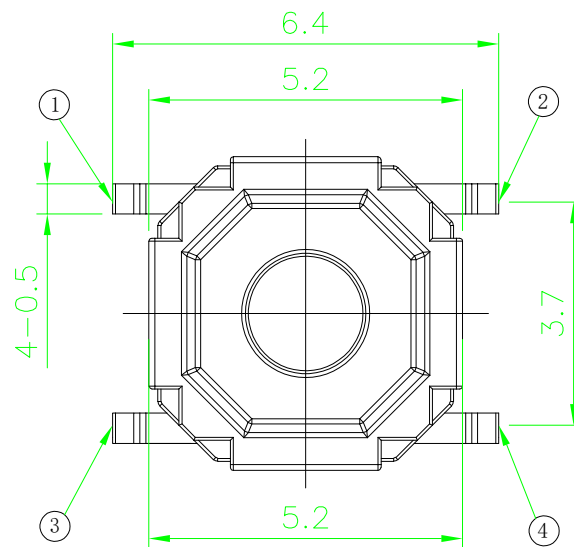
RoHS

CAD GENERATED DRAWING. DON'T CHANGE BY HAND.

| REV. | ECN. NO. | APPD. |
|------|----------|-------|
|      |          |       |



CIRCUIT DIAGRAM



PCB. WELDING DRAWING

Specification

|                       |                     |
|-----------------------|---------------------|
| Operating Life        | 200,000             |
| Contact rating        | 50mA@12V DC.        |
| Insulation resistance | 1000Ω min.          |
| Contact resistance    | 100mΩ max. initial. |
| Dielectric Strength   | 250 V AC(1mm)       |
| Travel                | 0.2±0.15mm          |
| Storage Temperature   | -30° C to 85° C     |

Mechanical

| ITEM | DESCRIPTION | MATERIAL        | QTY | FINISH/CO-LOR |
|------|-------------|-----------------|-----|---------------|
| E    | Button      | Brass           | 1   | Pickling      |
| D    | COVER       | Stainless Steel | 1   | Cleaning      |
| C    | DOME        | Stainless Steel | 1   | Plated Ag     |
| B    | HOUSING     | PPA             | 1   | Black         |
| A    | PIN         | PHOSPHOR BRONZE | 1   | Plated Ag     |

| Type     | Operating Force(gf)                  | Height mm | Button | Leads Shape (G, J, T) | Ground pin (0, 1) | Pegs Option (0, 1) |
|----------|--------------------------------------|-----------|--------|-----------------------|-------------------|--------------------|
| YTS1H005 | 350±50<br>250±50<br>160±50<br>100±30 | M         | 5.0    | M (Brass) P (Plastic) | G                 | 0                  |
|          |                                      | L         | 4.5    |                       |                   |                    |
|          |                                      | K         | 4.3    |                       |                   |                    |
|          |                                      | J         | 4.0    |                       |                   |                    |
|          |                                      | H         | 3.5    |                       |                   |                    |
|          |                                      | G         | 3.0    |                       |                   |                    |
|          |                                      | F         | 2.5    |                       |                   |                    |
|          |                                      | E         | 2.3    |                       |                   |                    |
|          |                                      | D         | 2.0    |                       |                   |                    |
|          |                                      | C         | 1.7    |                       |                   |                    |
| B        | 1.6                                  |           |        |                       |                   |                    |
| A        | 1.5                                  |           |        |                       |                   |                    |

| X. ±0.50   | X.° ±2°    | UNITS<br>mm                      | <b>深圳市怡远科技有限公司</b><br>SHENZHEN YIYUAN TECHNOLOGY CO., LTD   |       |       |      |     |     |    |
|--|------------|----------------------------------|---|-------|-------|------|-----|-----|----|
| .X ±0.30   | .X° ±1°    |                                  |   |       |       |      |     |     |    |
| .XX ±0.10  | .XX° ±0.5° | MAT'L                            | PART NO.<br>YTS1H005  |       |       |      |     |     |    |
| .XXX ±0.05   |            | FINISH                           | TITLE:<br>TACTILE SWITCH 5.2x5.2  |       |       |      |     |     |    |
| THESE DRAWINGS AND SPECIFICATIONS ARE THE PROPERTY OF YIYUAN TECHNOLOGY CO.,LTD AND SHALL NOT BE REPRODUCED, COPIED OR USED IN ANY MANNER WITHOUT THE PRIOR WRITTEN CONSENT OF YIYUAN TECHNOLOGY CO.,LTD |            | Q'TY                             | APPD: ROGER   |       |       |      |     |     |    |
|  |            |                                  | CHKD: ROC   |       |       |      |     |     |    |
|  |            | DR: <b>BILLY WANG 2020/08/21</b> | DWG NO. :<br>YTS1H005   |       |       |      |     |     |    |
|  |            |                                  | <table border="1"> <tr> <th>SCALE</th> <th>SHEET</th> <th>REV.</th> </tr> <tr> <td>1/1</td> <td>1/1</td> <td>A1</td> </tr> </table> | SCALE | SHEET | REV. | 1/1 | 1/1 | A1 |
| SCALE  | SHEET      | REV.                             |   |       |       |      |     |     |    |
| 1/1  | 1/1        | A1                               |   |       |       |      |     |     |    |