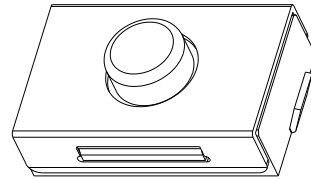
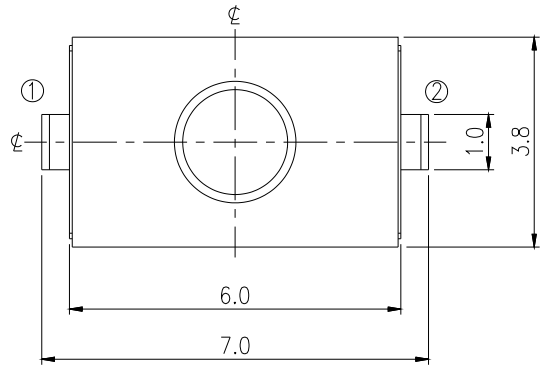


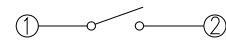
RoHS

CAD GENERATED DRAWING. DON'T CHANGE BY HAND.

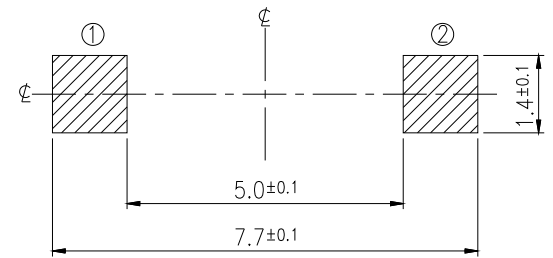
REV.	ECN. NO.	APPD.



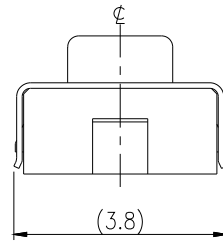
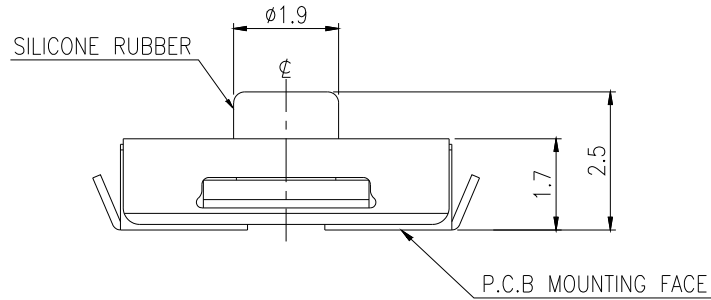
SCHMATIC



P.C.B. LAYOUT



HATCHED AREA SHOWS SOLDERING LAND



Operating Life	100,000	6	TAPE	1	POLYIMIDE	
Contact rating	50mA@32V DC.	5	CONTACT PLATE	1	STAINLESS STEEL PLATE	Ag PLATING
D Insulation resistance	DC100V-1000MΩ MIN	4	TERMINAL	2	COPPER ALLOY	Ag PLATING OVER NI PLATING
Contact resistance	100mΩ max. initial.	3	FRAME	1	POLYAMIDE RESIN	BLACK COLOR
Dielectric Strength	250 V AC(1mm)	2	STEM	1	SIUCON RUBBER	260: NATURAL
Travel	0.35±0.1mm	1	COVER	1	STAINLESS STEEL PLATE	
Waterproof Grade	IP67	NO.	PART NAME	QTY	MATERIAL	SPECIFICATION

MODEL NO.	OPERATING FORCE	STROKE
YTS2193GU	300±75gf	0.35±0.15

X. ±0.50	X.° ± 2°	UNITS mm	yi YUAN 深圳市怡远科技有限公司 SHENZHEN YIYUAN TECHNOLOGY CO.,LTD	
.X ±0.30	.X° ± 1°			
.XX ±0.10	.XX° ± 0.5°	MAT'L	PART NO. YTS2193GU	TITLE: TACTILE SWITCH
.XXX ± 0.05			APPD: ROGER	DWG NO.: YTS2193GU
THESE DRAWINGS AND SPECIFICATIONS ARE THE PROPERTY OF YIYUAN TECHNOLOGY CO.,LTD AND SHALL NOT BE REPRODUCED, COPIED OR USED IN ANY MANNER WITHOUT THE PRIOR WRITTEN CONSENT OF YIYUAN TECHNOLOGY CO.,LTD		FINISH	CHKD: ROC	SCALE SHEET REV. 1/1 1/1 A1
		Q'TY	DR: BILLY WANG 2020/08/21	