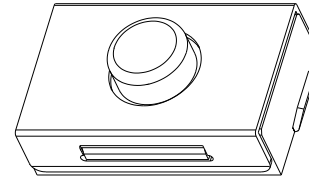
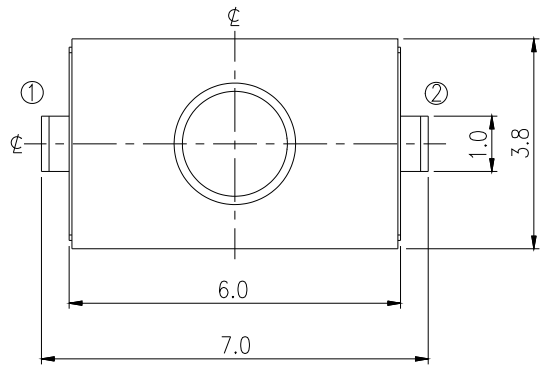


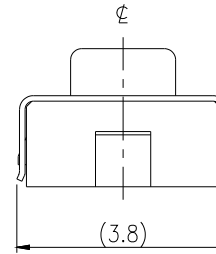
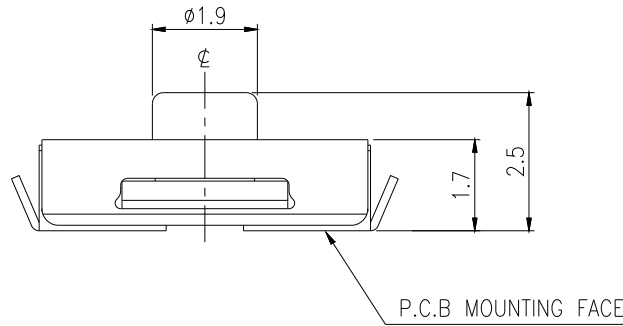
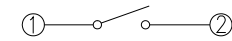
RoHS

CAD GENERATED DRAWING. DON'T CHANGE BY HAND.

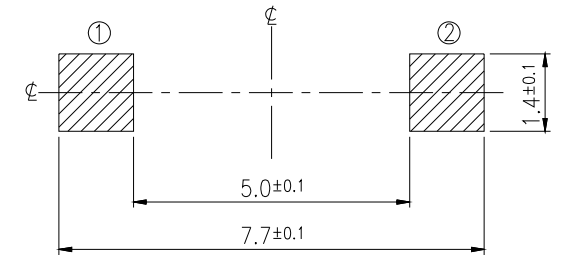
REV.	ECN. NO.	APPD.



SCHEMATIC



P.C.B. LAYOUT



MODEL NO.	OPERATING FORCE
YTS2192G	260±70gf

Operating Life	100,000	6	TAPE	1	POLYIMIDE	
Contact rating	50mA@32V DC.	5	CONTACT PLATE	2	STAINLESS STEEL PLATE	Ag PLATING
D Insulation resistance	DC100V-1000MΩ MIN	4	TERMINAL	2	COPPER ALLOY	Ag PLATING OVER NI PLATING
Contact resistance	100mΩ max. initial.	3	FRAME	1	POLYAMIDE RESIN	BLACK COLOR
Dielectric Strength	250 V AC(1mm)	2	STEM	1	LIQUID CRYSTAL POLYMER	WHITE
Travel	0.15±0.1mm	1	COVER	1	STAINLESS STEEL PLATE	
Waterproof Grade	IP67	NO.	PART NAME	QTY	MATERIAL	SPECIFICATION

X. ±0.50	X° ±2°	UNITS mm	深圳市怡远科技有限公司 SHENZHEN YIYUAN TECHNOLOGY CO.,LTD	
.X ±0.30	.X° ±1°			
.XX ±0.10	.XX° ±0.5°	MAT'L	PART NO. YTS2192G	
.XXX ±0.05		FINISH	TITLE: TACTILE SWITCH	
THESE DRAWINGS AND SPECIFICATIONS ARE THE PROPERTY OF YIYUAN TECHNOLOGY CO.,LTD AND SHALL NOT BE REPRODUCED, COPIED OR USED IN ANY MANNER WITHOUT THE PRIOR WRITTEN CONSENT OF YIYUAN TECHNOLOGY CO.,LTD		Q'TY	APPD: ROGER	DWG NO.: YTS2192G
			CHKD: RDC	
		DR: BILLY WANG 2020/08/21		SCALE SHEET REV. 1/1 1/1 A1