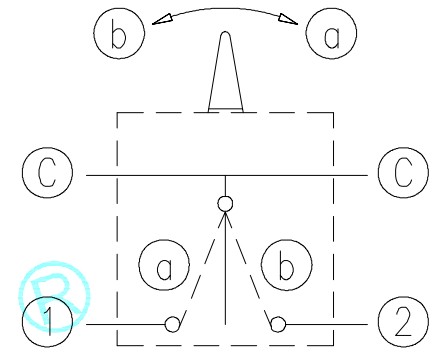
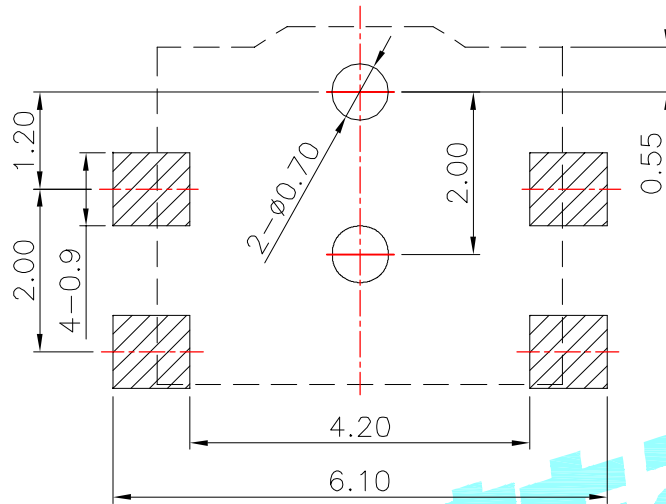
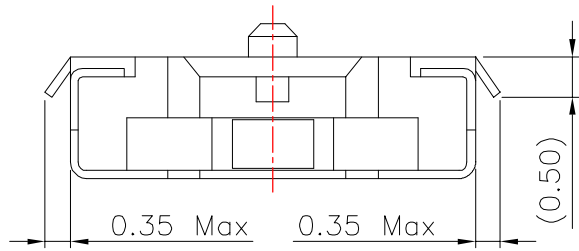
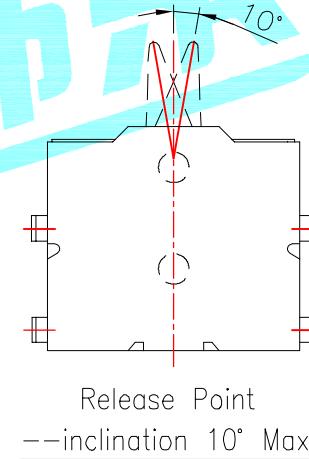
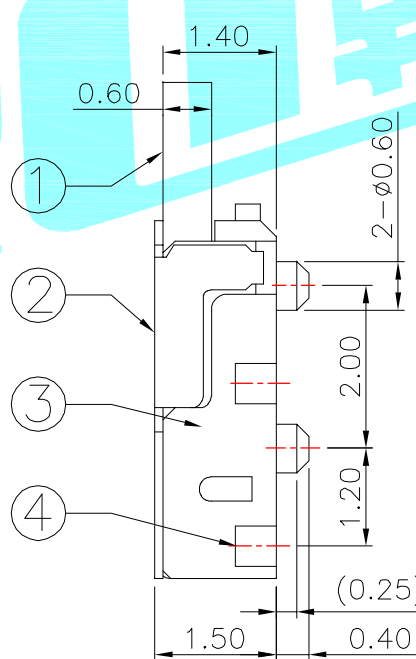
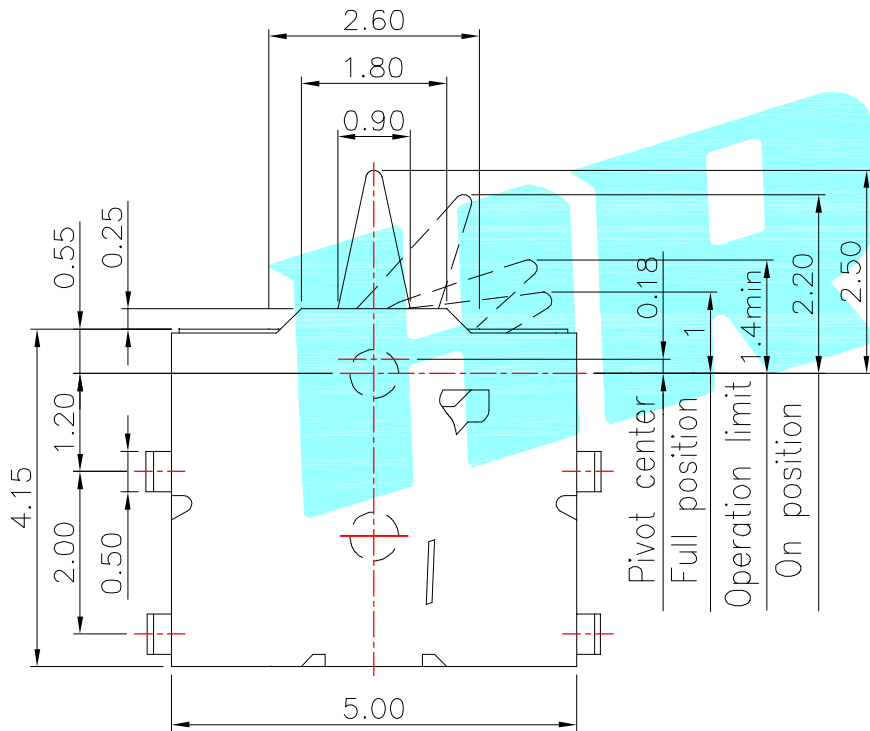


ROHS



Circuit Diagram

Recommended PWB piercing plan
(Pitch tolerance ± 0.05)



Release Point
--inclination 10° Max.

NOTE:
Rating: DC 12V 0.1A
Operating Force: 20 ± 10 gf
Lifetime: 100,000 Cycles

PART NO.	K5-1652UA-01
PART NO.	K5-1652UN-01

⑤	Contact Spring	—	1	Phosphor Bronze	Ag Plated	—
④	Terminal	—	4	Phosphor Bronze	Ag Plated	—
③	Base	—	1	LCP	Black	—
②	Cover	—	1	SUS	Natural	—
①	Slider	—	1	PA46	Black	—
ITEM	PART NAME	TER'NO.	QTY.	MATERIAL	FINISHING	REMARK

APPROVALS		DATE		 ELECTRONICS CO.,LTD		
DRAWN	J.X.Zhang	2013/9/17				
CHECKED				TITLE: DETECTOR SWITCHES		
APPROVALS				PART NO.		
TOLERANCES ARE		30~以上	±0.30	ANGLE	UNIT: mm	SCALE: 1:1
		10~30	±0.20			
		5~10	±0.15			
		~ 5	±0.10			
		±2'	DRAWING NO.		SHEET 1 OF 1	

ECN NO.	REV.	DATE.	DESCRIPTION.	CHANGE.	CHECK.	APPRO.
—	A	—	NEW	—	—	—