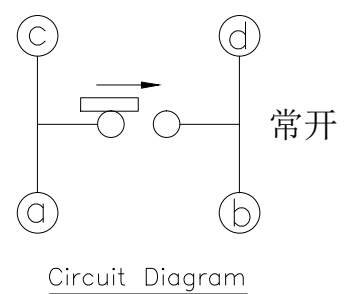
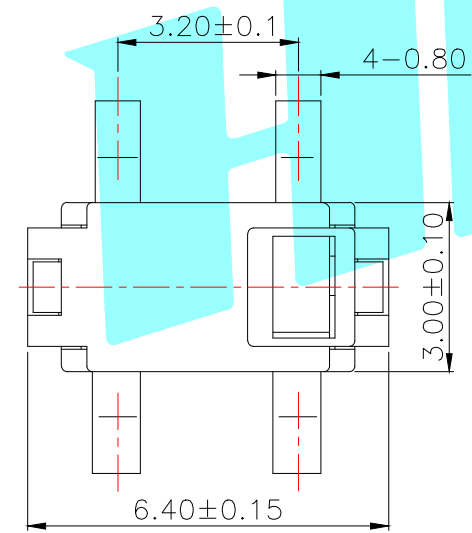
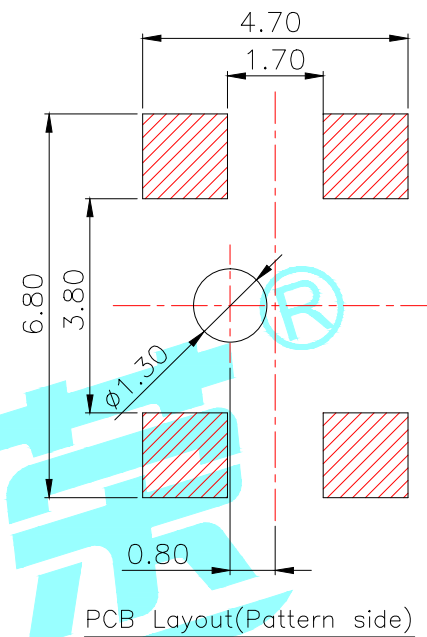
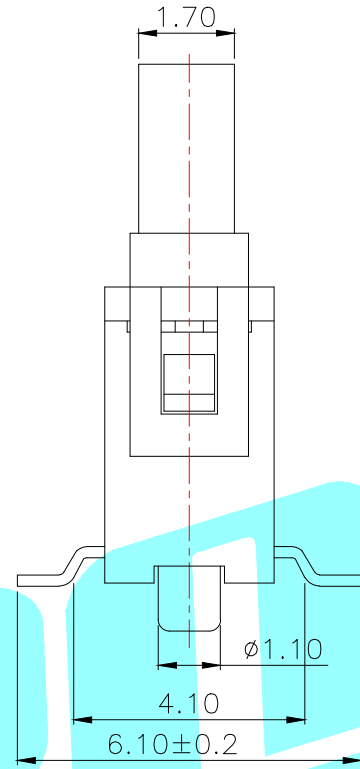
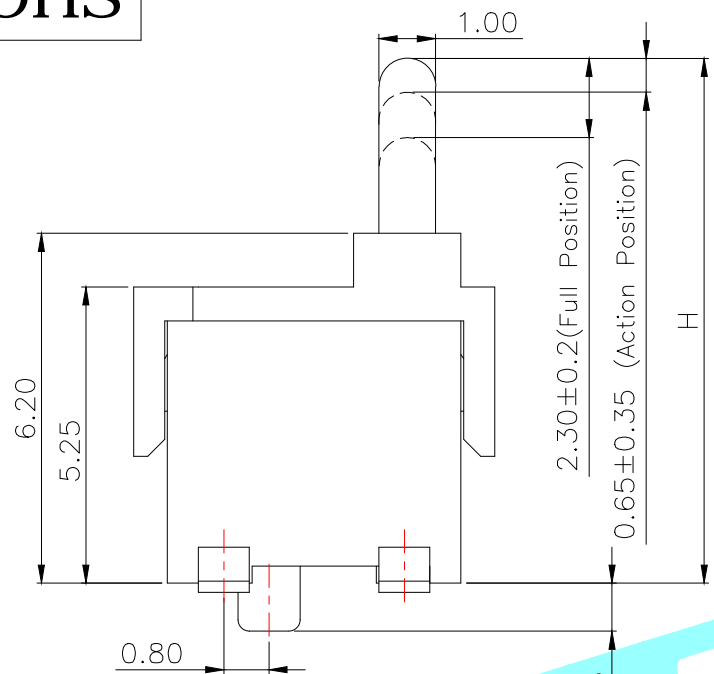


ROHS



PART NO.	H
K5-1130SA-K1	8.7
K5-1130SA-K2	9.0
K5-1130SA-K3	9.3
K5-1130SA-K4	10
K5-1130SA-K5	11

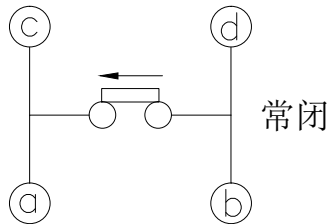
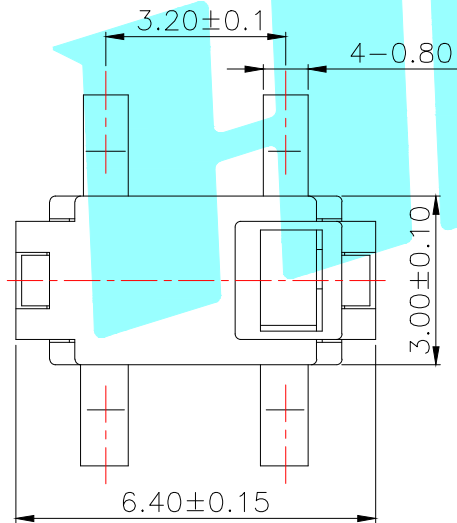
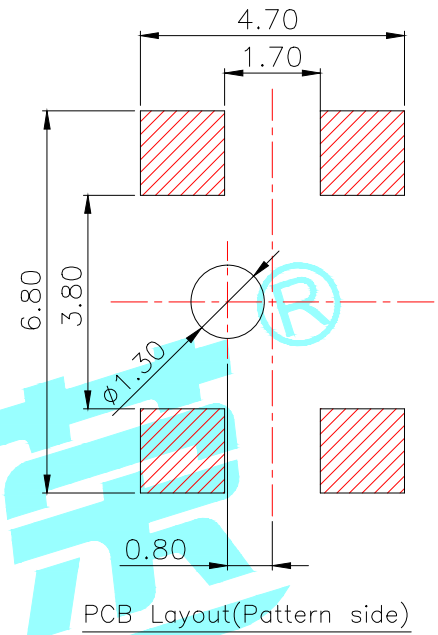
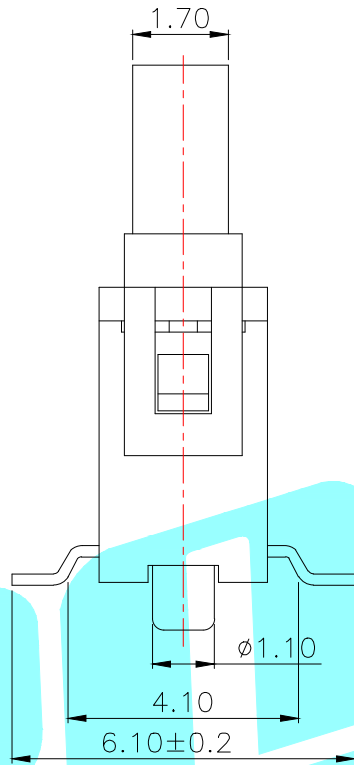
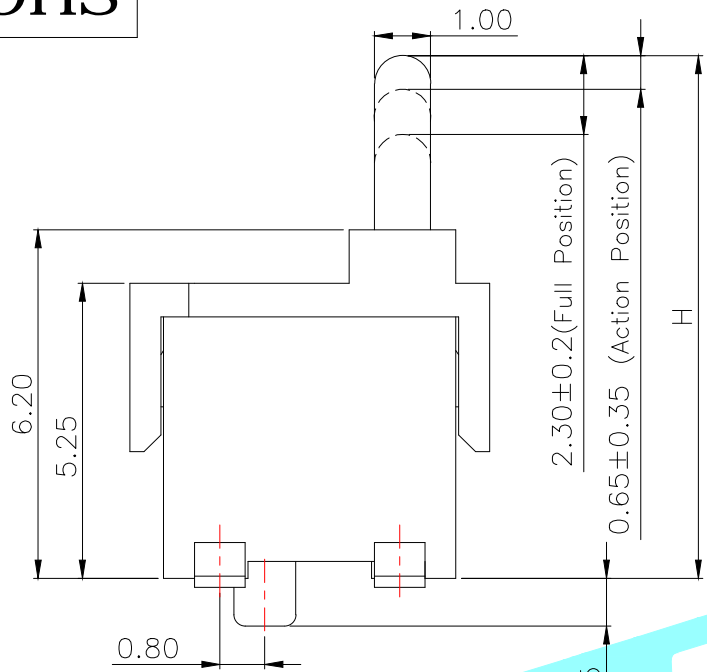
NOTE:  
 Rating: DC 16V 1A  
 Operating Force: 35±10gf  
 Lifetime: 30,000 Cycles

ITEM	PART NAME	TER'NO.	QTY.	MATERIAL	FINISHING	REMARK
⑤	Contact Spring	—	1	Phosphor Bronze	Ag Plated	—
④	Terminal	—	4	Phosphor Bronze	Ag Plated	—
③	Base	—	1	NYLON	Black	—
②	Cover	—	1	NYLON	Black	—
①	Knob	—	1	NYLON	Black	—

APPROVALS		DATE	HRO 韓路 ELECTRONICS CO.,LTD				
DRAWN	LIUCAN	2021.7.12	TITLE:	DETECTOR SWITCHS			
CHECKED			PART NO.	K5-1130SA-K□			
APPROVALS			UNIT: mm	SCALE: 1:1	PROJ:		
TOLERANCES ARE		30~以上 10~30 5~10 ~ 5	±0.30 ±0.20 ±0.15 ±0.10	ANGLE	±2'	DRAWING NO.	
ECN NO.	REV.	DATE.	DESCRIPTION.	CHANGE.	CHECK.	APPRO.	SHEET 1 OF 1

ECN NO.	REV.	DATE.	DESCRIPTION.	CHANGE.	CHECK.	APPRO.
—	A	—	NEW	—	—	—

ROHS



Circuit Diagram

PART NO.	H
K5-1130SA-B1	8.7
K5-1130SA-B2	9.0
K5-1130SA-B3	9.3
K5-1130SA-B4	10
K5-1130SA-B5	11

NOTE:  
 Rating: DC 16V 1A  
 Operating Force: 35±10gf  
 Lifetime: 30,000 Cycles

ITEM	PART NAME	TER'NO.	QTY.	MATERIAL	FINISHING	REMARK
⑤	Contact Spring	—	1	Phosphor Bronze	Ag Plated	—
④	Terminal	—	4	Phosphor Bronze	Ag Plated	—
③	Base	—	1	NYLON	Black	—
②	Cover	—	1	NYLON	Black	—
①	Knob	—	1	NYLON	Black	—

APPROVALS		DATE		HRO 韓泰® ELECTRONICS CO.,LTD		
DRAWN	LIUCAN	2021.7.12		TITLE:	DETECTOR SWITCHES	
CHECKED				PART NO.	K5-1130SA-B□	
APPROVALS				UNIT: mm	SCALE: 1:1	PROJ:
TOLERANCES ARE			30~以上 ±0.30	ANGLE		
			10~30 ±0.20			
			5~10 ±0.15			
			~ 5 ±0.10			
			±2'	DRAWING NO.		SHEET 1 OF 1

ECN NO.	REV.	DATE.	DESCRIPTION.	CHANGE.	CHECK.	APPRO.
—	A	—	NEW	—	—	—